



ENGLISH

**Datasheet**

# RS PRO INDUCTIVE PROXIMITY SENSORS

Stock No: 2066137





## Detailed technical data

### Features

Housing	Cylindrical thread design
Housing	Short-body
Thread size	M12 x 1
Diameter	Ø 12 mm
Sensing range $S_n$	4 mm
Safe sensing range $S_a$	3.24 mm
Installation type	Flush
Switching frequency	2,000 Hz
Connection type	Male connector M12, 4-pin 1)
Switching output	PNP
Output function	NO
Electrical wiring	DC 3-wire
Enclosure rating	IP68 2) IP69K 3)
Special features	Resistant against coolant lubricants, Visual adjustment indicator
Special applications	Zones with coolants and lubricants, Mobile machines, Difficult application conditions

1) With gold plated contact pins.

2) According to EN 60529.

3) According to ISO 20653:2013-03.

### Mechanics/electronics

Supply voltage	10 V DC ... 30 V DC
Ripple	≤ 10 %
Voltage drop	≤ 2 V 1)
Current consumption	10 mA 2)
Hysteresis	3 % ... 20 %
Reproducibility	≤ 2 % 3) 4)

Temperature drift (of S <sub>r</sub> )	± 10 %
EMC	According to EN 60947-5-2
Continuous current I <sub>a</sub>	≤ 200 mA
Short-circuit protection	✓
Reverse polarity protection	✓
Power-up pulse protection	✓
Shock and vibration resistance	100 g / 2 ms / 500 cycles; 150 g / 1 Mio cycles; 10 Hz ... 55 Hz / 1 mm; 55 Hz ... 500 Hz / 60 g
Ambient operating temperature	-40 °C ... +100 °C
Housing material	Stainless steel V2A, DIN 1.4305 / AISI 303
Sensing face material	Plastic, LCP
Housing length	45 mm
Thread length	28 mm
Tightening torque, max.	Typ. 32 Nm <sup>5)</sup>
Items supplied	Mounting nut, V2A stainless steel, with locking teeth (2x)
Protection class	II <sup>6)</sup>
UL File No.	E181493

1) At I<sub>max</sub>.

2) Without load.

3) U<sub>b</sub> and T<sub>a</sub> constant.

4) Of S<sub>r</sub>.

5) Valid if toothed side of nut is used.

6) Reference voltage DC 50 V.

### Safety-related parameters

MTTF <sub>D</sub>	1,971 years
DC <sub>avg</sub>	0%


### Reduction factors

Note	The values are reference values which may vary
St37 steel (Fe)	1
Stainless steel (V2A, 304)	Approx. 0.65
Aluminum (Al)	Approx. 0.35
Copper (Cu)	Approx. 0.24
Brass (Br)	Approx. 0.38

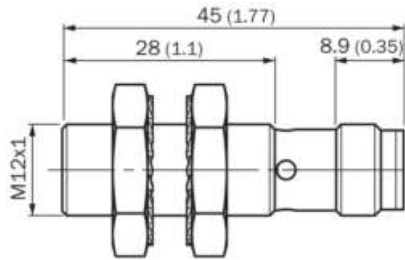
### Installation note

Remark	Associated graphic see "Installation"
B	12 mm
C	12 mm
D	12 mm
F	32 mm



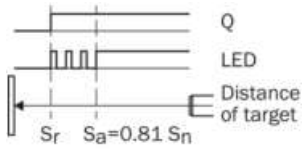
## Dimensional drawing (Dimensions in mm (inch))

Short-body housing, connector M12, flush



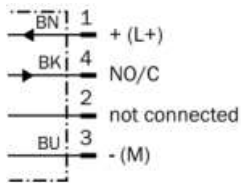
## Adjustments

Installation aid



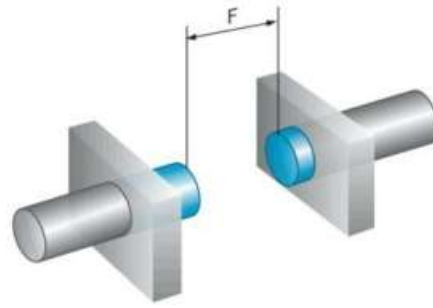
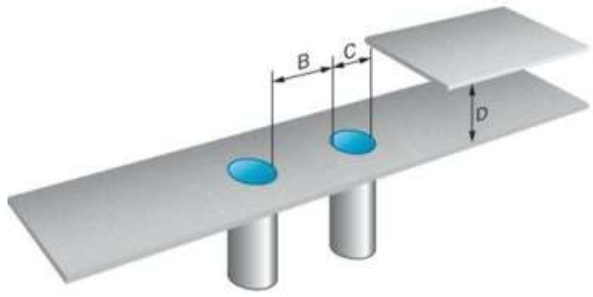
## Connection diagram

Cd-456



## Instruction for installation

Flush installation



## Operating reserve

Response diagram

Distance in mm (inch)

