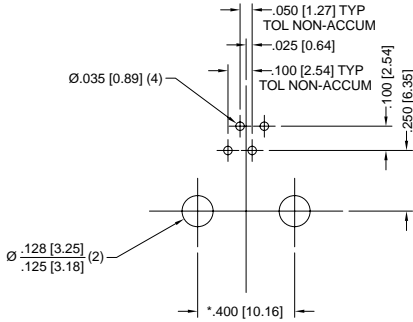


Variations

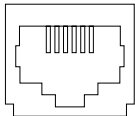
Footprint Configuration

Four-Contact, Six-Position Unshielded

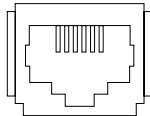


Flange Options

No Flange (NF)

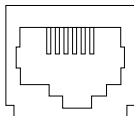


Panel Stop (FLS)

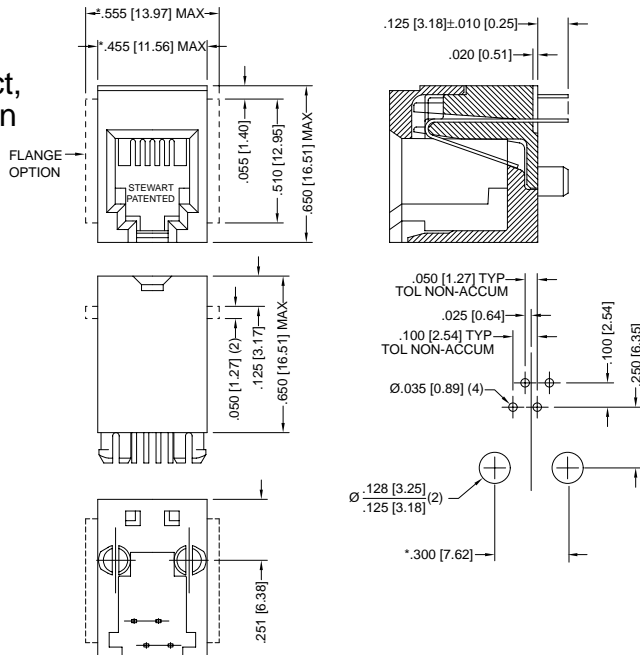


Keying Option

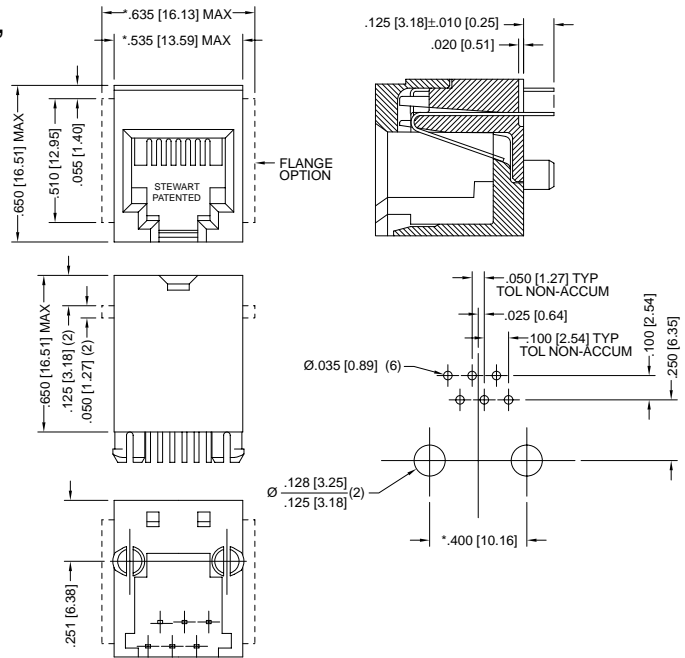
OST (MMJ)



Four-Contact, Four-Position Unshielded



Six-Contact, Six-Position Unshielded



*Dimension is central about center line.

Quick Reference Chart

Description		Options			
Series	Contacts Inserted	Contact Positions	Flange Options		Keying Options
			FLS	NF	OST (MMJ)
65	4	4	●	●	
65	4	6	●	●	●
65	6	6	●	●	●

¹Typical applications.

Note: Configurations shown are the most common for typical applications.

For availability of other configurations not listed, consult Stewart.

All dimensions are in inches with metric values in brackets.

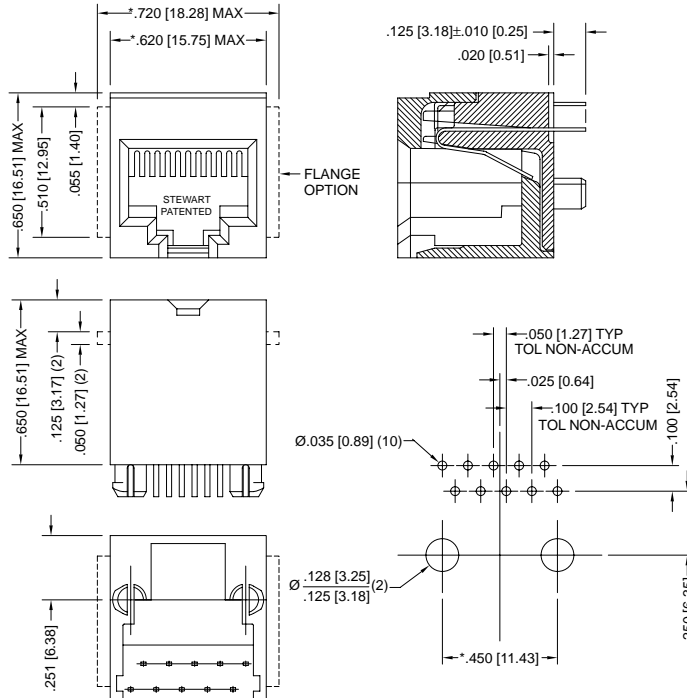
PC-Mount, Modular Jacks

• Unshielded • Vertical

65 Series

Variations

Ten-Contact, Ten-Position Unshielded



*Dimension is central about center line.

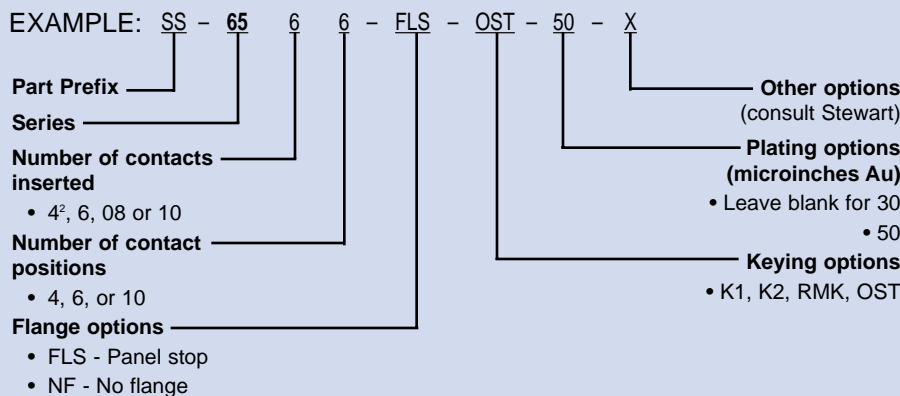
Quick Reference Chart

Description				Options				
Series	Contacts Inserted	Contact Positions	Flange Options		Keying Options			
			FLS	NF	K1	K2	RMK	
RJ-45 ¹	65	04	10	●	●	●	●	●
	65	08	10	●	●	●	●	●
	65	10	10	●	●	●	●	●

¹Typical applications.

Note: Configurations shown are the most common for typical applications. For availability of other configurations not listed, consult Stewart.

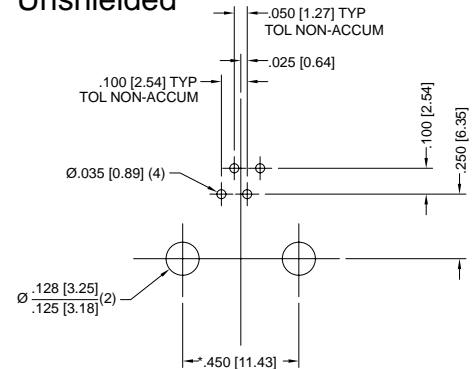
How to Order



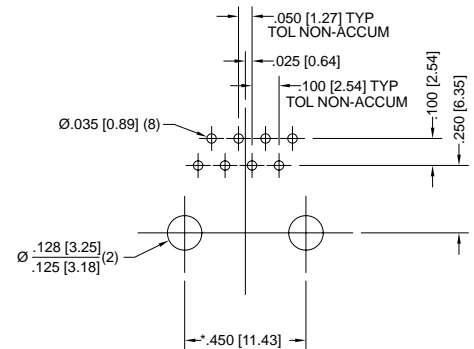
²Use 04 when referring to four-contact, ten-position jacks. All dimensions are in inches with metric values in brackets.

Footprint Configurations

Four-Contact, Ten-Position Unshielded

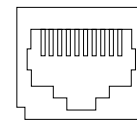


Eight-Contact, Ten-Position Unshielded

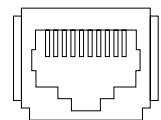


Flange Options

No Flange (NF)

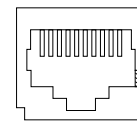


Panel Stop (FLS)

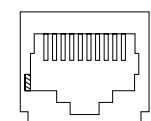


Keying Options

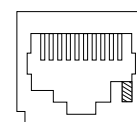
K1-Key



K2-Key



RMK-Key

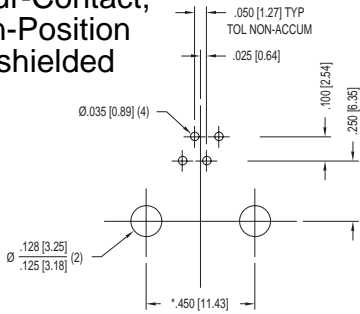


Cutout

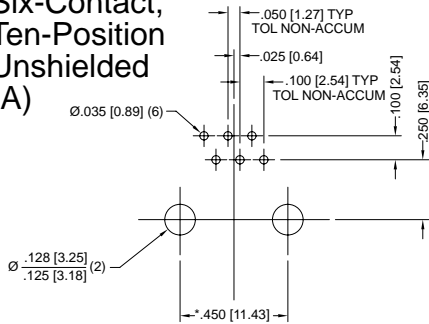
Variations

Footprint Configurations

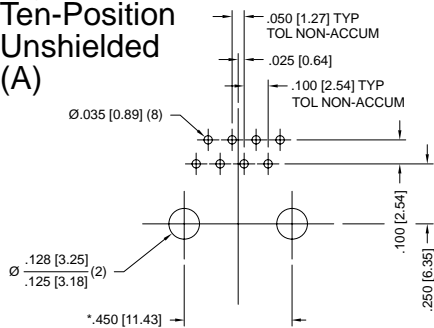
Four-Contact, Ten-Position Unshielded (A)



Six-Contact, Ten-Position Unshielded (A)

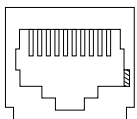


Eight-Contact, Ten-Position Unshielded (A)

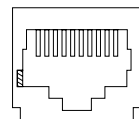


Keying Options

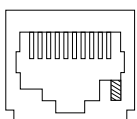
K1-Key



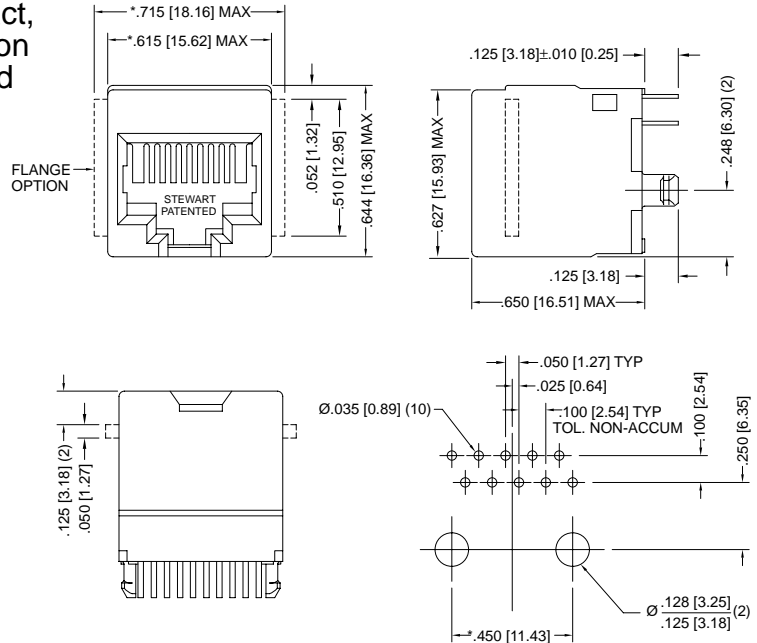
K2-Key



RMK-Key



Ten-Contact, Ten-Position Unshielded Radiused Edges (A)



*Dimension is central about center line.

Quick Reference Chart

Description					Options				
Series	Contacts Inserted	Contact Positions	Radiused Edges (A)	Flange Options		Keying Options			
				FLS	NF	K1	K2	RMK	
RJ-45 ¹	65	04	10	●	●	●	●	●	
	65	06	10	●	●	●	●	●	
	65	08	10	●	●	●	●	●	
	65	10	10	●	●	●	●	●	

¹Typical applications.

Note: Configurations shown are the most common for typical applications. For availability of other configurations not listed, consult Stewart.

How to Order

EXAMPLE: SS - 65 10 10 - A - FLS - K1 - 50 - X

Part Prefix — SS
 Series — 65
 Number of contacts inserted — 10
 • 04, 06, 08 or 10
 Number of contact positions — 10
 • 10
 Radiused Edges — A

Other options (consult Stewart)
 Plating options (microinches Au)
 • Leave blank for 30
 • 50
 Keying options
 • K1, K2, RMK
 Flange options
 • FLS - Panel stop
 • NF - No flange

All dimensions are in inches with metric values in brackets.