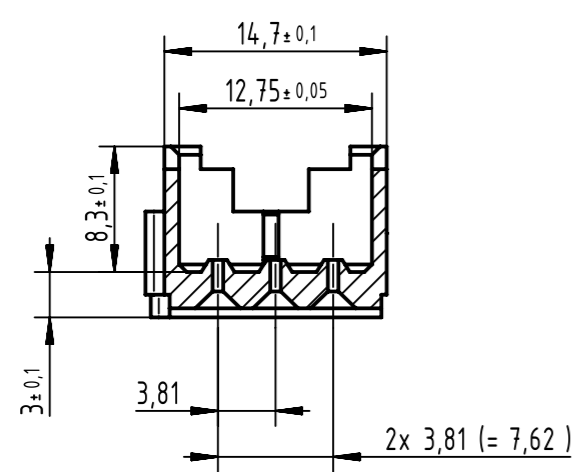
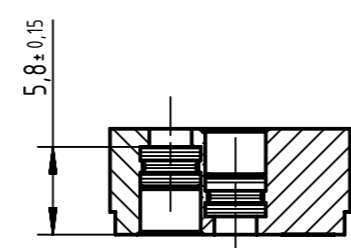


A-A (2:1) 90°



B-B (2:1) 90°



min. clearance and creepage

	clearance in mm	creepage in mm
contact-contact	3.0	3.1
contact-ground	3.7	3.5

09060029921	3.2-4.0	13mm±0.1	0	without standoff, with insert nuts
09060029922	1.6-2.4	13mm±0.1	1.6	with standoff 1.6mm, with insert nuts
number	PCB t±10%	contact length	a±0.1	remarks
All Dimensions in mm Original Size DIN A3		Scale 1:1	Free size tol.	Ref. Sub.
All rights reserved Department EC PD - DE		Created by TADJE	Inspected by DAHMS	Standardisation HOFFMANN
HARTING Electronics GmbH D-32339 Espelkamp		Title DIN Power type F - shroud with insert nuts	Date 2013-08-13	State Final Release
		Type TB	Number 0906002992X	Doc-Key / ECM-Nr. 100516237/UGD/001/A 50000058389 Rev. A Page 1/1