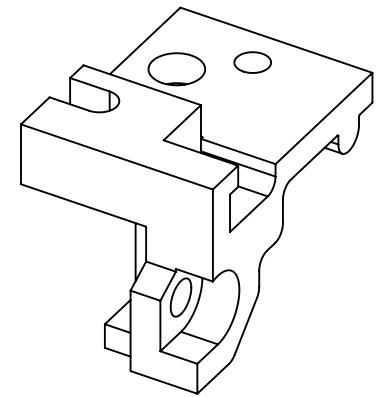
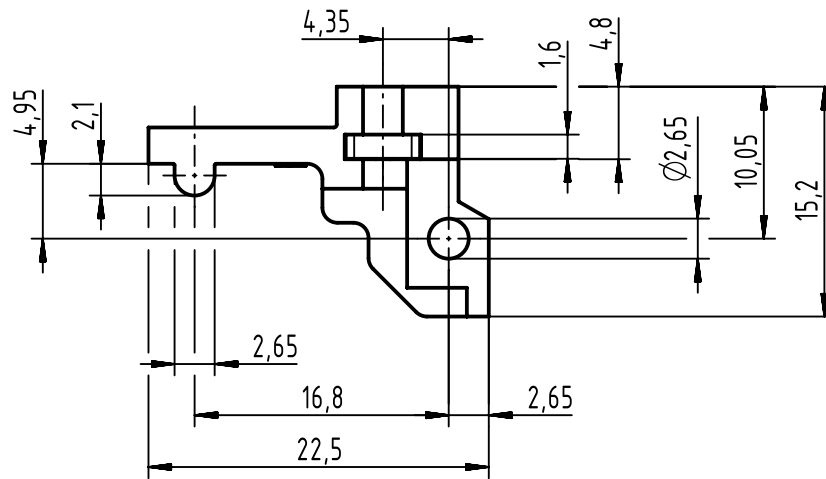
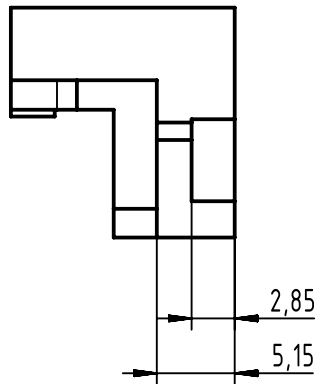
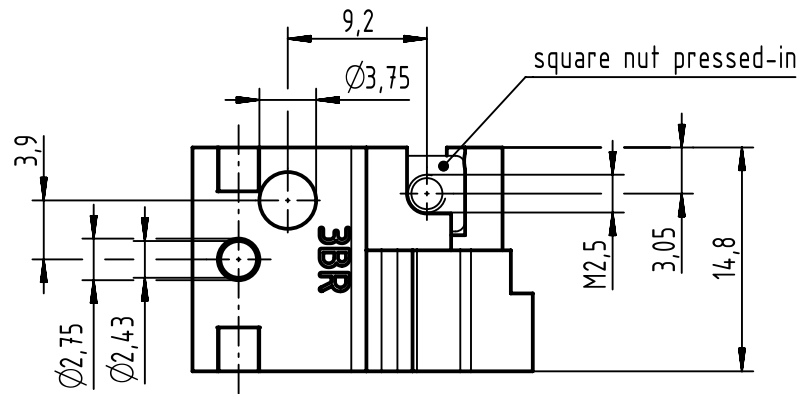



A

B

C

D



	All rights reserved Department EC PD - DE	All Dimensions in mm Original Size DIN A4		Scale 2:1	Free size tol.		Ref.	
		HARTING Electronics GmbH D-32339 Espelkamp	Created by KAHLERK	Inspected by ZWAHR	Standardisation HOFFMANN	Date 2017-03-17	State Final Release	Sub.
Title fixing bracket BR 15mm + nut							Doc-Key / ECM-Nr. 100106600/UGD/007/B 500000116938	
				Type TB	Number 09060019935		Rev. B	Page 1/1