



PART NAME

EXTRUDED ALUMINUM IP65 PCB ENCLOSURES

PART No.

EXN-23362 (SEE TABULATION FOR COMBINATIONS)

REVISION DATE

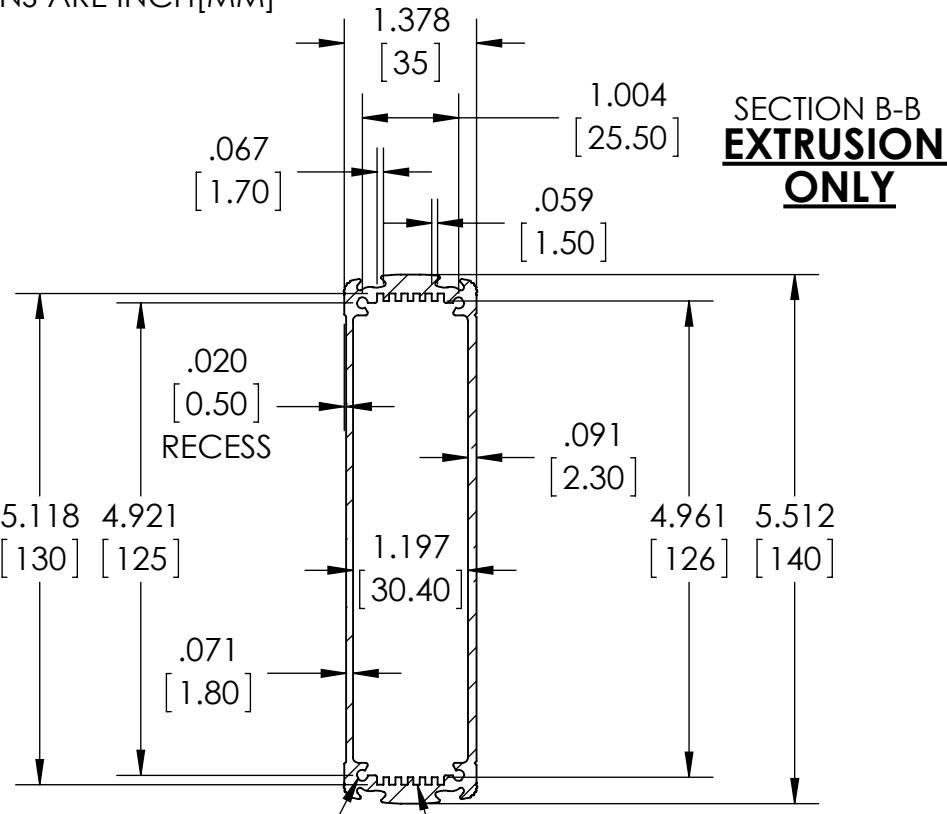
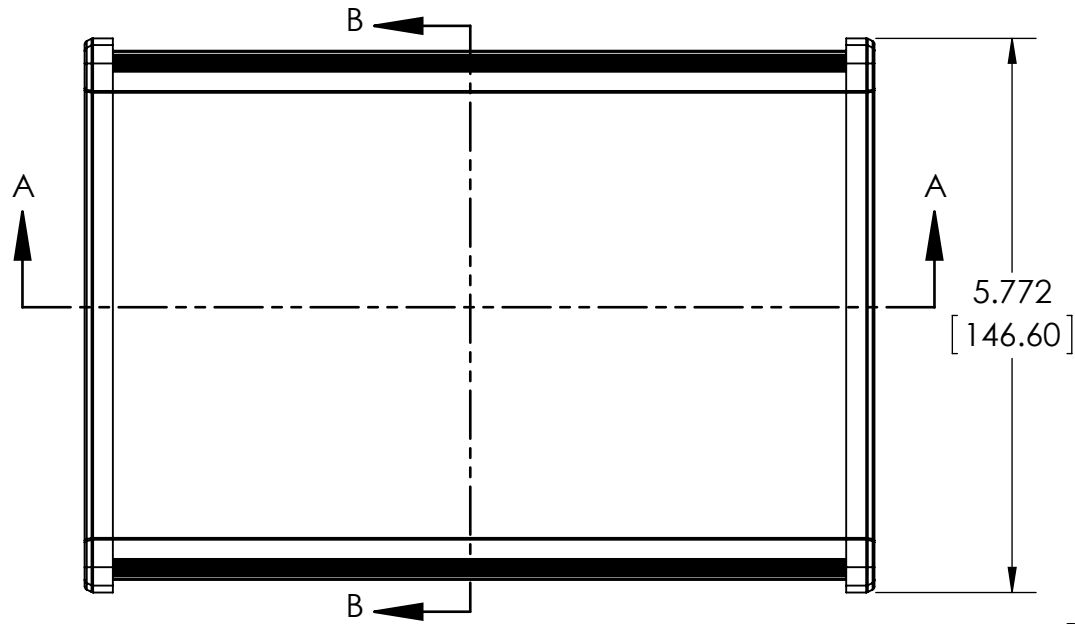
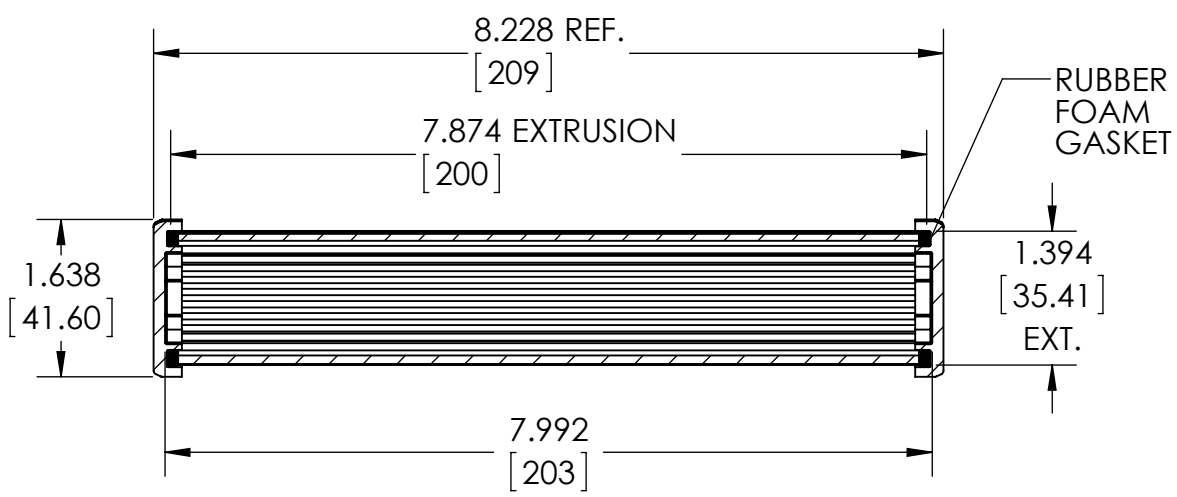
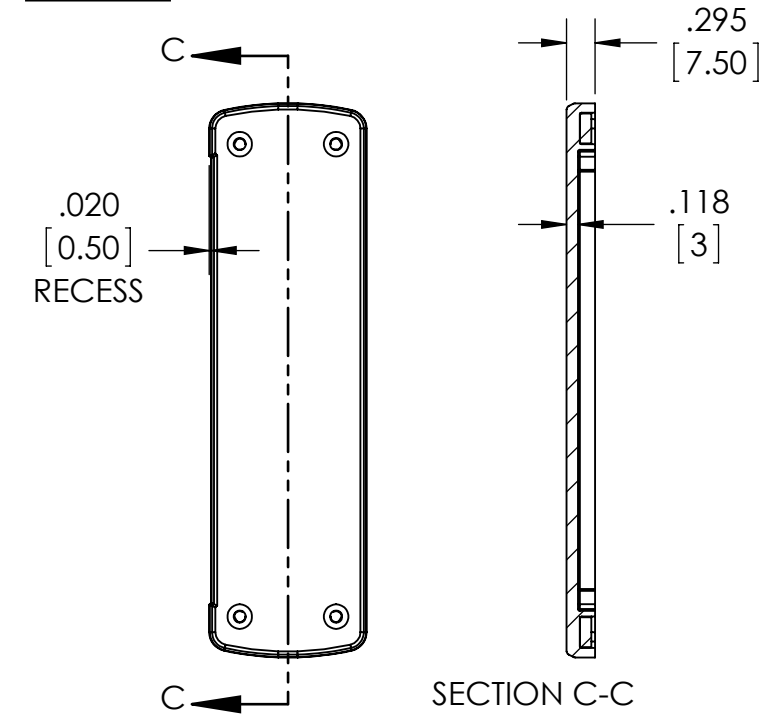
10-23-15

PART NUMBER	ALUM. COVER	PLASTIC COVER	BODY COLOR
EXN-23362-BK	BLACK	-	BLACK
EXN-23362-BKP	-	BLACK	BLACK
EXN-23362-BL	BLACK	-	BLUE
EXN-23362-BLP	-	TRANSLUCENT BLUE	BLUE
EXN-23362-GD	BLACK	-	GOLD
EXN-23362-GDP	-	CLEAR	GOLD
EXN-23362-RD	BLACK	-	RED
EXN-23362-RDP	-	IR RED	RED
EXN-23362-SV	BLACK	-	SILVER
EXN-23362-SVP	-	CLEAR	SILVER

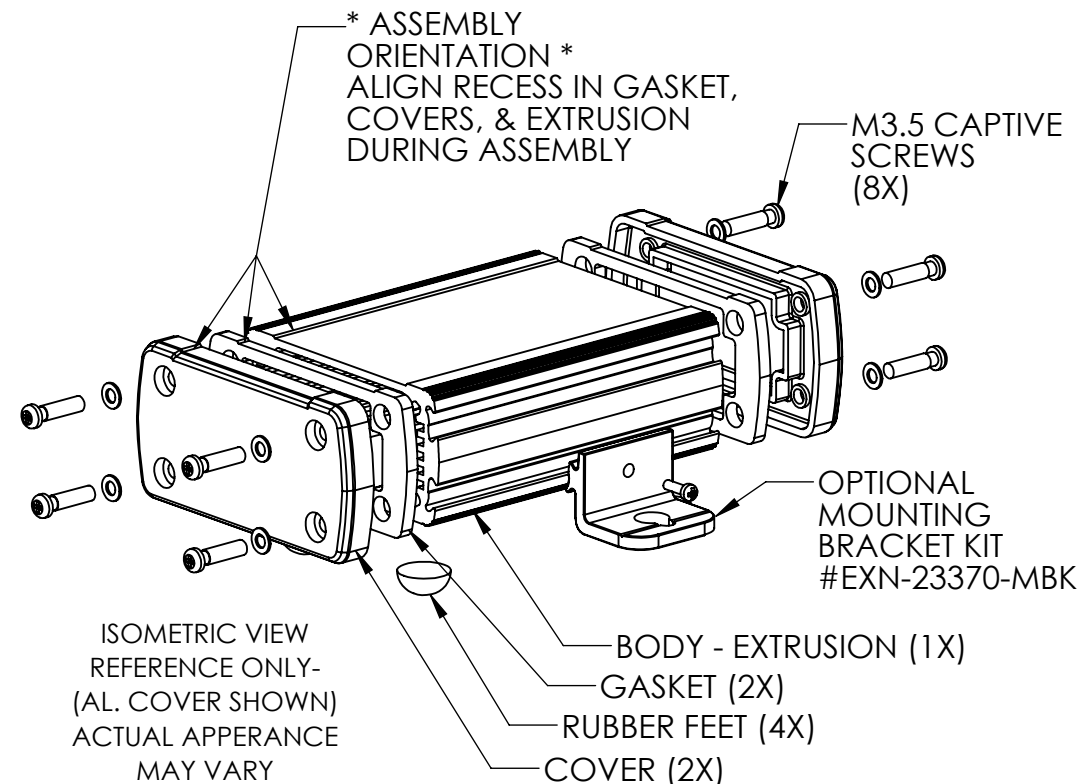
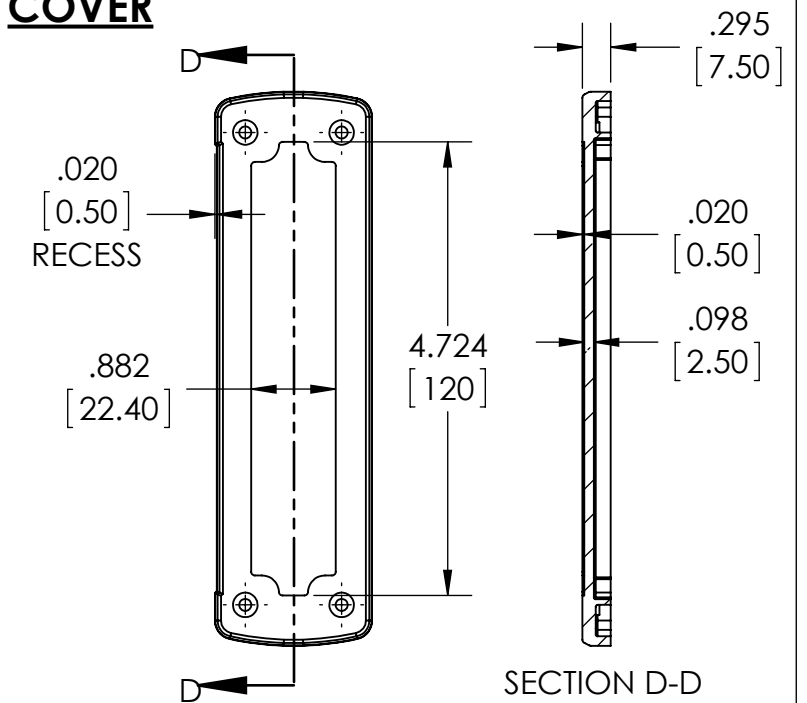
MATERIAL: ALUMINUM EXTRUSION BODY PROVIDED WITH ALUMINUM COVER (2X) AND GASKETS OR POLYCARBONATE COVER (2X) AND GASKETS - NOT ASSEMBLED

DIMENSIONS ARE INCH[MM]

DRAWING FOR REFERENCE
WE RESERVE THE RIGHT TO MAKE CHANGES TO OUR STANDARD PRODUCTS. PLEASE CONSULT WITH BUD INDUSTRIES PRIOR TO USING THIS DRAWING FOR DESIGN PURPOSE.

**DIE CAST ALUMINUM COVER**SECTION A-A
SCALE 1 : 2

DIMENSIONS MAY VARY DEPENDING ON THE COMPRESSION OF THE GASKETS

ISOMETRIC VIEW
REFERENCE ONLY-
(AL. COVER SHOWN)
ACTUAL APPEARANCE
MAY VARY**PLASTIC COVER**

SECTION D-D

Mouser Electronics

Authorized Distributor

Click to View Pricing, Inventory, Delivery & Lifecycle Information:

Bud Industries:

[EXN-23362-GDP](#) [EXN-23362-RDP](#) [EXN-23362-SV](#) [EXN-23362-GD](#) [EXN-23362-BKP](#) [EXN-23362-RD](#) [EXN-23362-BK](#) [EXN-23362-BLP](#) [EXN-23362-SVP](#) [EXN-23362-BL](#)