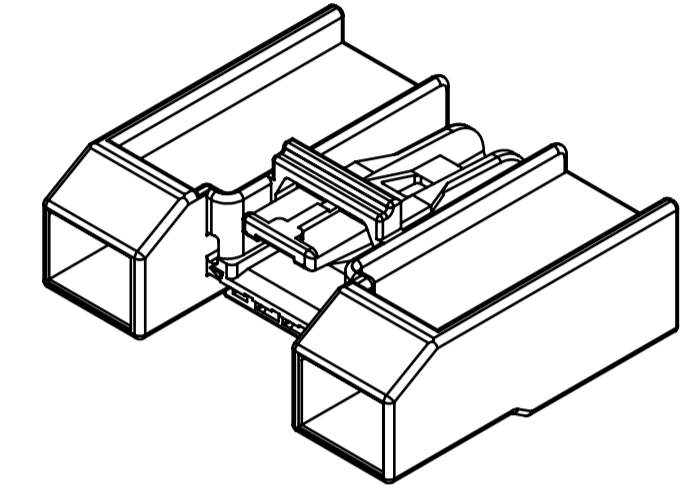
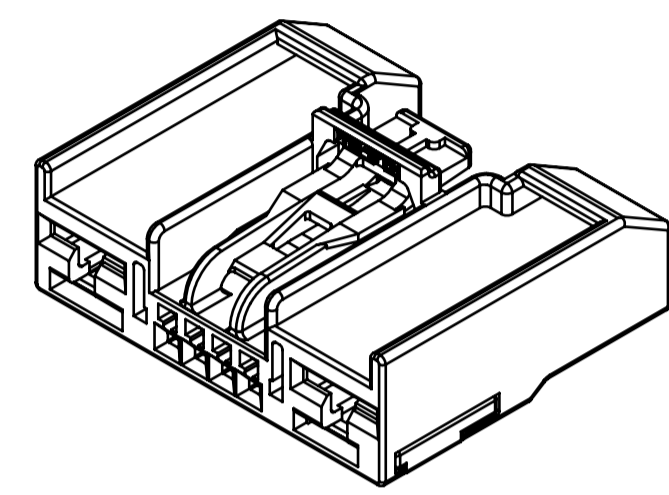
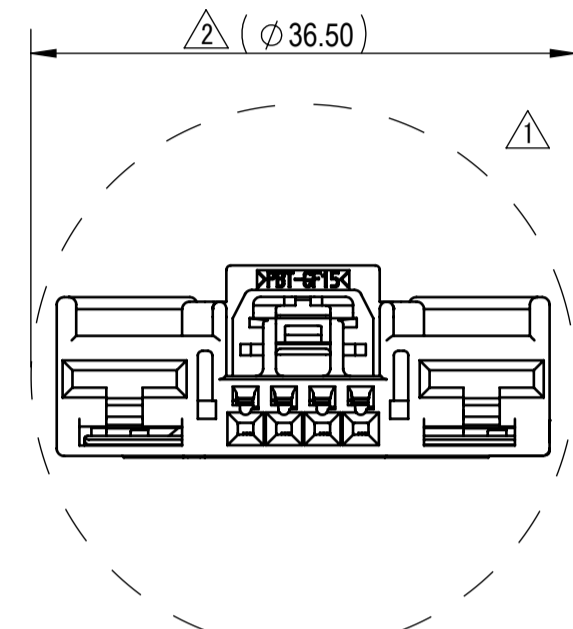
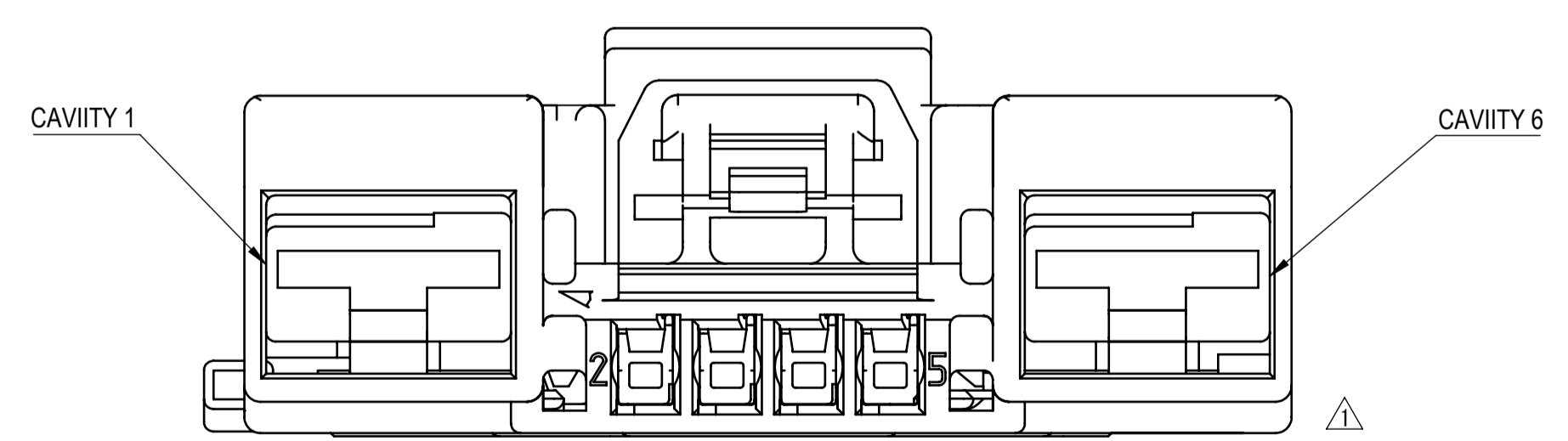


SUB-ASSEMBLY PART NUMBER		NO.	PART NUMBER	PART NAME	MATERIAL	COLOR	QUANTITY
SEE TABLE 2	①	SEE TABLE 2	6P (4P×0.64 GEN Y + 2P×6.3 YESC) UNSEALED FEMALE HOUSING	PBT-GF15	SEE TABLE 2	1	
	②	7172-0737	6P (4P×0.64 GEN Y + 2P×6.3 YESC) UNSEALED FEMALE ISL	PA66-GF35	NATURAL	1	
SEE TABLE 2	①	SEE TABLE 2	6P (4P×0.64 GEN Y + 2P×6.3 YESC) UNSEALED FEMALE HOUSING	PBT-GF15	SEE TABLE 2	1	
	②	7172-0737	6P (4P×0.64 GEN Y + 2P×6.3 YESC) UNSEALED FEMALE ISL	PA66-GF35	NATURAL	1	
	③	7172-1339-50	6P (4P×0.64 GEN Y + 2P×6.3 YESC) UNSEALED CPA	PBT-GF30	RED	1	

SUB-ASSEMBLY PART NUMBER		HOUSING PART NUMBER	KEYWAY	CPA	COLOR	MASS (g)
7287-9355-30	7187-9355-30	A	N	BLACK	(4.32)	
7289-7139-30	7187-9355-30	A	Y	BLACK	(4.65)	
△ 7298-4407-40	7198-4407-40	B	N	LIGHT GRAY	(4.32)	
△ 7298-4408-40	7198-4407-40	B	Y	LIGHT GRAY	(4.65)	



- NOTES:
- PARTS MUST BE PURCHASED FROM YAZAKI.
  - PARTS MUST BE FREE OF FLASH AND IMPERFECTIONS THAT AFFECT FUNCTION.
  - APPLICABLE TERMINAL: SEE 7116-7277-02:R DRAWING (GEN Y 0.64) OR C-1924955 DRAWING (TYCO GEN Y 0.64)  
MAX WIRE OD: 2.08mm (CAVITIES 2-5)  
SEE 7116-4120-02:R DRAWING (YESC 6.3)  
MAC WIRE OD: 4.90 (CAVITIES 1 & 6)
  - MATING PART NUMBER: SEE 7287-9355-30-A
  - PART SATISFIES GMW3191, DEC. 2007. (T2V1/S1/MF2)
  - PART TO COMPLY WITH YPES-31-038 REQUIREMENTS.
  - THIS DIMENSION SHOWS THE PRE-SET POSITION OF THE ISL.
  - THIS DIMENSION SHOWS THE PRE-SET POSITION OF THE CPA.
  - THIS DRAWING IS TO BE USED FOR INTERNAL YAZAKI PSW SUBMISSION.
  - HANDLING MANUAL NUMBER: YPES-15-1320E
  - # INDICATES THE DIMENSION IS DIVIDED EVENLY ABOUT THE CENTERLINE.



△	DATE	REVISION RECORD	NO.	CHKD
△	09-11-2019	REDRAWN TO LATEST STANDARDS. ISL SHAPE CHANGED, ADDED KEYWAY B CONFIGURATIONS & REVISED/ADDED NOTE	C19-A810	MS
△	05-20-2016	UPDATED NOTES & LAYOUT ADDITION OF CPA	C16-A381	DZ
-	08-30-2012	SHORT DESCRIPTION	C12-A764	MMR

GENERAL TOLERANCE											
	10MAX	50MAX	100MAX	250MAX	250OVR	R5 MAX	R10 MAX	R20 MAX	R20 OVR	ANGLE	ECCENT
A	±0.15	±0.20	±0.30	±0.50	±0.75					±3°	0.1
B	±0.20	±0.30	±0.55	±0.95	±1.40	±0.20	±0.30	±0.50	±2.50	±3°	0.1
©	±0.30	±0.50	±0.80	±1.40	±2.00					±3°	0.15
LET	SPECIFIED										

CUSTOMER		CUSTOMER DWG NO.		MATL SPEC.	TREAT. & FIN.
CUSTOMER PART NO.		TRIAL PART NO.		SEE TABLE	N/A
OFFICE YNA		VENDOR		NAME	
VENDOR NO.		APPROVED		6P (4P×0.64 GEN Y+ 2P×6.3 YESC) UNSEALED FEMALE CONNECTOR SUB-ASSEMBLY	
DWG TYPE R		DWG SOURCE 7287-9355-30:M		PART NO. 7287-9355-30, ETC.	
DWG DATE 08-30-2012		DWG DATE 08-30-2012		CH. CODE	
UNIT mm		DESIGN		DWG NO. 7287-9355-30:R	
SCL 5/1		DRAWN		YAZAKI CORPORATION	
ANGLE 3		JONATHAN MILLER		02-02-2012	
PART NO. 7287-9355-30, ETC.		MICHELLE SANTILLAN		11-10-2020	

# Mouser Electronics

Authorized Distributor

Click to View Pricing, Inventory, Delivery & Lifecycle Information:

Yazaki:

[7287935530](#)