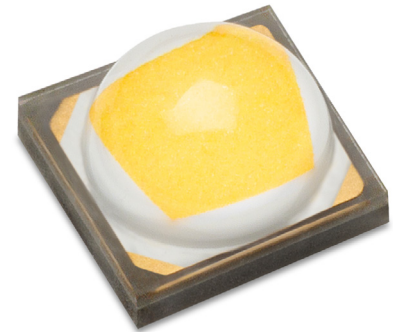


LUXEON HL2X

Higher performance, color stability, lumen maintenance, and longevity.

LUXEON HL2X is a high-power domed emitter designed specifically for outdoor and industrial applications like streetlights and high bay luminaires. The package is designed to deliver superior output, efficacy, color stability and longevity regardless of application or environment.

LUXEON HL2X utilizes an industry standard 3535 package with 3-stripe footprint. This compatibility allows for efficient and simpler conversion to the better performing LUXEON HL2X from any other similar platform.



FEATURES AND BENEFITS

Most usable light in application with a design emphasis on Beam Angle, Field Angle, Color Over Angle, and Optical Efficiency performance

CSP die technology enables high efficacy and high driving current capability in unique applications

Industry standard 3535 package with 3-stripe footprint and radiation pattern matched to LUXEON TX for ease of design

DLC R9 enabled to offer best-in-class color quality for luminaires

Offered in two different Luminous Flux Performance categories for customer flexibility in design and application

PRIMARY APPLICATIONS

High Mast

Floodlights

Spotlights

High Bay

Low Bay

Torch

[More...](#)

Table of Contents

General Product Information	2
Product Test Conditions	2
Part Number Nomenclature	2
Lumen Maintenance	2
Environmental Compliance	2
Performance Characteristics	3
Product Selection Guide	3
Optical Characteristics	3
Electrical and Thermal Characteristics	4
Absolute Maximum Ratings	4
Operating Conditions	4
Characteristic Curves	5
Spectral Power Distribution Characteristics	5
Light Output Characteristics	6
Forward Current Characteristics	7
Radiation Pattern Characteristics	8
Product Bin and Labeling Definitions	10
Decoding Product Bin Labeling	10
Luminous Flux Bins	11
Color Bin Definitions	12
Forward Voltage Bins	13
Mechanical Dimensions	13
Reflow Soldering Guidelines	14
JEDEC Moisture Sensitivity	14
Solder Pad Design	15
Packaging Information	16
Pocket Tape Dimensions	16
Reel Dimensions	17

General Product Information

Product Test Conditions

LUXEON HL2X LEDs are tested and binned with a DC drive current of 700mA, at a junction temperature, T_j , of 85°C.

Part Number Nomenclature

Part numbers for LUXEON HL2X follow the convention below:

L 1 H X – **A A B B 2 C** 0 0 0 0 0 0 0

Where:

- A A** – designates nominal ANSI CCT (27=2700K, 30=3000K, 35=3500K, 40=4000K, 50=5000K, 57=5700K, 65=6500K)
- B B** – designates minimum CRI (70=70CRI, 80=80CRI, 90=90CRI)
- C** – designates performance options (0=Standard, P=High Flux Performance)

Therefore, the following part number is used for a LUXEON HL2X 3000K 70CRI LED:

L 1 H X – **3 0 7 0** 2 0 0 0 0 0 0 0 0

Lumen Maintenance

Please contact your local Sales Representative or Lumileds Technical Solutions Manager for more information about the long-term performance of this product.

Environmental Compliance

Lumileds LLC is committed to providing environmentally friendly products to the solid-state lighting market. LUXEON HL2X is compliant to the European Union directives on the restriction of hazardous substances in electronic equipment, namely the RoHS Directive 2011/65/EU and REACH Regulation (EC) 1907/2006. Lumileds LLC will not intentionally add the following restricted materials to its products: lead, mercury, cadmium, hexavalent chromium, polybrominated biphenyls (PBB) or polybrominated diphenyl ethers (PBDE).

Performance Characteristics

Product Selection Guide

Table 1. Product performance of LUXEON HL2X at 700mA, T_j=85°C.

NOMINAL CCT	MINIMUM R9 ^[3]	MINIMUM CRI ^[1]	LUMINOUS FLUX ^[2] (lm)		TYPICAL LUMINOUS EFFICACY (lm/W)	PART NUMBER
			MINIMUM	TYPICAL		
			700mA			
2700K	-40	70	280	295	151	L1HX-27702P0000000
3000K	-40	70	300	310	158	L1HX-30702P0000000
3500K	-40	70	310	325	166	L1HX-35702P0000000
4000K	-40	70	310	330	168	L1HX-40702P0000000
5000K	-40	70	310	330	168	L1HX-50702P0000000
5700K	-40	70	310	330	168	L1HX-57702P0000000
6500K	-40	70	310	330	168	L1HX-65702P0000000
2700K	-40	70	270	285	144	L1HX-2770200000000
3000K	-40	70	290	306	154	L1HX-3070200000000
3500K	-40	70	300	320	162	L1HX-3570200000000
4000K	-40	70	300	320	162	L1HX-4070200000000
5000K	-40	70	300	320	162	L1HX-5070200000000
5700K	-40	70	300	320	162	L1HX-5770200000000
6500K	-40	70	290	320	162	L1HX-6570200000000
3000K	0	80	250	280	143	L1HX-30802P0000000
4000K	0	80	280	300	153	L1HX-40802P0000000
5000K	0	80	290	310	158	L1HX-50802P0000000
5700K	0	80	290	310	158	L1HX-57802P0000000
2700K	0	80	240	260	131	L1HX-2780200000000
3000K	0	80	250	275	139	L1HX-3080200000000
3500K	0	80	260	280	141	L1HX-3580200000000
4000K	0	80	270	297	149	L1HX-4080200000000
5000K	0	80	280	300	151	L1HX-5080200000000
5700K	0	80	280	300	151	L1HX-5780200000000
3000K	50	90	210	228	116	L1HX-30902P0000000
4000K	50	90	240	255	130	L1HX-40902P0000000
5700K	50	90	240	260	133	L1HX-57902P0000000
2700K	50	90	190	210	106	L1HX-2790200000000
3000K	50	90	210	230	116	L1HX-3090200000000
3500K	50	90	210	230	116	L1HX-3590200000000
4000K	50	90	230	250	126	L1HX-4090200000000
5000K	50	90	230	250	126	L1HX-5090200000000
5700K	50	90	230	255	129	L1HX-5790200000000

Notes for Table 1:

1. Lumileds maintains a tolerance of ±2 on CRI.
2. Lumileds maintains a tester tolerance of ±6.5% on luminous flux measurements.
3. Lumileds maintains a tester tolerance of ±6.5 on R9 measurements.

Optical Characteristics

Table 2. Optical characteristics for LUXEON HL2X at 700mA, T_j=85°C.

PART NUMBER	TYPICAL TOTAL INCLUDED ANGLE ^[1]	TYPICAL VIEWING ANGLE ^[2]
L1HX-xxxx2x0000000	160°	120°

Notes for Table 2:

1. Total angle at which 90% of total luminous flux is captured.
2. Viewing angle is the off axis angle from the LED centerline where the luminous intensity is ½ of the peak value.

Electrical and Thermal Characteristics

Table 3. Electrical and thermal characteristics for LUXEON HL2X at 700mA, $T_j=85^\circ\text{C}$.

PART NUMBER	FORWARD VOLTAGE ^[1] (V_f)			TYPICAL TEMPERATURE COEFFICIENT OF FORWARD VOLTAGE ^[2] (mV/°C)	TYPICAL THERMAL RESISTANCE—JUNCTION TO SOLDER PAD (°C/W)
	MINIMUM	TYPICAL	MAXIMUM		
L1HX-xxxx200000000	2.65	2.83	3.00	-1.6	3.0
L1HX-xxxx2P0000000		2.80			2.6

Notes for Table 3:

1. Lumileds maintains a tolerance of $\pm 0.1\text{V}$ on forward voltage measurements.
2. Measured between 25°C and 110°C .

Absolute Maximum Ratings

Table 4. Absolute maximum ratings for LUXEON HL2X.

PARAMETER	MAXIMUM PERFORMANCE	
DC Forward Current ^[1, 2, 5]	2000mA	2500mA
Peak Pulsed Forward Current ^[1, 3]	2500mA	2500mA
LED Junction Temperature ^[1] (DC & Pulse)	135°C	125°C
ESD Sensitivity (ANSI/ESDA/JEDEC JS-001-2012)	Class 3B	
Operating Case Temperature ^[1]	-40°C to 135°C	
LED Storage Temperature	-40°C to 135°C	
Soldering Temperature	JEDEC 020c 260°C	
Allowable Reflow Cycles	3	
Reverse Voltage ^[4] (V_{reverse})	LUXEON LEDs are not designed to be driven in reverse bias	

Notes for Table 4:

1. Proper current derating must be observed to maintain the junction temperature below the maximum allowable junction temperature.
2. Residual periodic variations due to power conversion from alternating current (AC) to direct current (DC), also called "ripple," with frequencies $\geq 100\text{Hz}$ and amplitude $\leq 15\%$ of the maximum allowable DC forward current are acceptable, assuming the average current throughout each cycle does not exceed the maximum allowable DC forward current at the corresponding maximum junction temperature.
3. Pulsed operation with a peak drive current equal to the stated peak pulsed forward current is acceptable if the pulse on-time is $\leq 5\text{ms}$ per cycle and the duty cycle is $\leq 50\%$.
4. Transient reverse voltages and surge currents due to electrical switching or supply interruptions are acceptable if these events do not last for more than 10ms, the amplitude of the reverse voltage does not exceed 5V and the reverse current is less than 220uA.
5. For torch application with portable battery source, maximum surge transient current during the initial turn-on is 3.5A for 180ms and thereafter not to exceed DC maximum rating current and LED junction temperature.

Operating Conditions

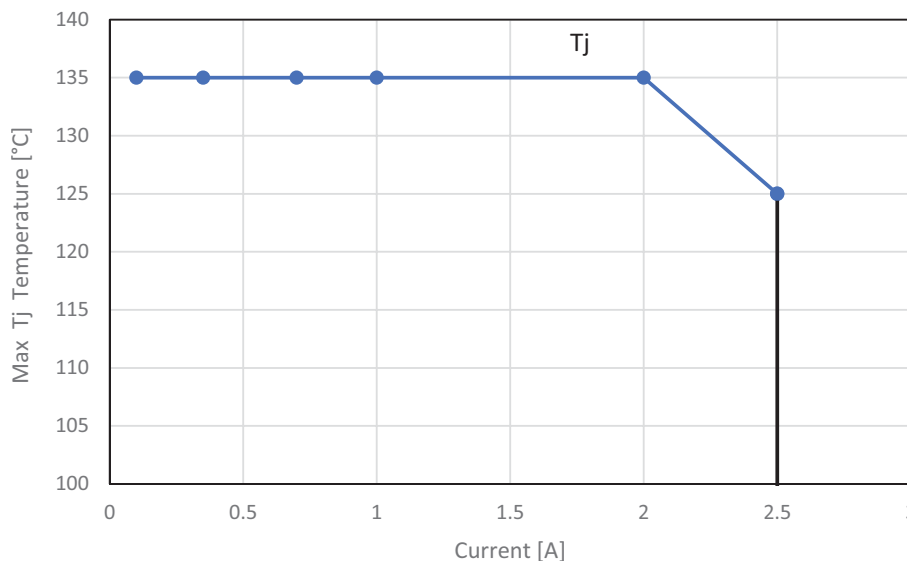


Figure 1. Maximum permissible operating conditions for LUXEON HL2X.

Characteristic Curves

Spectral Power Distribution Characteristics

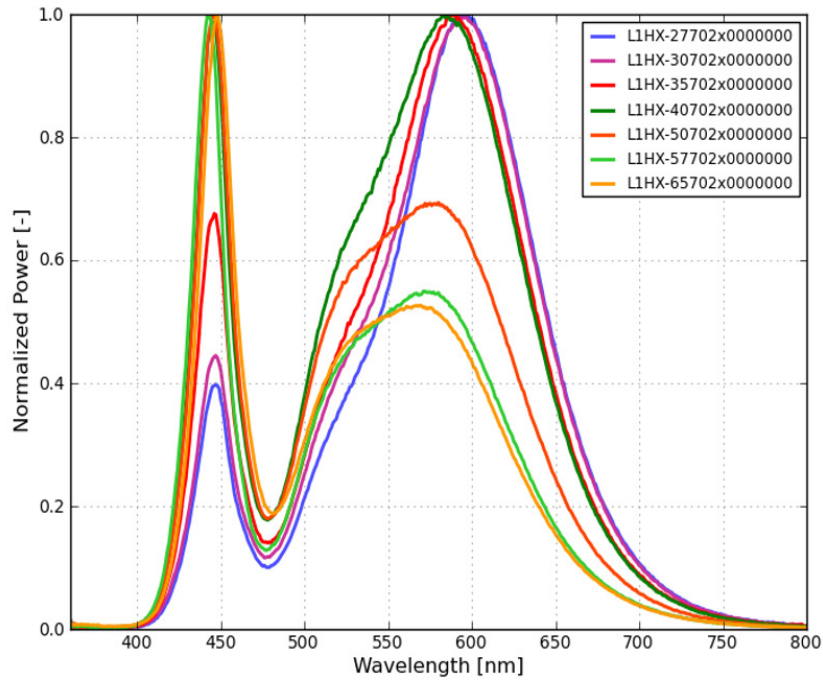


Figure 2a. Typical normalized power vs. wavelength for LUXEON HL2X 70 CRI at 700mA, $T_j=85^{\circ}\text{C}$.

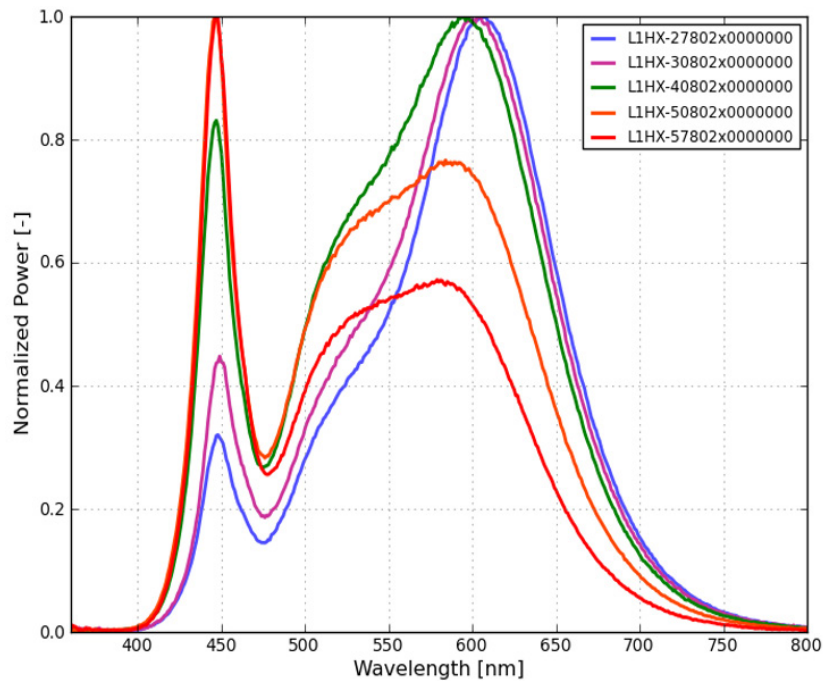


Figure 2b. Typical normalized power vs. wavelength for LUXEON HL2X 80 CRI at 700mA, $T_j=85^{\circ}\text{C}$.

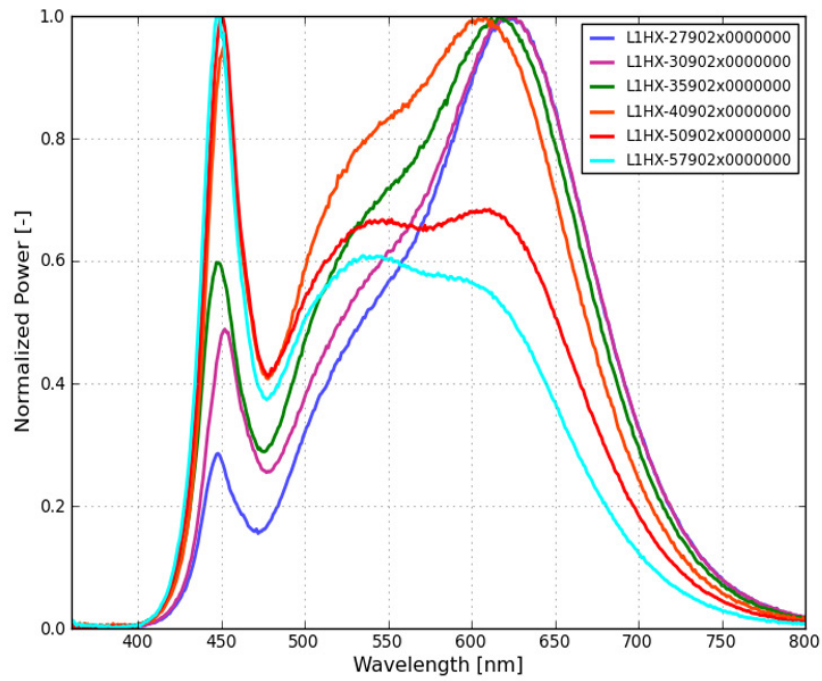


Figure 2c. Typical normalized power vs. wavelength for LUXEON HL2X 90 CRI at 700mA, $T_j=85^\circ\text{C}$.

Light Output Characteristics

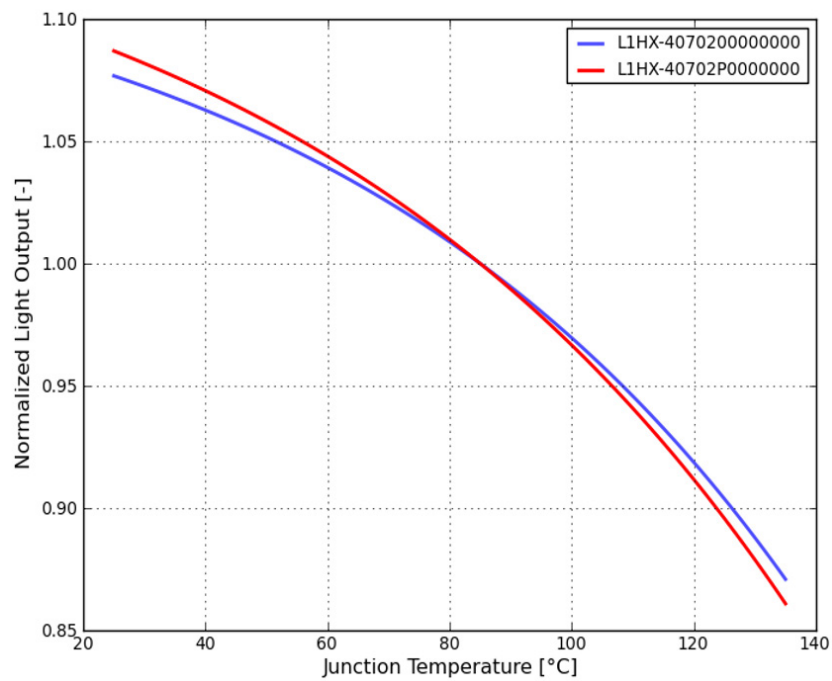


Figure 3a. Typical normalized light output vs. junction temperature for LUXEON HL2X (4000K 70CRI) at 700mA.

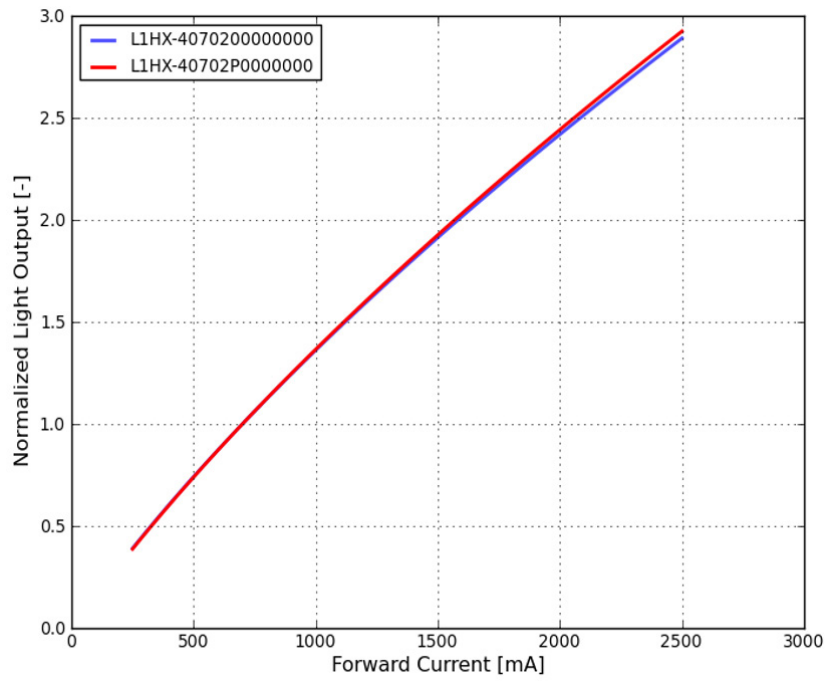


Figure 3b. Typical normalized light output vs. forward current for LUXEON HL2X (4000K 70CRI) at 700mA, $T_j=85^\circ\text{C}$.

Forward Current Characteristics

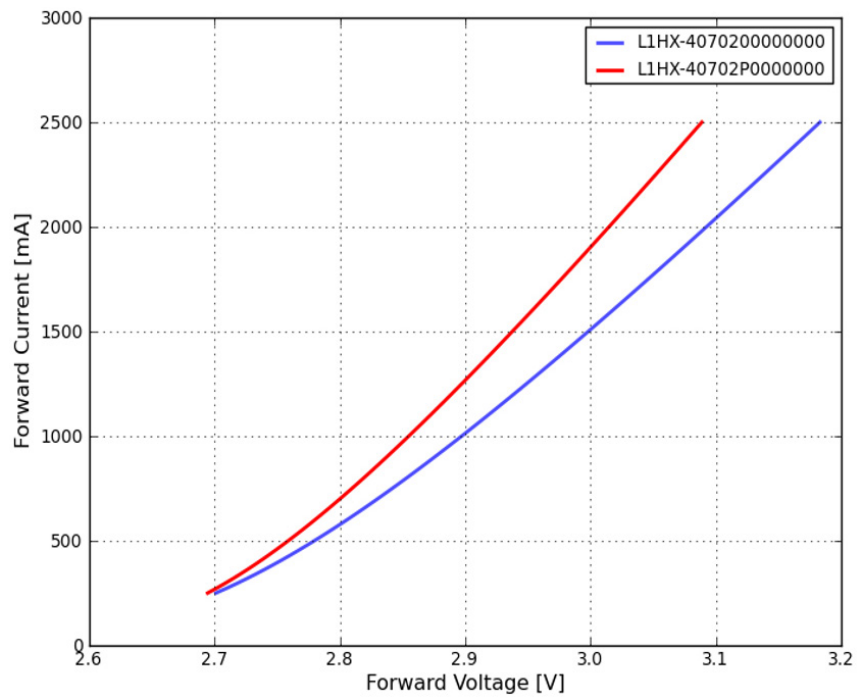


Figure 4. Typical forward current vs. forward voltage for LUXEON HL2X (4000K 70 CRI) at $T_j=85^\circ\text{C}$.

Radiation Pattern Characteristics

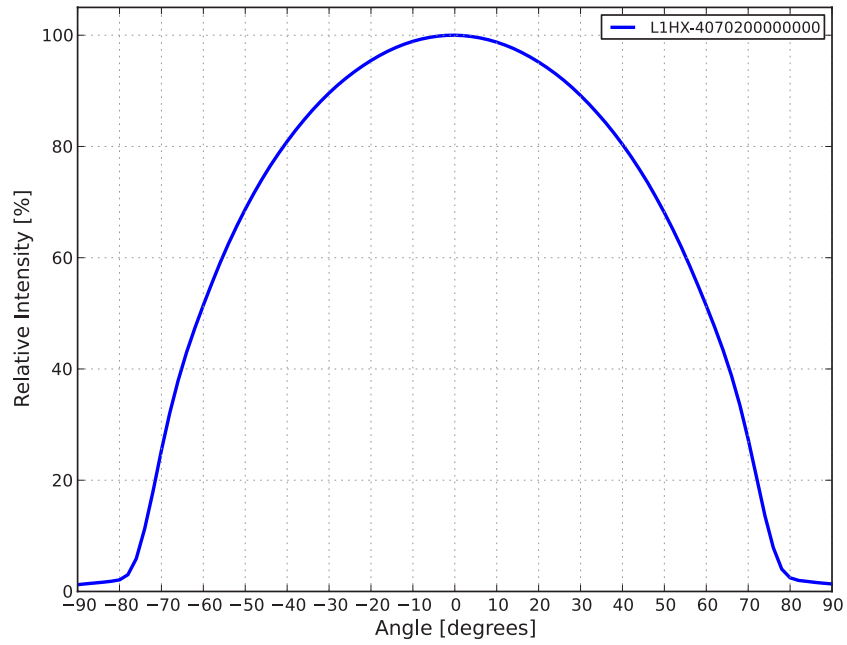


Figure 5a. Typical radiation pattern for LUXEON HL2X at 700mA, $T_j=85^{\circ}\text{C}$.

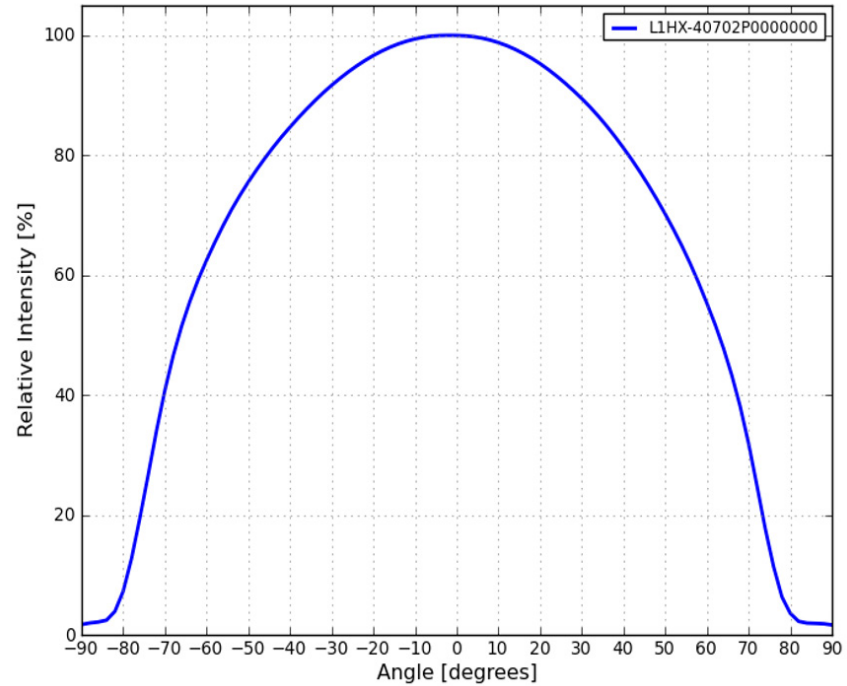


Figure 5b. Typical radiation pattern for LUXEON HL2X High Performance at 700mA, $T_j=85^{\circ}\text{C}$.

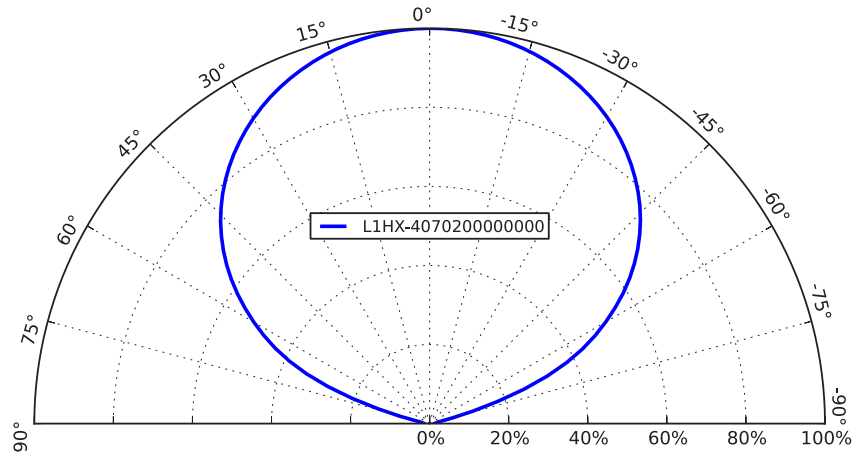


Figure 6a. Typical polar radiation pattern for LUXEON HL2X at 700mA, $T_j=85^\circ\text{C}$.

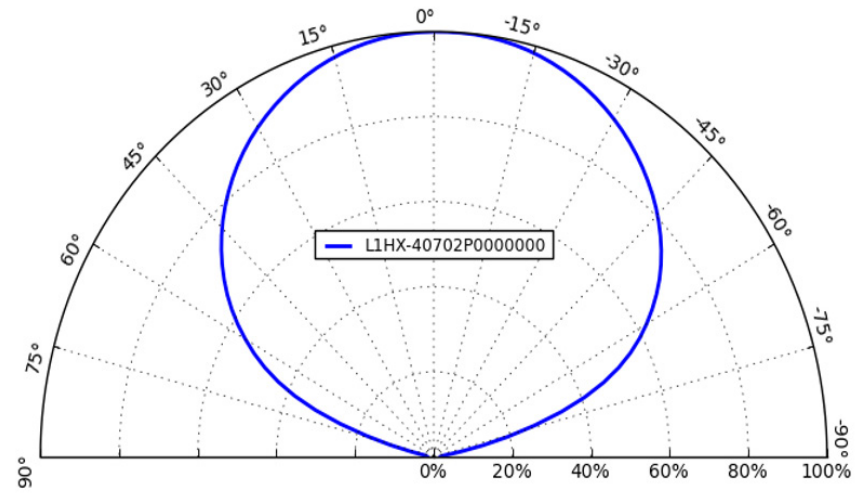


Figure 6b. Typical polar radiation pattern for LUXEON HL2X High Performance at 700mA, $T_j=85^\circ\text{C}$.

Product Bin and Labeling Definitions

Decoding Product Bin Labeling

In the manufacturing of semiconductor products, there are variations in performance around the average values given in the technical datasheet. For this reason, Lumileds bins LED components for luminous flux or radiometric power, color point, peak or dominant wavelength and forward voltage.

LUXEON HL2X LEDs are labeled using a 4-digit alphanumeric CAT code following the format below:

A B C D

Where:

- A** – designates luminous flux bin (example: V=290 to 300 lm, W=300 to 310 lm)
- B** – designates color bin (example: 1=6500K, 2=5700K, 3=5000K, 5=4000K, 6=3500K, 7=3000K, 8=2700K)
- C** – designates color space (example: 5/A/B/C/D=5-step MacAdam ellipse, 3=3-step MacAdam ellipse)
- D** – designates forward voltage bin (example: X=2.65 to 2.85V, Y=2.85 to 3.00V)

Therefore, a LUXEON HL2X 3000K 70CRI with a lumen range of 290 to 300 lm, color bin of 75 and a forward voltage range of 2.65 to 2.85V has the following CAT code:

V 7 5 X

Luminous Flux Bins

Table 5 lists the standard luminous flux bins for LUXEON HL2X emitters. Although several bins are outlined, product availability in a particular bin varies by production run and by product performance. Not all bins are available in all CCTs.

Table 5. Luminous flux bin definitions for LUXEON HL2X.

BIN	LUMINOUS FLUX ⁽¹⁾ (lm)	
	MINIMUM	MAXIMUM
K	190	200
L	200	210
M	210	220
N	220	230
P	230	230
Q	240	250
R	250	260
S	260	270
T	270	280
U	280	290
V	290	300
W	300	310
X	310	320
Y	320	330
Z	330	340
A	340	350
B	350	360
C	360	370

Notes for Table 5:

1. Lumileds maintains a tolerance of $\pm 6.5\%$ on luminous flux measurements.

Color Bin Definitions

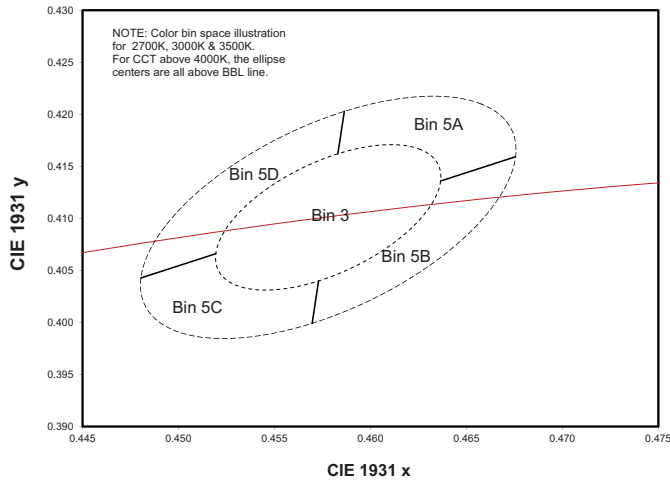


Figure 7. Color space definition for LUXEON HL2X.

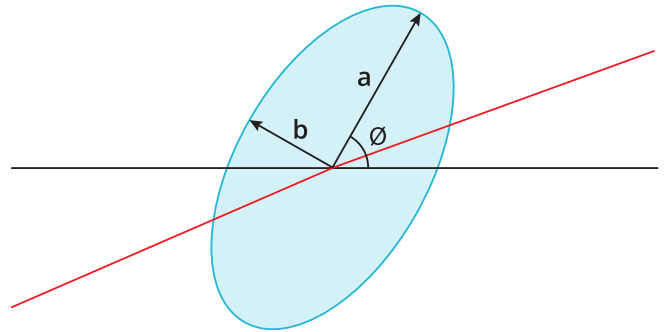


Figure 8. 5-step MacAdam ellipse illustration for Table 6.

Table 6. 5-step MacAdam ellipse color bin definitions for LUXEON HL2X.

NOMINAL CCT	COLOR SPACE	CENTER POINT ^[1] (cx, cy)	MAJOR AXIS, a	MINOR AXIS, b	ELLIPSE ROTATION ANGLE, θ
2700K	Single 5-step MacAdam ellipse	(0.4578, 0.4101)	0.013500	0.007000	53.70°
3000K	Single 5-step MacAdam ellipse	(0.4338, 0.4030)	0.013900	0.006800	53.22°
3500K	Single 5-step MacAdam ellipse	(0.4073, 0.3917)	0.015 450	0.006 900	54.0°
4000K	Single 5-step MacAdam ellipse	(0.3818, 0.3797)	0.015650	0.006700	53.72°
5000K	Single 5-step MacAdam ellipse	(0.3447, 0.3553)	0.013700	0.005900	59.62°
5700K	Single 5-step MacAdam ellipse	(0.3287, 0.3417)	0.012425	0.005325	59.09°
6500K	Single 5-step MacAdam ellipse	(0.3123, 0.3282)	0.011150	0.004750	58.57°

Notes for Table 6:

1. Lumileds maintains a tolerance of ±0.005 on x and y coordinates in the CIE 1931 color space.

Table 7. Correlated color temperature bin definitions for LUXEON HL2X.

BIN	CCT
1	6500K
2	5700K
3	5000K
5	4000K
6	3500K
7	3000K
8	2700K

Table 8. MacAdam ellipse color space definitions for LUXEON HL2X.

BIN	SDCM
3	3-step MacAdam ellipse (80,90 CRI)
5	5-step MacAdam ellipse (70 CRI)
A	5-step MacAdam ellipse (80,90 CRI)
B	5-step MacAdam ellipse (80,90 CRI)
C	5-step MacAdam ellipse (80,90 CRI)
D	5-step MacAdam ellipse (80,90 CRI)

Forward Voltage Bins

Table 9. Forward voltage bin definitions for LUXEON HL2X.

BIN	FORWARD VOLTAGE ⁽¹⁾ (V _f)	
	MINIMUM	MAXIMUM
X	2.65	2.85
Y	2.85	3.00

Notes for Table 9:

1. Lumileds maintains a tolerance of $\pm 0.1V$ on forward voltage measurements.

Mechanical Dimensions

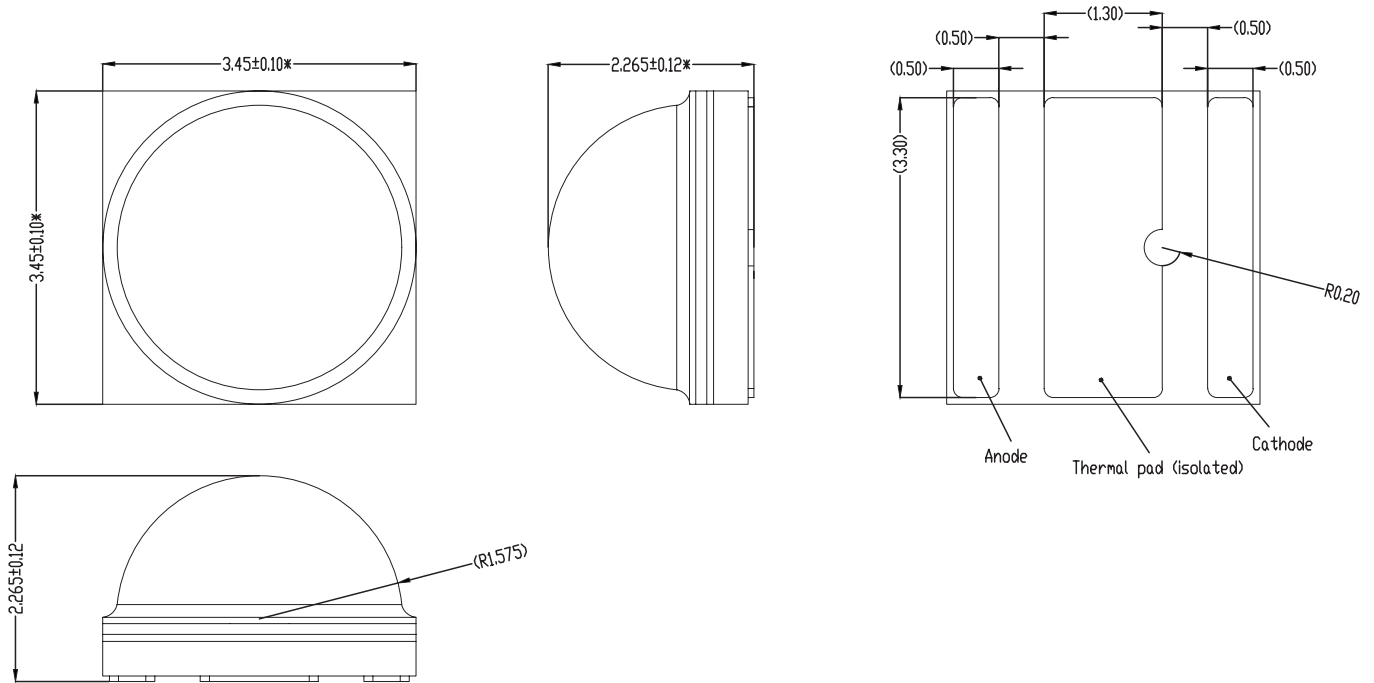


Figure 9. Mechanical dimensions for LUXEON HL2X.

Notes for Figure 9:

1. Drawings are not to scale.
2. All dimensions are in millimeters.
3. Do not handle the device by the dome. Excessive force on the dome may damage the dome itself or the interior of the device.

Reflow Soldering Guidelines

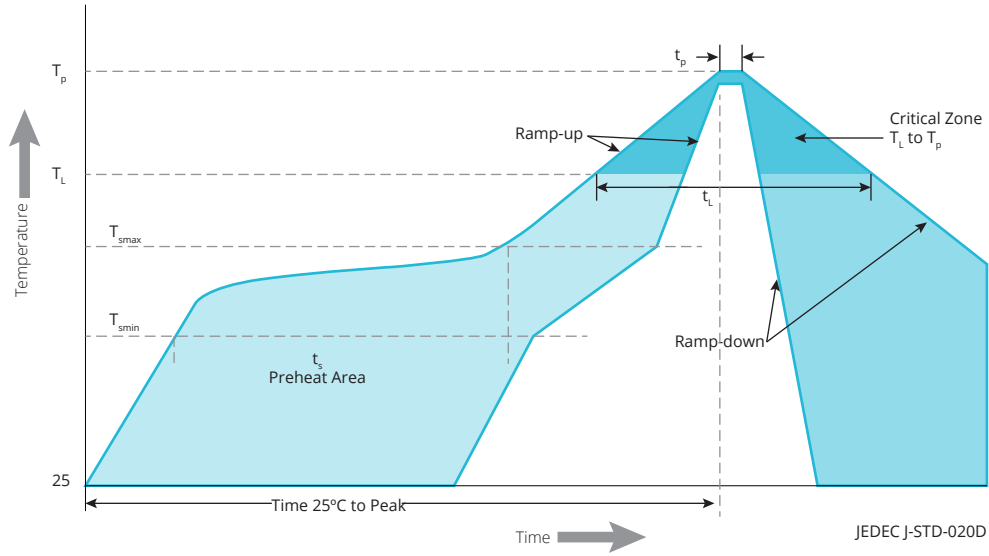


Figure 10. Visualization of the acceptable reflow temperature profile as specified in Table 10.

Table 10. Reflow profile characteristics for LUXEON HL2X.

PROFILE FEATURE	LEAD-FREE ASSEMBLY
Preheat Minimum Temperature (T_{smin})	150°C
Preheat Maximum Temperature (T_{smax})	200°C
Preheat Time (t_{smin} to t_{smax})	60 to 180 seconds
Ramp-Up Rate (T_L to T_p)	3°C / second maximum
Liquidous Temperature (T_L)	217°C
Time Maintained Above Temperature T_L (t_t)	60 to 150 seconds
Peak / Classification Temperature (T_p)	260°C
Time Within 5°C of Actual Peak Temperature (t_p)	20 to 40 seconds
Ramp-Down Rate (T_p to T_L)	6°C / second maximum
Time 25°C to Peak Temperature	8 minutes maximum

Notes for Table 10:

1. All temperatures refer to the application Printed Circuit Board (PCB), measured on the surface adjacent to the package body.

JEDEC Moisture Sensitivity

Table 11. Moisture sensitivity levels for LUXEON HL2X.

LEVEL	FLOOR LIFE		SOAK REQUIREMENTS STANDARD	
	TIME	CONDITIONS	TIME	CONDITIONS
1	Unlimited	≤30°C / 85% RH	168 Hours +5 / -0	85°C / 85% RH

Solder Pad Design

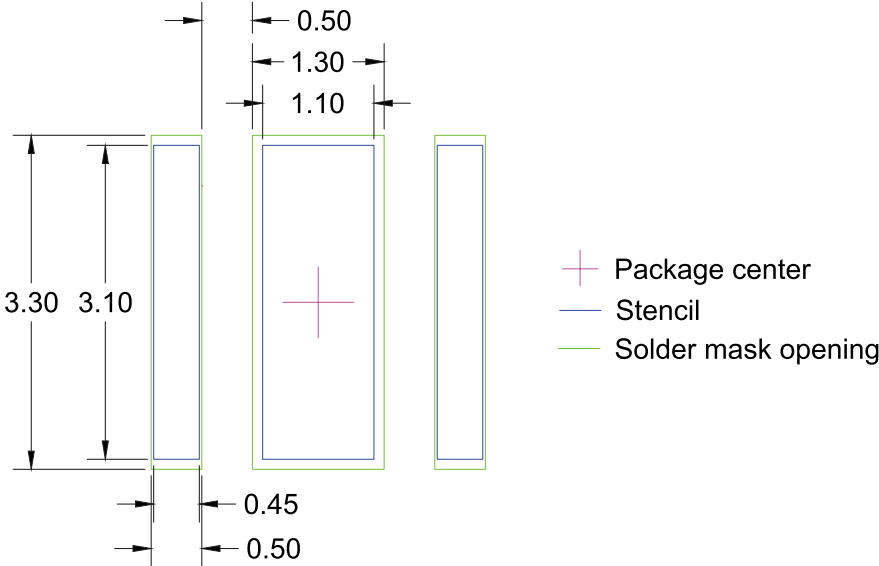
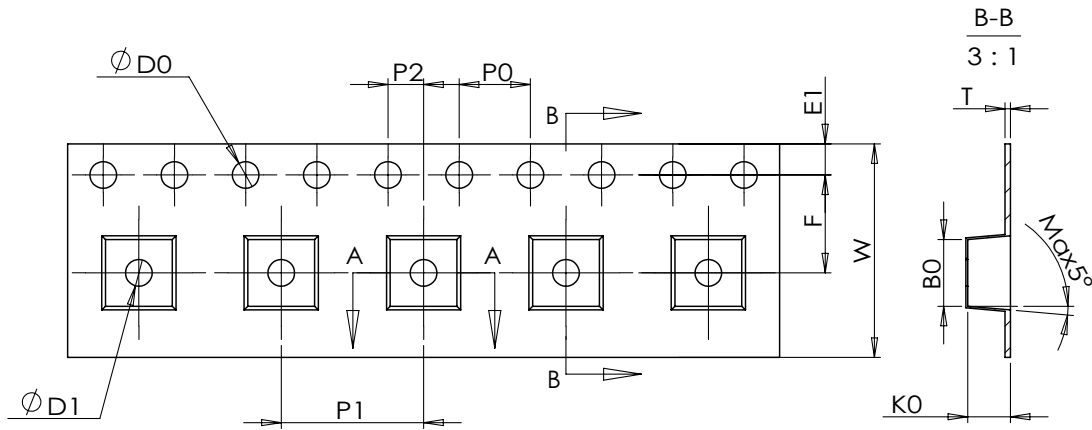


Figure 11. Recommended PCB solder pad layout for LUXEON HL2X.

- Notes for Figure 11:
- 1. Drawings are not to scale.
 - 2. All dimensions are in millimeters.

Packaging Information

Pocket Tape Dimensions



Item	Spec
W	12.00+0.30/-0.10
P1	8.00±0.10
E1	1.75±0.10
F	5.50±0.10
D0	1.50+0.10/0
D1	1.50±0.10
P0	4.00±0.10
P010	40.00±0.20
P2	2.00±0.10
A0	3.65±0.10
B0	3.65±0.10
K0	2.45±0.10
T	0.30±0.05
	Unit: mm

Figure 12. Pocket tape dimensions for LUXEON HL2X.

Notes for Figure 12:

1. Drawings are not to scale.
2. All dimensions are in millimeters.

Reel Dimensions

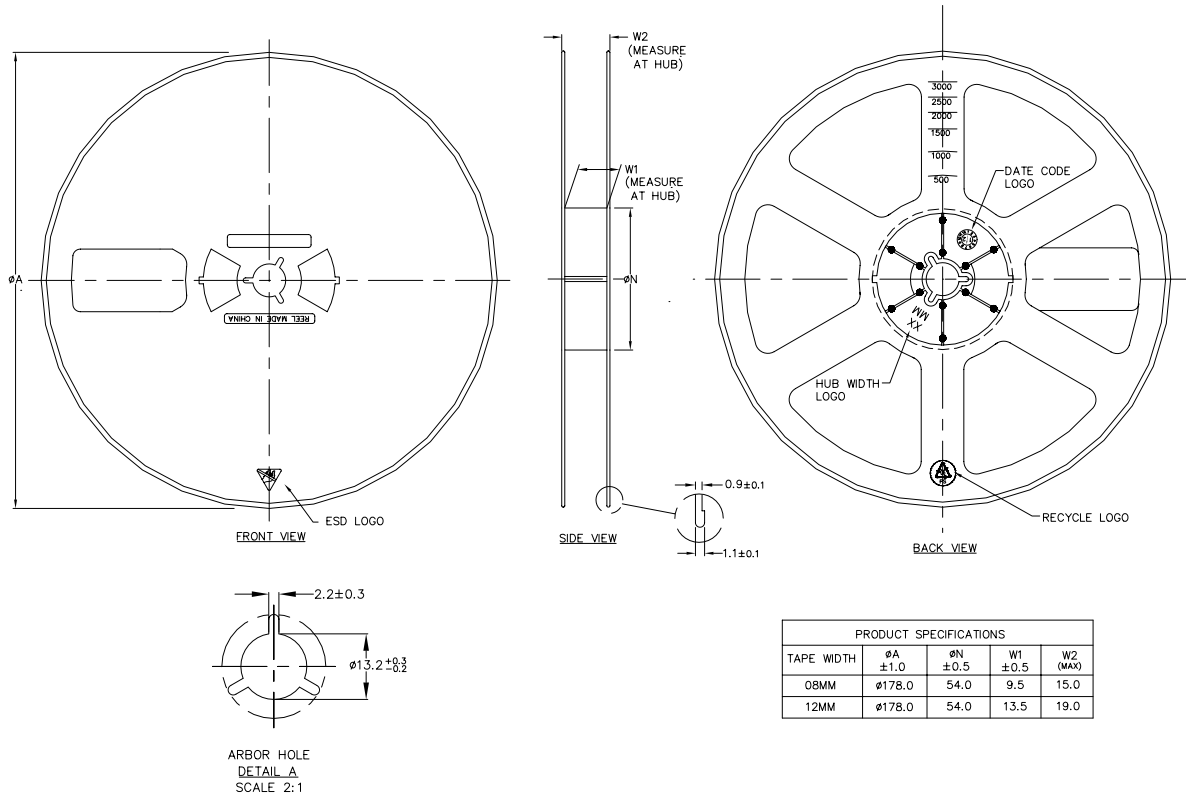


Figure 13. Reel dimensions for LUXEON HL2X.

Notes for Figure 13:

1. Drawings are not to scale.
2. All dimensions are in millimeters.
3. 1,000 pieces per reel.

About Lumileds

Companies developing automotive, mobile, IoT and illumination lighting applications need a partner who can collaborate with them to push the boundaries of light. With over 100 years of inventions and industry firsts, Lumileds is a global lighting solutions company that helps customers around the world deliver differentiated solutions to gain and maintain a competitive edge. As the inventor of Xenon technology, a pioneer in halogen lighting and the leader in high performance LEDs, Lumileds builds innovation, quality and reliability into its technology, products and every customer engagement. Together with its customers, Lumileds is making the world better, safer, more beautiful—with light.

To learn more about our lighting solutions, visit lumileds.com.



©2021 Lumileds Holding B.V. All rights reserved.
LUXEON is a registered trademark of the Lumileds Holding B.V. in the United States and other countries.
lumileds.com

Neither Lumileds Holding B.V. nor its affiliates shall be liable for any kind of loss of data or any other damages, direct, indirect or consequential, resulting from the use of the provided information and data. Although Lumileds Holding B.V. and/or its affiliates have attempted to provide the most accurate information and data, the materials and services information and data are provided "as is," and neither Lumileds Holding B.V. nor its affiliates warrants or guarantees the contents and correctness of the provided information and data. Lumileds Holding B.V. and its affiliates reserve the right to make changes without notice. You as user agree to this disclaimer and user agreement with the download or use of the provided materials, information and data. A listing of Lumileds product/patent coverage may be accessed at lumileds.com/patents.

Mouser Electronics

Authorized Distributor

Click to View Pricing, Inventory, Delivery & Lifecycle Information:

Lumileds:

[L1HX-4070200000000](#) [L1HX-2770200000000](#) [L1HX-6570200000000](#) [L1HX-5070200000000](#) [L1HX-5770200000000](#)
[L1HX-3070200000000](#) [L1HX-3570200000000](#) [L1HX-5790200000000](#) [L1HX-3080200000000](#) [L1HX-3090200000000](#)
[L1HX-4080200000000](#) [L1HX-4090200000000](#) [L1HX-5780200000000](#)