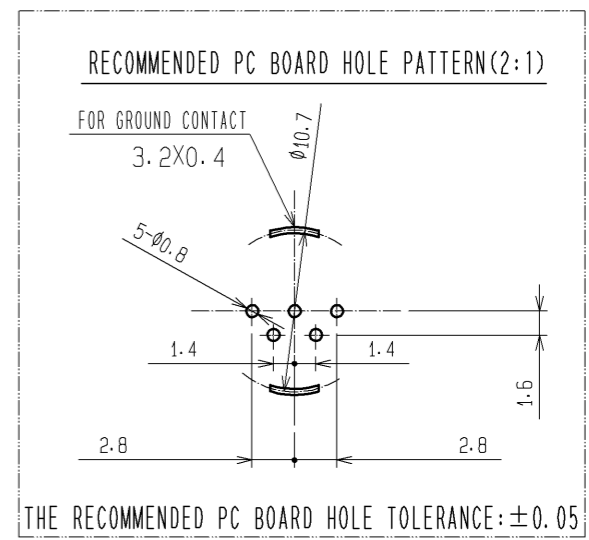
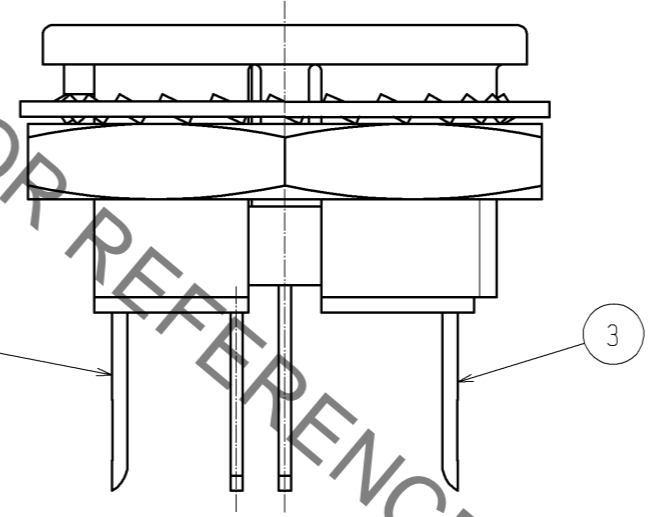
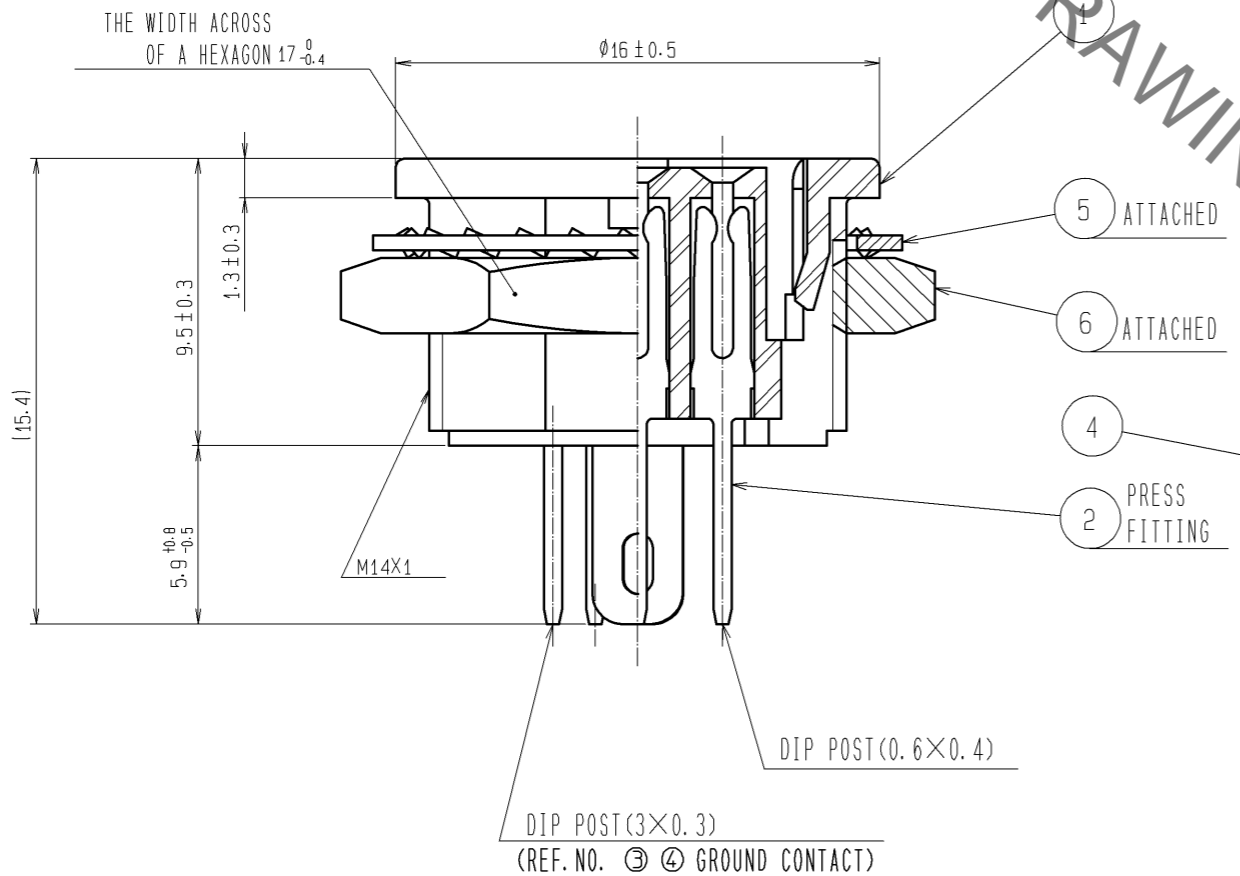
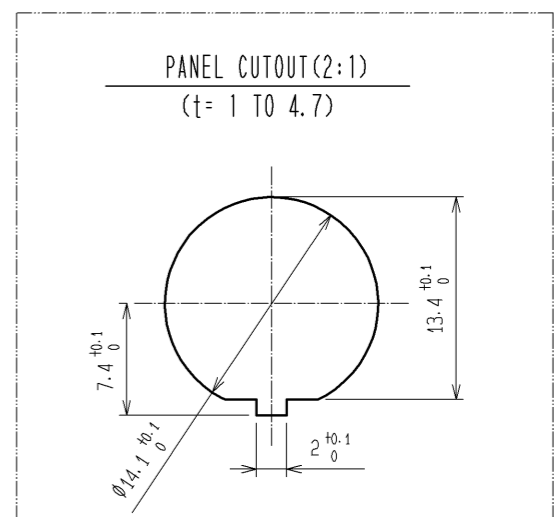
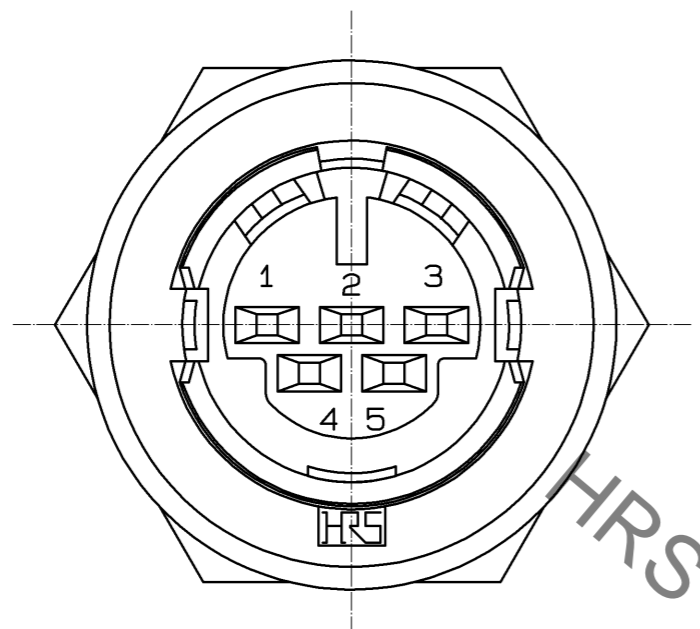


Jan.1.2022 Copyright 2022 HIROSE ELECTRIC CO., LTD. All Rights Reserved.
 In case of consideration for using Automotive equipment / device which demand high reliability, kindly contact our sales window correspondents.



3	PHOSPHOR BRONZE	TIN PLATING	6	BRASS	NICKLE PLATING
2	PHOSPHOR BRONZE	TIN PLATING 3#m min.	5	PHOSPHOR BRONZE	NICKLE PLATING
1	POLYBUTYLENE TEREPHTHALATE	(BLACK) UL94V-0	4	PHOSPHOR BRONZE	TIN PLATING
NO.	MATERIAL	FINISH . REMARKS	NO.	MATERIAL	FINISH . REMARKS

UNITS mm			SCALE 4 : 1	COUNT 	DESCRIPTION OF REVISIONS	DESIGNED	CHECKED	DATE
HRS HIROSE ELECTRIC CO., LTD.			APPROVED : MO. SATOH	07. 12. 11	DRAWING NO.	EDC3-021724-71		
			CHECED : YH. YAMADA	07. 12. 11	PART NO.	HR12-10R-5SD(71)		
			DESIGNED : DS. MATSUNE	07. 12. 11	CODE NO.	CL112-0502-7-71		
			DRAWN : HN. TANAKA	07. 11. 26				

Mouser Electronics

Authorized Distributor

Click to View Pricing, Inventory, Delivery & Lifecycle Information:

[Hirose Electric:](#)

[HR12-10R-5SD\(71\)](#)