



Features:

- Motor: Shaded Pole Induction Motor
- Motor Protection: Thermal Protected
- Bearing Type: Two Ball
- Connection: UL 1430 AWG 22, 300mm Wire Leads or Terminal
- Frame Material: Aluminum Alloy
- Impeller Material: Plastic UL94V-0
- Operating Temp:
Two Ball: -10°C~70°C
- Life Expectancy:
Two Ball: 50,000 Hours



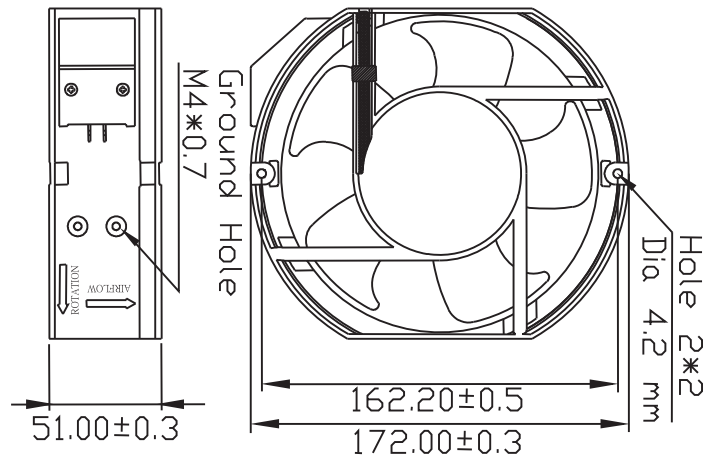
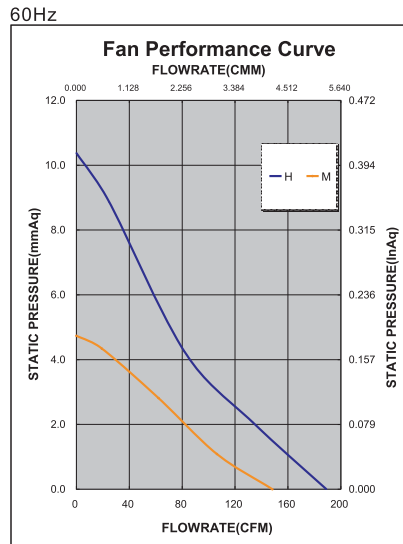
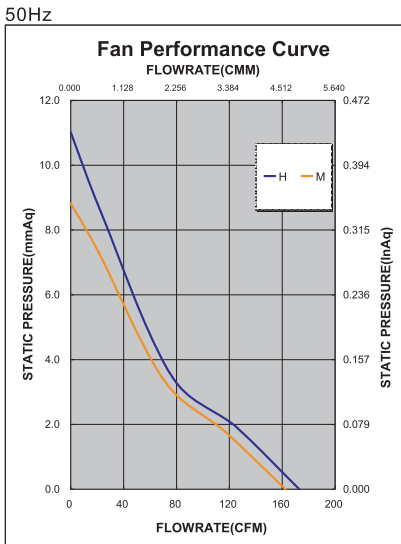
Fan-S Division



Model No.	Volt.	Freq.	Current	Power	Rated Speed	Maximum AirFlow		Maximum Static Pressure		Noise Level	Weight
	(VAC)	(Hz)	(A)	(W)	(rpm)	(CMM)	(CFM)	(InAq)	(mmAq)	(dB/A)	(g)
FKA1-17251NBH** 31	115	50/60	0.55/0.46	62.10/51.80	2600/2700	4.867/5.348	172/189	0.433/0.408	10.998/10.363	55.5/57.7	1050
FKA1-17251QBH** 31	230	50/60	0.27/0.23	59.80/50.60	2600/2700	4.867/5.348	172/189	0.433/0.408	10.998/10.363	55.5/57.7	1050
FKA1-17251NBM** 31	115	50/60	0.33/0.31	36.80/34.50	2400/2300	4.528/3.962	160/140	0.340/0.180	8.636/4.572	53.0/50.3	1050
FKA1-17251QBM** 31	230	50/60	0.17/0.17	36.80/36.80	2400/2300	4.528/3.962	160/140	0.340/0.180	8.636/4.572	53.0/50.3	1050

** Indicates "W" (Wire Leads) or "T" (Terminal)

Noise is measured at the distance of one (1) meter from the axis of intake.



Mouser Electronics

Authorized Distributor

Click to View Pricing, Inventory, Delivery & Lifecycle Information:

Qualtek:

[FKA1-17251NBHT31](#) [FKA1-17251NBHW31](#) [FKA1-17251NBLT31](#) [FKA1-17251NBLW31](#) [FKA1-17251NBMT31](#)
[FKA1-17251NBMW31](#) [FKA1-17251QBHT31](#) [FKA1-17251QBHW31](#) [FKA1-17251QBLT31](#) [FKA1-17251QBLW31](#)
[FKA1-17251QBMT31](#) [FKA1-17251QBMW31](#)