

# Customer Information Sheet

DRAWING No.: M80-882XXXX

IF IN DOUBT - ASK

©

NOT TO SCALE

THIRD ANGLE PROJECTION

ALL DIMENSIONS IN mm

ORDER CODE:

**M80-882XXXX**

TOTAL No. OF CONTACTS:

02 - 07, ~~17, 22~~

FINISH:

22 = SELECTIVE GOLD + TIN/LEAD

45 = GOLD

42 = SELECTIVE GOLD / 100% TIN

SPECIFICATIONS:

MATERIAL:

MOULDING = POLYAMIDE 46 UL94V-0, BLACK

CONTACTS = PHOSPHOR BRONZE

LATCHES = BERYLLIUM COPPER

FINISH:

CONTACTS:

22 = 0.75µm GOLD ON CONTACT AREA,  
3µm 90/10 TIN/LEAD ON TAILS

45 = 0.75µm GOLD

42 = 0.75µm GOLD ON CONTACT AREA,  
3.0µm 100% TIN OVER NICKEL ON TAILS

LATCH = 1.25µm NICKEL

ELECTRICAL:

CURRENT RATING (25°C) = 3.0A MAX.

CURRENT RATING (85°C) = 2.2A MAX.

WORKING VOLTAGE = 800V AC/DC

VOLTAGE PROOF = 1200V AC/DC

CONTACT RESISTANCE (INITIAL) = 20mΩ MAX.

CONTACT RESISTANCE (AFTER CONDITIONING) = 25mΩ MAX.

INSULATION RESISTANCE (INITIAL) = 1000MΩ MIN.

INSULATION RESISTANCE (AFTER CONDITIONING) = 100MΩ MIN.

MECHANICAL:

DURABILITY = 500 OPERATIONS

INSERTION FORCE (Ø0.5mm GAUGE) = 2.0N MAX

WITHDRAWAL FORCE (Ø0.5mm GAUGE) = 0.2N MIN

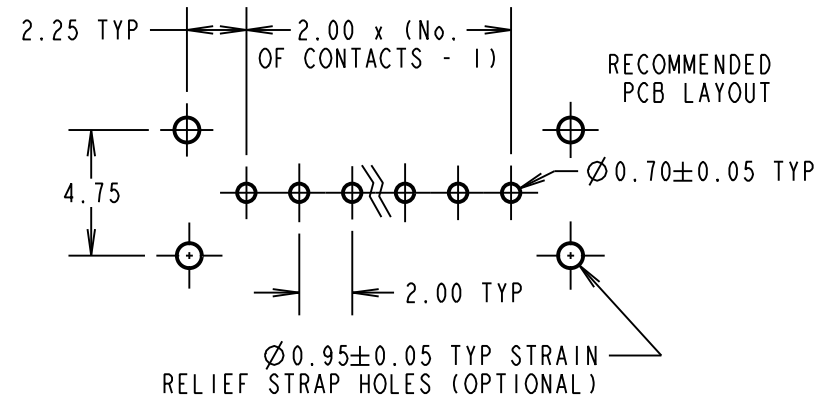
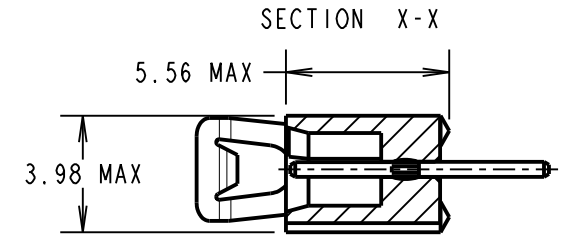
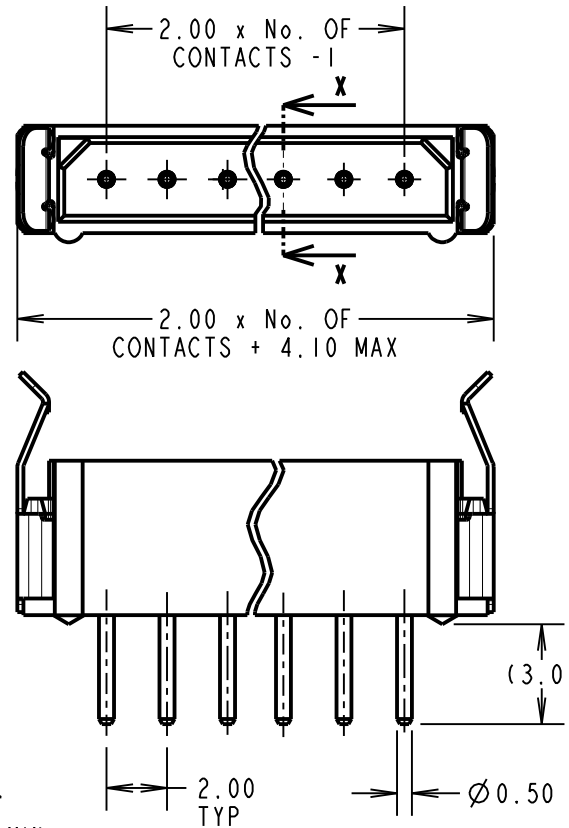
ENVIRONMENTAL:

TEMPERATURE RANGE = -55°C TO +125°C

PACKING:

TUBE

FOR COMPLETE SPECIFICATION, SEE COMPONENT SPECIFICATION C005XX (LATEST ISSUE)



**OBSOLETE**

**Pin counts 17 and 22  
Last Time Buy 21-Aug-2020**

NOTES:

1. 2-OFF STRAIN RELIEF STRAPS  
M80-0030006 MAY BE USED  
WITH EACH CONNECTOR.

MGP	8	06.09.18	20806
NAME	ISS.	DATE	C/NOTE
APPROVED: MGP			
CHECKED: RP			
DRAWN: I. SANDY			
CUSTOMER REF.:			
ASSEMBLY DRG:			

**HARWIN**

www.harwin.com  
technical@harwin.com

THIS DRAWING AND ANY INFORMATION OR DESCRIPTIVE MATTER SET OUT HEREON ARE CONFIDENTIAL AND COPYRIGHT PROPERTY OF THE HARWIN GROUP AND MUST NOT BE DISCLOSED, LOANED, COPIED OR USED FOR MANUFACTURING, TENDERING OR FOR ANY OTHER PURPOSE WITHOUT THEIR WRITTEN PERMISSION.

TOLERANCES  
X. = ±1mm  
X.X = ±0.50mm  
X.XX = ±0.10mm  
X.XXX = ±0.01mm  
ANGLES = ±5°  
UNLESS STATED

MATERIAL: SEE ABOVE  
FINISH: SEE ABOVE  
S/AREA: mm<sup>2</sup>

TITLE: DATAMATE SIL VERTICAL PC TAIL PLUG ASSEMBLY - LATCHED

DRAWING NUMBER:  
**M80-882XXXX**

SHT  
2 OF 2

# Mouser Electronics

Authorized Distributor

Click to View Pricing, Inventory, Delivery & Lifecycle Information:

[Harwin:](#)

[M80-8820742](#) [M80-8820342](#) [M80-8820542](#) [M80-8821742](#) [M80-8820242](#) [M80-8820642](#) [M80-8820442](#) [M80-8822242](#) [M80-8820245](#) [M80-8820345](#) [M80-8820445](#) [M80-8820545](#) [M80-8820745](#) [M80-8821745](#) [M80-8822245](#) [M80-8820622](#) [M80-8820322](#) [M80-8822222](#) [M80-8820522](#) [M80-8820422](#) [M80-8820722](#) [M80-8821722](#)