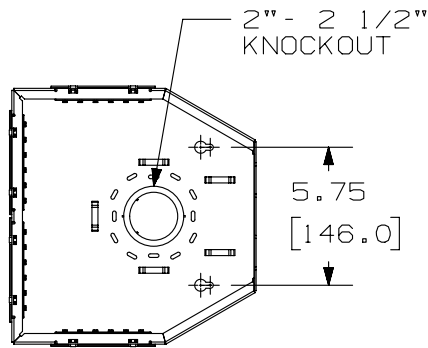
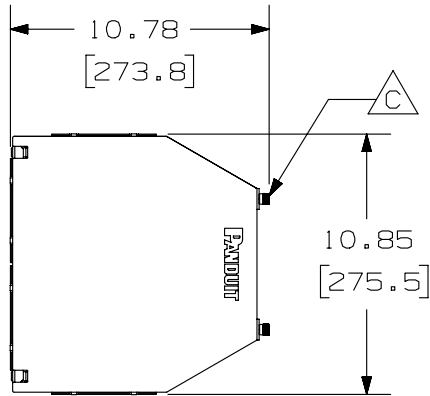
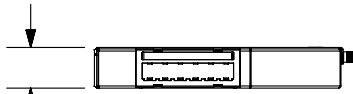


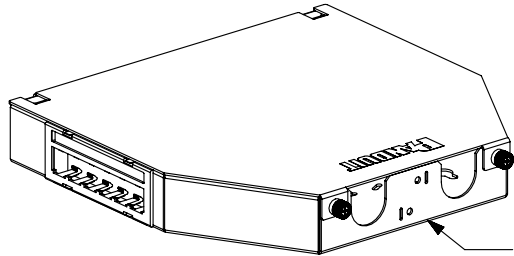
THIS COPY IS PROVIDED ON A RESTRICTED BASIS AND IS NOT TO BE USED IN ANY WAY DETRIMENTAL TO THE INTERESTS OF PANDUIT CORP.



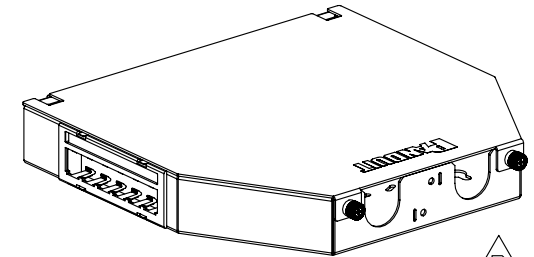
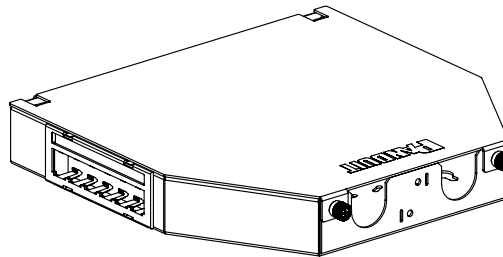
COVER REMOVED FOR CLARITY



1.69 [43.0]



GROMMET PLATE REMOVED FOR GREATER CABLE DENSITY



PANDUIT P/N	WEIGHT
CUFMB24BL	2.12 LB/EACH PC (961.6 g/EACH PC)

NOTES:

- SEE CURRENT CATALOG FOR ADDITIONAL PART NUMBER SUFFIXES TO INDICATE COLOR AND OR PACKAGE QUANTITY.
- SEE CATALOG FOR COMPLETE LIST OF PARTS APPLICABLE FOR USE WITH THIS PART.
- DIMENSIONS IN PARENTHESES ARE IN METRIC.
- PART INCLUDES:
  - 1- METAL BODY
  - 4- 6 POSITION FACEPLATE
  - 1- FACEPLATE LABEL/LABEL COVER KIT WHICH INCLUDES:
    - 4 LABELS AND 4 LABEL COVERS
  - 1- COVER
  - 4- TAK-TY™
  - 1- 48 PORT IDENTIFICATION LABEL

REV	DATE	BY	CHK	APR	DESCRIPTION	ECN
04A	2-6-15	BAME	NAGL	KRKE	E. UPDATED TITLE BLOCK	01032-15
03A	6-16-10	RYB			D. GROMMET BRACKET NOW REMOVABLE	01032-15
2	4-24-02	JsP	PBD		C. REPLACED PUSH LATCHES WITH CAPTIVE SCREWS. B. REMOVED GROMMETS, PUT THEM IN CUFF-KIT.	01032-15
1	12-28-01	JsP	PBD		A. ADDED 2" - 2 1/2" KNOCKOUT FEATURE.	01032-15
R	8-31-01	JsP	AMYR		RELEASED TO PRODUCTION	01032-15

TITLE <b>MINI-COM™ 24 PORT CONSOLIDATION POINT BOX (CUFMB24BL)</b> CUSTOMER DRAWING	
ITEM REVISION NAME V01032AA/04	
DATASET FILE NAME V01032AA_DC/04A	
UNLESS OTHERWISE SPECIFIED, DIMENSIONAL TOLERANCES ARE: IN ( mm )	
.X ± .XX ±	.XXX ± ANGLES ±
THIRD ANGLE PROJECTION	
DRAWN BY JsP	DATE 8-31-01
CHK AMYR	SCALE NONE
MATERIAL: .060" ALUMINUM	
DRAWING NUMBER: 01032-15	
SHT 1 OF 1	
SIZE A	

D10100DA/16

# Mouser Electronics

Authorized Distributor

Click to View Pricing, Inventory, Delivery & Lifecycle Information:

[Panduit:](#)

[CUFMB24BL](#)