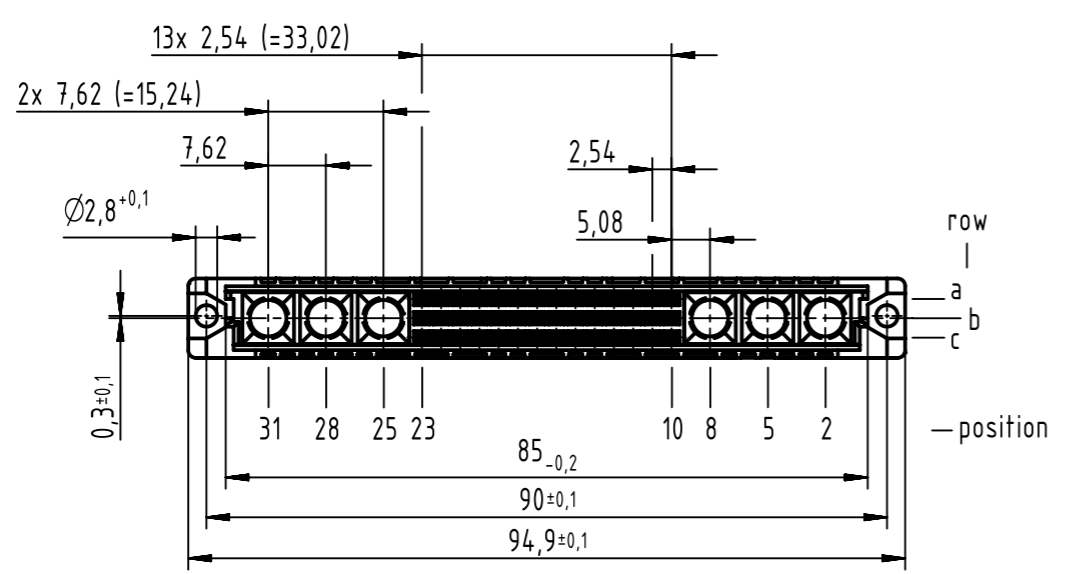
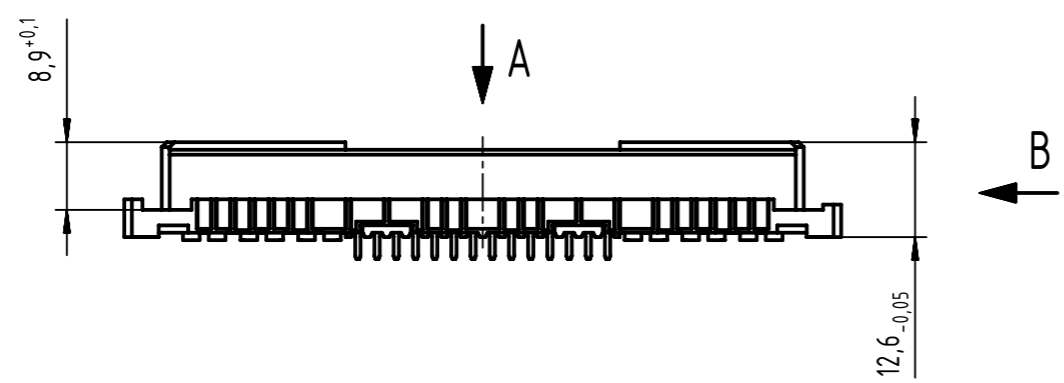
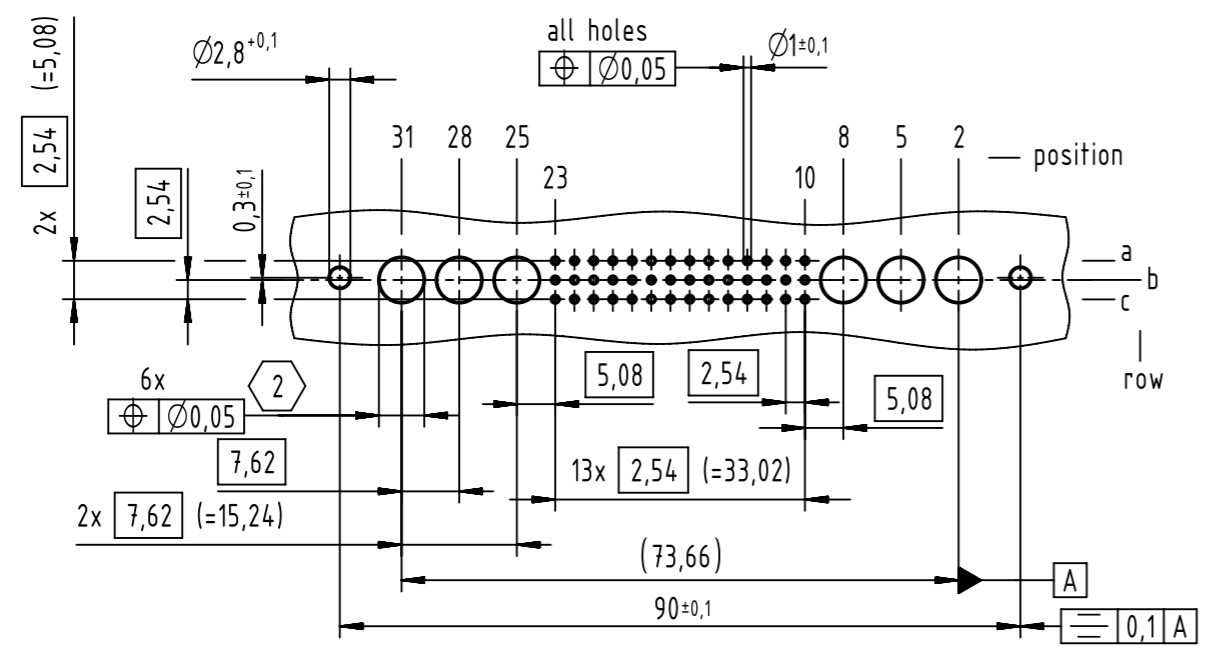
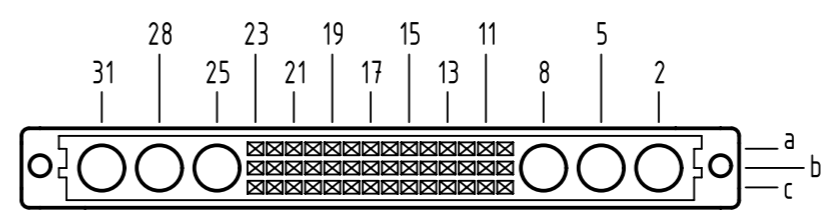


A
board drillings

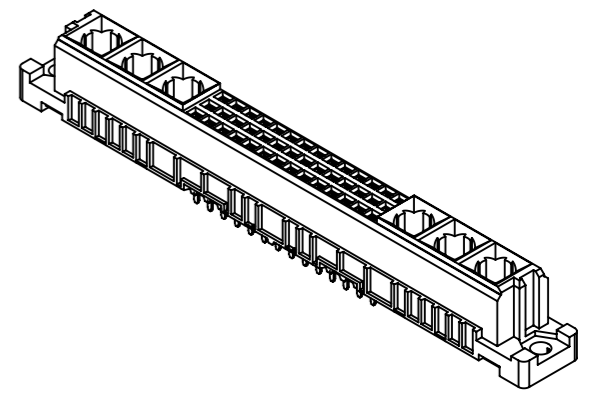
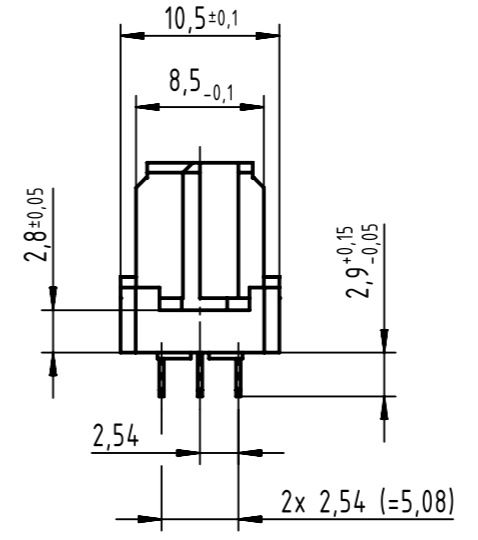


A
contact arrangement



42 solder contacts
 x = solder contact
 □ = position without contact

B (2:1)



2 hole diameter is to be co-ordinated with the respective contact
 1 further information see: DS 09032100001

09 03 242 6804	2
part no.	performance level 1

All rights reserved Department EC PD - DE HARTING Electronics GmbH D-32339 Espelkamp	All Dimensions in mm Original Size DIN A3	Scale 1:1 Free size tol. IEC 60603-2	Ref. Sub.	Date 2017-01-20 State Final Release	Doc-Key / ECM-Nr. 100072218/UGD/038/D 500000114092
	Title DIN Signal type M42 female solder 2.9 42-pole Type TB Number 0903242X804	Created by ZWAHR Inspected by ELLERMANN Standardisation HOFFMANN	Rev. D Page 1/1		