



»» Features

- ISO 280 footprint design.
- High temperature endurance up to 125 degree C.
- Optional SPNC, SPNO, SPDT contact configurations.
- Optional to be equipped with protection diode or resistor.
- Available for dust cover type, skirted cover flanged cover, and weather proof versions.
- Comply with RoHS-Directive 2002/95/EC, and ELV-Directive 2000/53/EC.

»» Type List

Terminal style	Contact form	Enclosure style		
		Dust cover	Flux tight	Sealed type washable
Socket terminal	1A (SPNO)	898-1AH-D	898-1AH-C	898-1AH-S
		898H-1AH-D	898H-1AH-C	898H-1AH-S
	1C (SPDT)	898-1CH-D	898-1CH-C	898-1CH-S
		898H-1CH-D	898H-1CH-C	898H-1CH-S

Terminal style	Contact form	Enclosure style	
		Flanged cover (dust cover)	Flanged cover (flux tight)
Socket terminal	1A (SPNO)	898-1AH-D1	898-1AH-C1
		898H-1AH-D1	898H-1AH-C1
	1C (SPDT)	898-1CH-D1	898-1CH-C1
		898H-1CH-D1	898H-1CH-C1

Terminal style	Contact form	Enclosure style	
		Steel bracket (dust cover)	Steel bracket (flux tight)
Socket terminal	1A (SPNO)	898-1AH-D1S	898-1AH-C1S
		898H-1AH-D1S	898H-1AH-C1S
	1C (SPDT)	898-1CH-D1S	898-1CH-C1S
		898H-1CH-D1S	898H-1CH-C1S

Terminal style	Contact form	Designation (provided with)	Enclosure style	
			Steel bracket (dust cover with shroud)	Steel bracket (dust cover with weather proof)
Socket terminal	1C (SPDT)	Resistor	898H-1CH-D1SF-R1	898H-1CH-D1SW-R1



»» Ordering Information

898 H - 1CH - C - R1 001
 1 2 3 4 5 6

- | | |
|--|---|
| <p>1. 898 -- Basic series designation</p> <p>2. Blank -- Standard type
 H -- High power type</p> <p>3. 1AH -- Single pole normally open, contact material AgSnO
 1BH -- Single pole normally closed, contact material AgSnO
 1CH -- Single pole double throw, contact material AgSnO</p> <p>4. D -- Dust cover
 C -- Flux tight
 S -- Sealed type washable
 D1 -- Flanged cover (dust cover)
 C1 -- Flanged cover (flux tight)
 S1 -- Flanged cover (sealed type washable)</p> | <p>D1S -- Steel bracket (dust cover)
 C1S -- Steel bracket (flux tight)
 S1S -- Steel bracket (sealed type washable)
 D1SF -- Steel bracket (Dust cover with shroud)
 D1SW -- Steel bracket (Dust cover with weather proof)</p> <p>5. Blank -- Standard type
 R1 -- Coil parallel with resistor 1/2W for 12V 680Ω, 24V 2700Ω</p> <p>6. Blank -- Standard type
 001 -- Coil parallel with diode IN4007 the positive pole on # 85 terminal
 002 -- Coil parallel with diode IN4007 the negative pole on # 85 terminal</p> |
|--|---|

»» Contact Rating

	898 1A	898 1B	898 1C
Resistive load	40A 14VDC	40A 14VDC	NO : 30A 14VDC NC : 20A 14VDC
	898H 1A	898H 1B	898H 1C
	50A 14VDC 20A 28VDC	40A 14VDC 15A 28VDC	NO: 50A 14VDC, 20A 28VDC NC: 30A 14VDC, 15A 28VDC

»» Coil Rating (DC)

Rated voltage (V)	Rated current ±10 % at 23°C (mA)	Coil resistance ±10 % at 23°C (Ω)	Max. continuous voltage at 85°C ⁽¹⁾	Pick up voltage(Max) at 23°C	Drop out voltage(Min) at 23°C	Power consumption at rated voltage
12	133	90	120 % of rated voltage	65 % of rated voltage	10 % of rated voltage	approx. 1.6W
24	66.7	360				

Notes : (1) Without switching the load.

»» Specification

Contact material	AgSnO alloy	
Contact voltage drop ⁽¹⁾	Typ. 50mV at 10A	
Insulation resistance ⁽¹⁾	20MΩ Min. (DC 500V)	
Operate time ⁽¹⁾	20ms Max.	
Release time ⁽¹⁾	20ms Max.	
Dielectric strength ⁽¹⁾	Between open contact	: AC 500V , 50/60Hz 1 min.
	Between contact and coil	: AC 500V , 50/60Hz 1 min.
Vibration resistance	Operating extremes	10~55Hz , amplitude 2mm
Shock resistance	Operating extremes	10G
	Damage limits	100G
Life expectancy	Mechanical	10,000,000 operations (frequency 18,000 operations/hr)
	Electrical	100,000 operations (frequency 1,200 operations/hr)
Temperature range	Operating	-40~+125°C (no freezing)
Weight	Approx. 40 g	

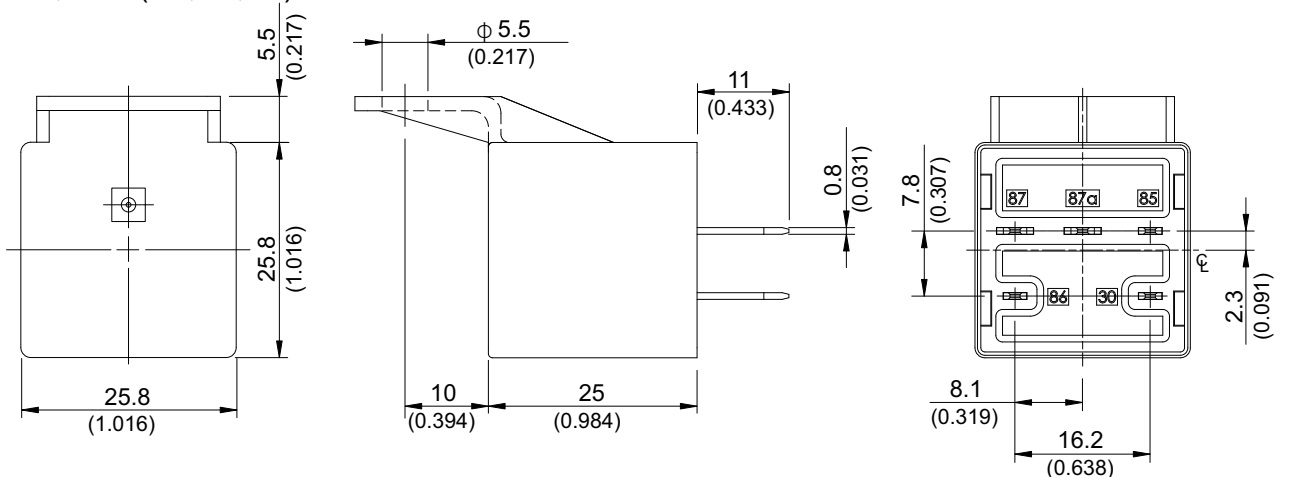
Note : (1) initial value

»» Outline Dimensions

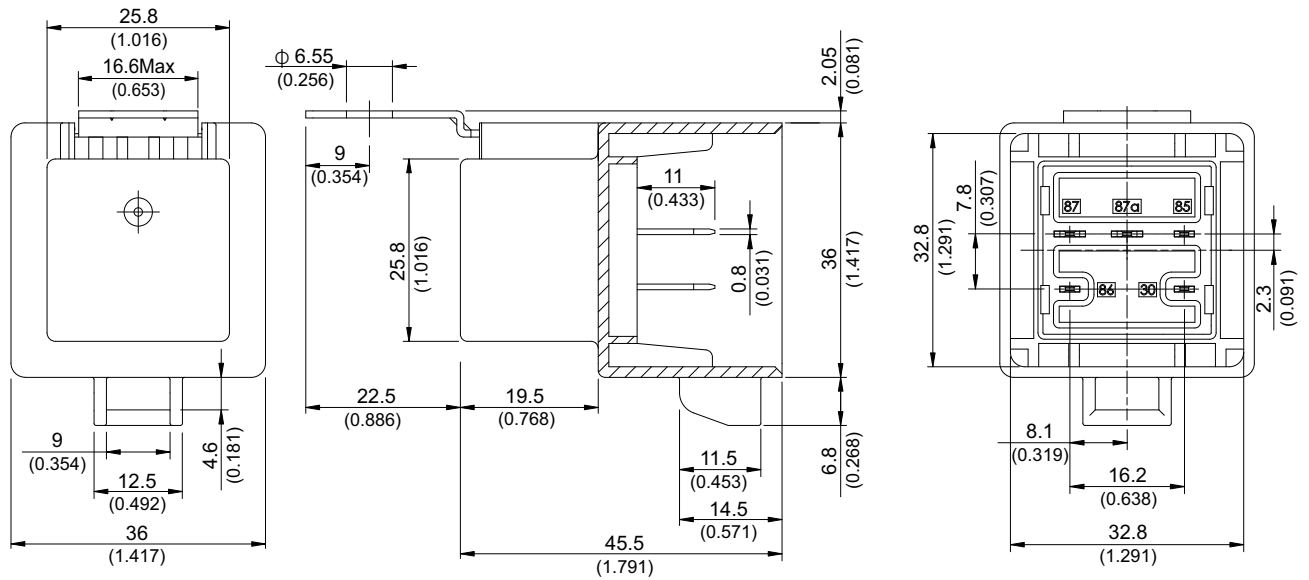
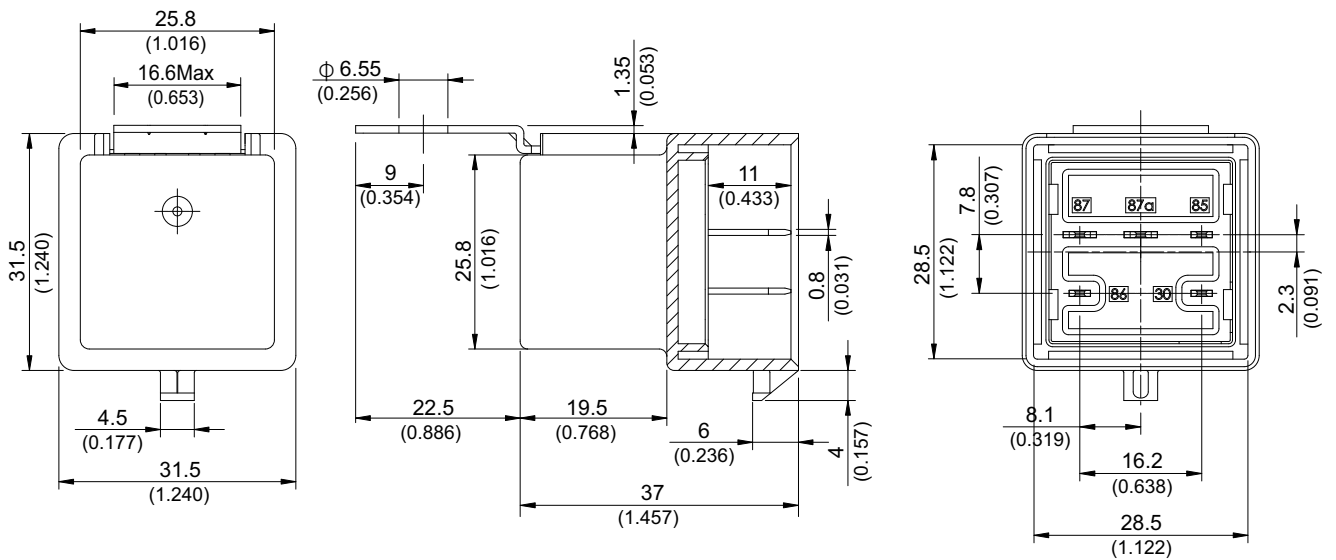
◆ 898,898H(C,D,S)



◆ 898,898H(C1,D1,S1)



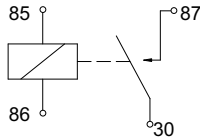
◆ 898, 898H (C1S, D1S, S1S)

◆ 898H (D1SW)

◆ 898H (D1SF)


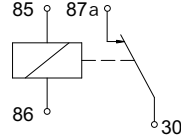
Wiring Diagram

BOTTOM VIEW

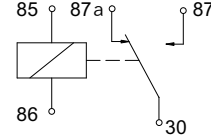
1A



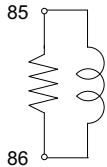
1B



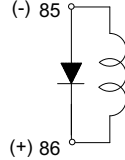
1C



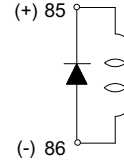
R1



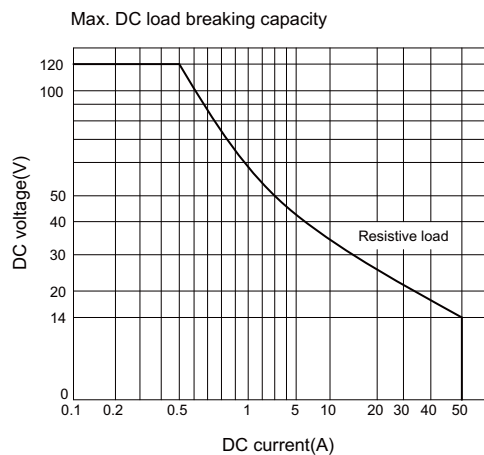
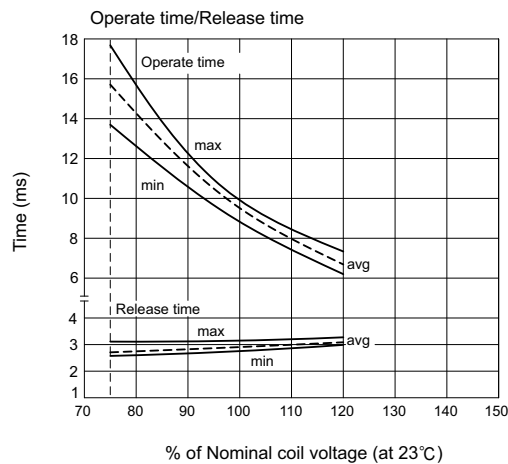
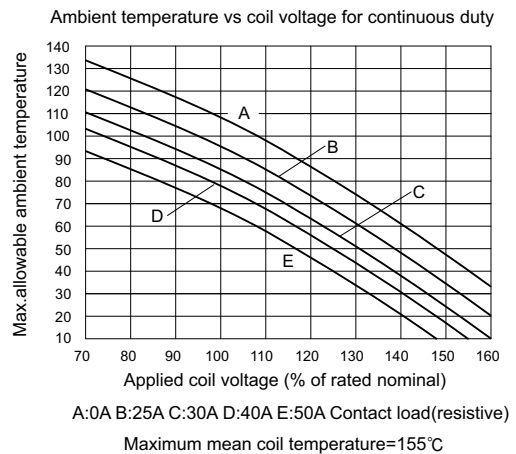
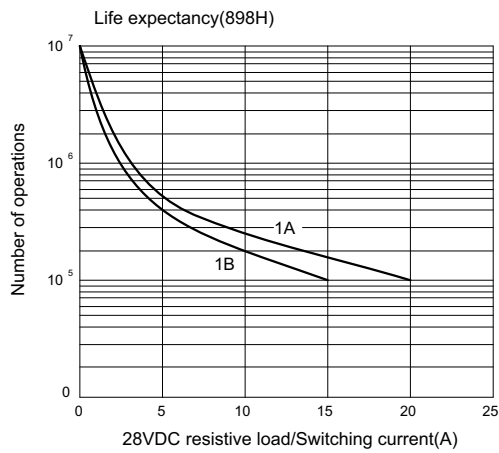
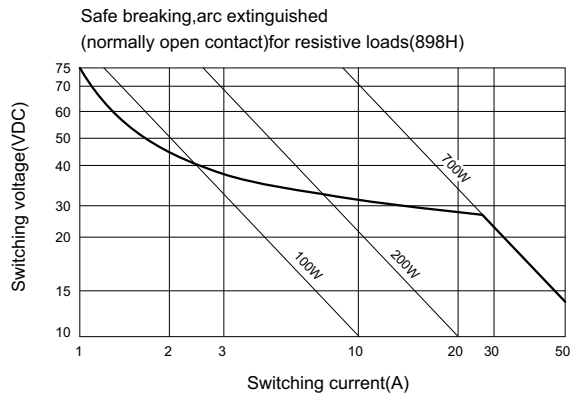
001



002



Engineering Data



Mouser Electronics

Authorized Distributor

Click to View Pricing, Inventory, Delivery & Lifecycle Information:

Song Chuan:

[898H-1AH-S-R1-12VDC](#) [898H-1CH-C1-12VDC](#) [898H-1CH-D1SW-002-12VDC](#) [898H-1CH-C-12VDC](#) [898H-1CH-D1SW-002-24VDC](#) [898H-1AH-C-R1-24VDC](#) [898H-1CH-S-R1-12VDC](#) [898H-1CH-D1SW-R1-12VDC](#) [898H-1CH-C-002-12VDC](#) [898H-1AH-D-001-12VDC](#) [898H-1CH-D1SW-R1-24VDC](#) [898H-1CH-C-001-12VDC](#) [898H-1AH-D1SW-R1-12VDC](#) [898H-1AH-S-12VDC](#) [898H-1CH-S-12VDC](#) [898H-1AH-C-12VDC](#) [898H-1CH-S-001-12VDC](#) [898H-1AH-C1-12VDC](#)