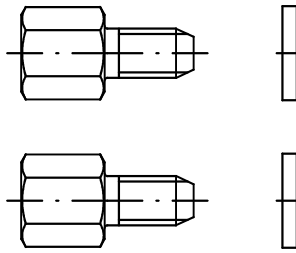
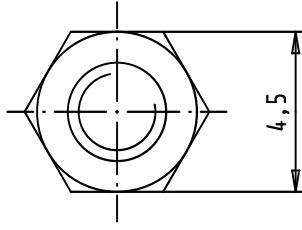
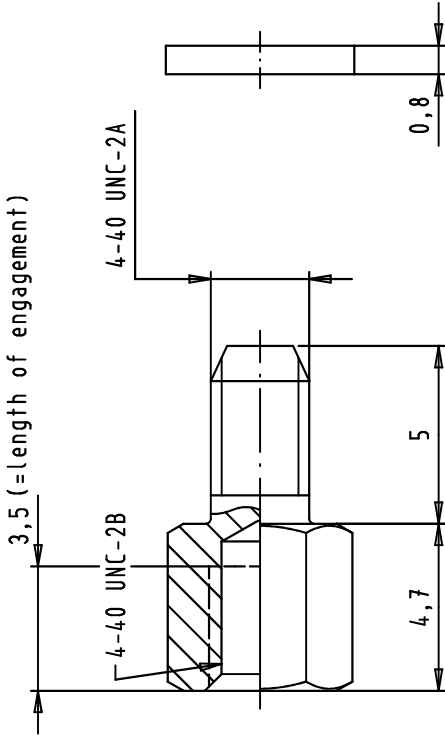


Alle Rechte vorbehalten/ All rights reserved

5 4 3 2 1



PAIR

Material : Tin plated brass
 Packaging : Pair of screw locks and washers.
 2 pcs. are to be ordered per connectors.

Mod.		Insp.		Det.		Name		Hilfstab/ Scale	
EC02951	04/03/11	SC	07/01/04	SH	Female screw locks, 4-40 UNC/4-40 UNC, washers		5:1		
EC00323	13/03/09	PK	04/03/11	JB	All Dim. in mm Orig. Size DIN A 4		Blatt/ Page 1 / 1		
31587					HARTING EURL F-95972 Paris		TB 09 67 002 9007		
					HARTING		Sub.		