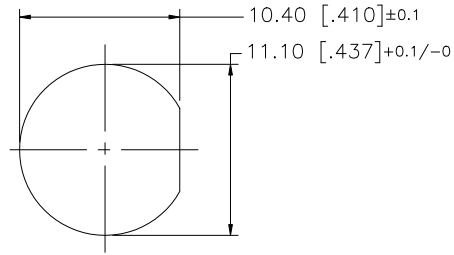
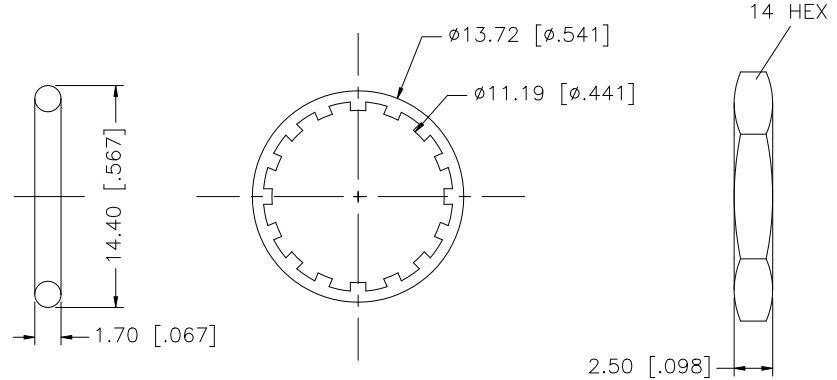
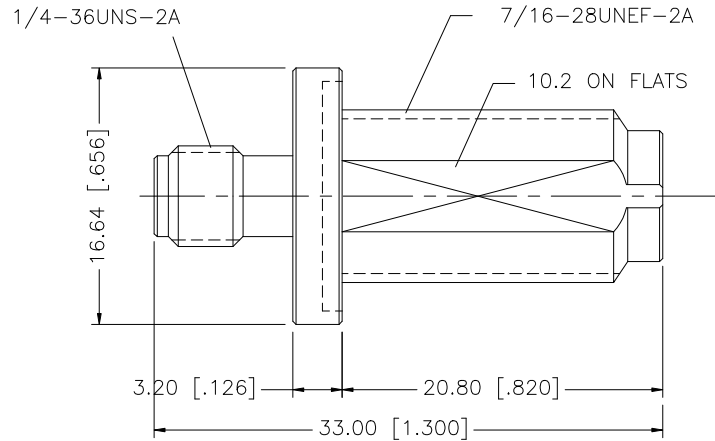


REV.	DATE	ECR NO.	DESCRIPTION
NC	10/14/01	-	INITIAL RELEASE
A	03/26/09	100088	ADD TOLERANCES TO MOUNT HOLE DIMENSIONS



RECOMMENDED MOUNTING HOLE



DESCRIPTION	MATERIAL	FINISH	QTY	UNLESS OTHERWISE SPECIFIED DIMENSIONS ARE IN MILLIMETERS. DIMENSIONS IN [] ARE IN INCHES AND FOR CUSTOMER REFERENCE ONLY.	APPROVALS	DATE	Amphenol Connex											
6	HEX NUT	BRASS	NICKEL	1	UNLESS OTHERWISE SPECIFIED TOLERANCES FOR MILLIMETERS ARE: 0.5 - 8mm ± 0.20mm 8 - 30mm ± 0.40mm 30 - 120mm ± 0.50mm UNLESS OTHERWISE SPECIFIED TOLERANCES FOR INCHES ARE: .020 - .315 = ± 0.007" .315 - 1.180 = ± 0.015" 1.180 - 4.724 = ± 0.020"	GRS	03/26/09	PART DESCRIPTION										
5	LOCK WASHER	PHOS. BRONZE	NICKEL	1		CHECKED		SMA FEMALE TO TNC BULKHEAD FEMALE ADAPTER										
4	GASKET	SILICONE	RED	1		ISSUED		PART NO.										
3	CONTACT PIN	BER. COPPER	GOLD	1		SHEET	1 OF 1	242178										
2	INSULATOR	PTFE	NATURAL	1	CAD FILE	C:/242/242178.DWG	DWG. NO.	242178.DWG	REV.	A	SIZE	A	SCALE	NA				
1	BODY	BRASS	NICKEL	1	DO NOT SCALE DRAWING													

Mouser Electronics

Authorized Distributor

Click to View Pricing, Inventory, Delivery & Lifecycle Information:

[Amphenol:](#)

[242178](#)