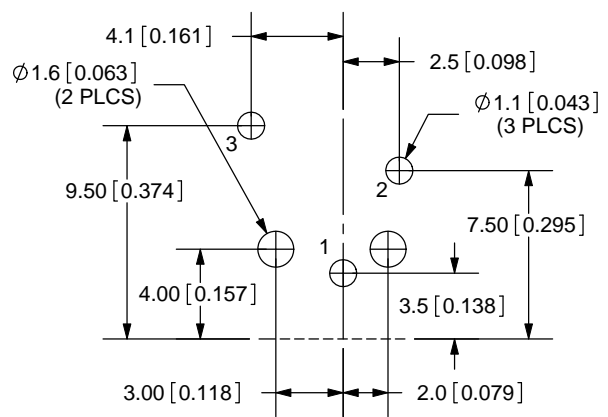
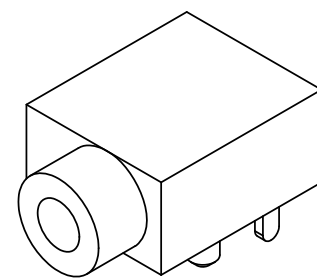
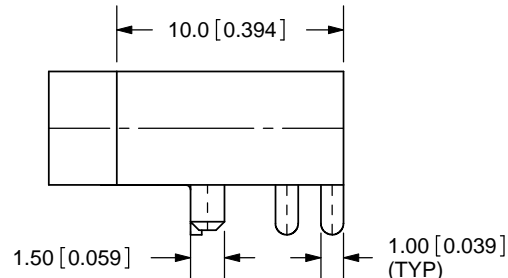
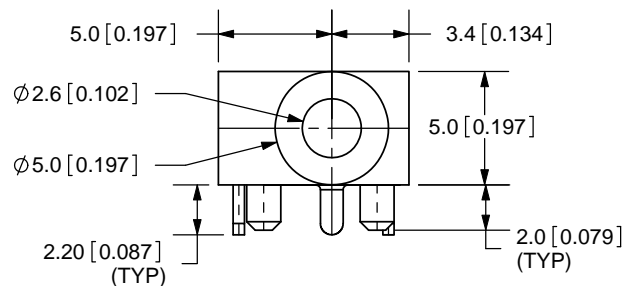
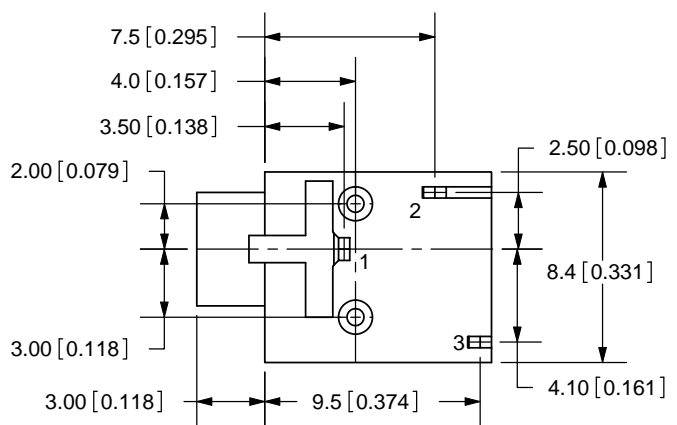


| REV. | DESCRIPTION             | DATE       |
|------|-------------------------|------------|
| A    | NEW DRAWING             | 11/30/2005 |
| B    | added missing dimension | 9/28/2009  |



PCB LAYOUT  
TOP VIEW



TOLERANCE:  
X. ±0.5mm  
X.X ±0.3mm  
X.XX ±0.15mm



|           |          |
|-----------|----------|
| MODEL NO. | SJ-2509N |
| SCHEMATIC |          |

**SPECIFICATIONS:**  
 RATING: 12V DC @ 1A  
 CONTACT RESISTANCE: 30m OHMS MAX  
 INSULATION RESISTANCE: 100M OHMS MIN: 500V DC  
 VOLTAGE WITHSTAND: 500V AC R.M.S. FOR 1 MINUTE  
 LIFE: 5,000 CYCLES  
 OPERATING TEMP: -20° ~ +60°C



20050 SW 112th Ave.  
 Tualatin, OR 97062  
 Phone: 503-643-4899  
 800-275-4899  
 Fax: 503-372-1266  
 Website: www.cui.com

| TERMINAL   | MATERIAL | PLATING | TITLE                   | REV.               |
|------------|----------|---------|-------------------------|--------------------|
| TERMINAL 1 | PBS      | Tin     | 2.5mm AUDIO JACK-STEREO | B                  |
| TERMINAL 2 | Brass    | Tin     | PART NO. SJ-2509N       | UNITS: MM [INCHES] |
| TERMINAL 3 | PBS      | Tin     |                         |                    |
| HOUSING    | PBT      |         | DRAWN BY: ZRJ           | APPROVED BY:       |
|            |          |         | SCALE:                  | 3:1                |

PC FILE NAME:  
SJ-2509N

COPYRIGHT 2009 BY CUI INC.

# Mouser Electronics

Authorized Distributor

Click to View Pricing, Inventory, Delivery & Lifecycle Information:

[CUI Devices:](#)

[SJ-2509N](#)