

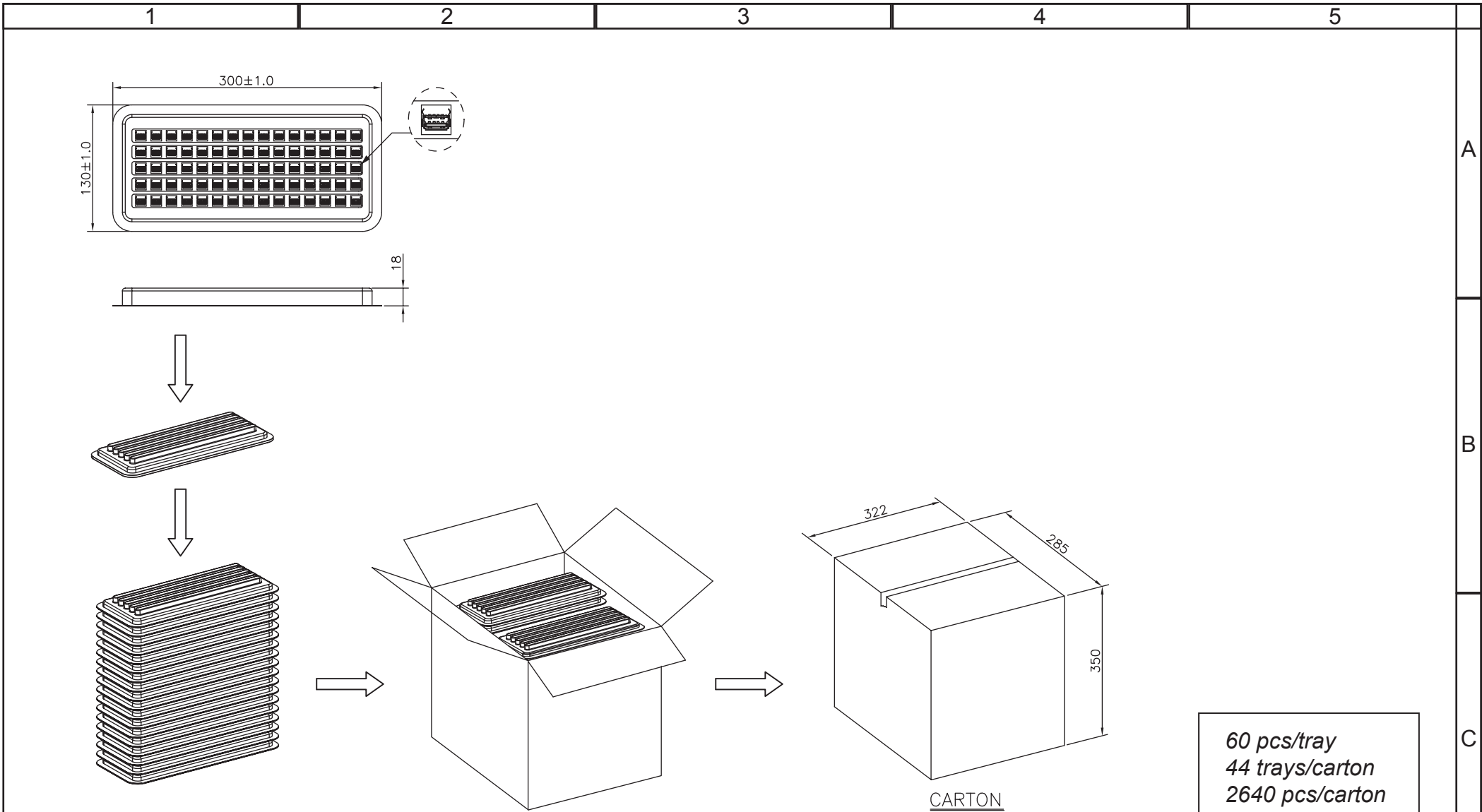
RoHS Compliant			
G			
F			
E			
D			
C	20-JUN-17	OTHER PINS	AK
B	23-JAN-17	CERTIFIED	AK
A	19-JUN-15	PDF	AK
REV	DATE	FILE	BY

PROJECTION:			
APPROVAL: NPr			

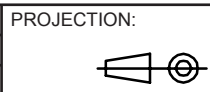
GENERAL TOLERANCE	
.X =	+/- 0.2
.XX =	+/- 0.15

UNIT: MM	DESCRIPTION: USB 2.0 TYPE A HORIZONTAL THT
SCALE:	
SHEET: 1/3	WERI PART NO: 614 004 190 021
DRAW: AK	

SIZE	A4



RoHS Compliant			
G			
F			
E			
D			
C			
B			
A			
REV	DATE	FILE	BY



GENERAL TOLERANCE
.X = ± 0.2
.XX = ± 0.15



APPROVAL: NPr

UNIT: MM
SCALE:
SHEET: 2/3
DRAW: AK

DESCRIPTION: USB 2.0 TYPE A HORIZONTAL THT
WERI PART NO: 614 004 190 021

SIZE
A4

1

2

3

4

5

Cautions and Warnings:

This electronic component is designed and developed with the intention for use in general electronics equipments.

Before incorporating the components into any equipments in the field such as aerospace, aviation, nuclear control, submarine, transportation, (automotive control, train control, ship control), transportation signal, disaster prevention, medical, public information network etc. where higher safety and reliability are especially required or if there is possibility of direct damage or injury to human body, Würth Elektronik must be asked for a written approval.

In addition, even electronic component in general electronic equipments, when used in electrical circuits that require high safety, reliability functions or performance, the sufficient reliability evaluation-check for the safety must be performed before by the user before usage.

A

B

C

RoHS Compliant

G				PROJECTION: 	GENERAL TOLERANCE .X = +/- 0.2 .XX = +/- 0.15		
F							
E							
D							
C				APPROVAL: JC	UNIT: MM	DESCRIPTION: DISCLAIMER	SIZE A4
B					SCALE:		
A	10-SEP-14	PDF	QL		SHEET: 3/3	WERI PART NO: DISCLAIMER	
REV	DATE	FILE	BY		DRAW: QL		

D

Mouser Electronics

Authorized Distributor

Click to View Pricing, Inventory, Delivery & Lifecycle Information:

[Wurth Elektronik:](#)

[614004190021](#)