

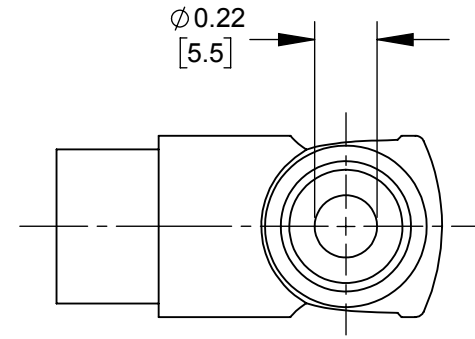
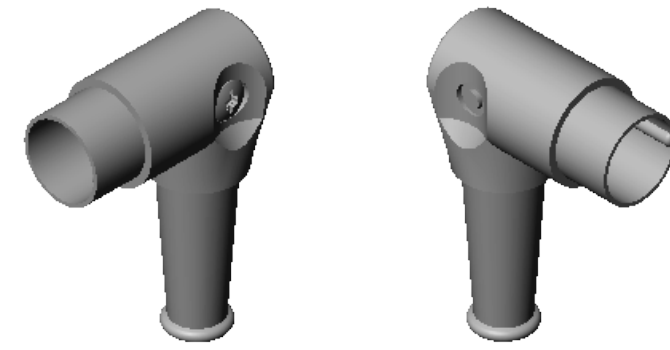
05DL5MX
5 PINS AT 180°

12DL5MX
5 PINS AT 240°

12DL6MX
6 PINS AT 240°

15DL7MX
7 PINS AT 270°

PIN LAYOUTS



- NOTES:
1. PIN HOUSING WITH KEYWAY CAN BE ROTATED 45° 8 POSITIONS.
 2. $\varnothing 0.04$ [1.0mm] X 0.08 [2.0mm] DEEP HOLE IN PIN FOR SOLDERING.
 3. $\varnothing 0.21$ [5.4mm] ID X 0.39 [10.0mm] LONG CABLE CLAMP TUBE NOT SHOWN.
 4. MATERIALS:
TWO PIECE HANDLE & PIN HOUSING - ZINC ALLOY, NICKEL PLATED
INSERT - THERMOPLASTIC, BLACK
PINS - COPPER ALLOY, TIN PLATED
FLEX RELIEF - THERMOPLASTIC, BLACK
CABLE CLAMP TUBE - COPPER ALLOY
SCREW - STEEL, NICKEL PLATED
 5. SHIPPED ASSEMBLED.
 6. THESE PRODUCTS ARE RoHS COMPLIANT.

CUSTOMER DRAWING

					THIS DRAWING DESCRIBES A DESIGN CONSIDERED PROPRIETARY IN NATURE, DEVELOPED AND MANUFACTURED BY SWITCHCRAFT INC. AND IS RELEASED ON A CONFIDENTIAL BASIS FOR IDENTIFICATION PURPOSES ONLY.						
					UNLESS OTHERWISE SPECIFIED	SIZE	WIDTH	MULT	LBS/M	TEMPER	
					1. ALL DIMENSIONS IN INCHES	FINISH				MATERIAL	
					- TWO PLACE DECIMALS ±0.02	SPEC No.				SPEC No.	
					- THREE PLACE DECIMALS ±0.005	FIRST USED ON		SCALE		Switchcraft [®]	
						3:2					
B	28010	3/14/18	TJK	TJK	DATE DRAWN	BY	CHKD TO	APVD	SHEET 1 OF 1		
A	26000	3/3/06	TJK	TJK	5-Jun-13	TO	6-5-13	TJK	PART No. 05DL_MX, 12DL_MX, 15DL_MX SERIES		
REV	ECO NUMBER	DATE	BY	APVD	NAME				REV		
REVISIONS					MALE DIN 5-7 PIN CORD PLUG CONNECTOR, RoHS				B		
					DO NOT SCALE DRAWING						

Mouser Electronics

Authorized Distributor

Click to View Pricing, Inventory, Delivery & Lifecycle Information:

[Switchcraft:](#)

[05DL5MX](#)