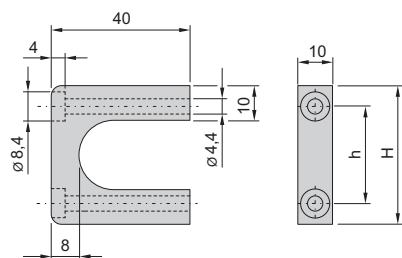


## Desk-top cases - Accessories

### Front handle, one-piece, width 10 mm



H = 1 U

02905050

- Static load-carrying capacity 30 kg/pair
- Bolted from front

#### Delivery comprises (kit)

Item	Qty	Description
1	2	Front handle, Al extrusion, anodised
2	1	Assembly kit

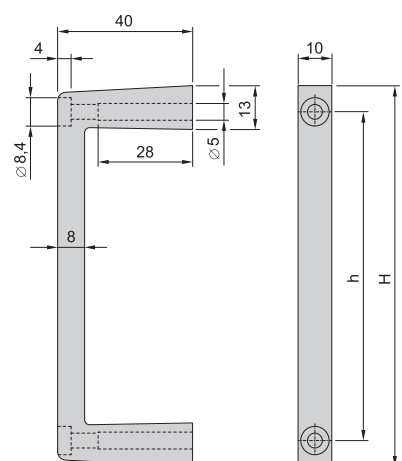
#### Order Information

Height H U	Height H mm	Height h mm	Part no.
1	40	28	20860-256
2	69	53	20860-257
3	113	97.5	20860-258
4	157.45	141.9	20860-259
5	201.9	186.4	20860-260



For further information [www.schroff.biz/oneclick](http://www.schroff.biz/oneclick)

oneClick search code = Part no.

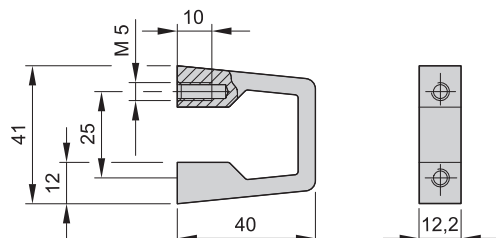


H ≥ 2 U

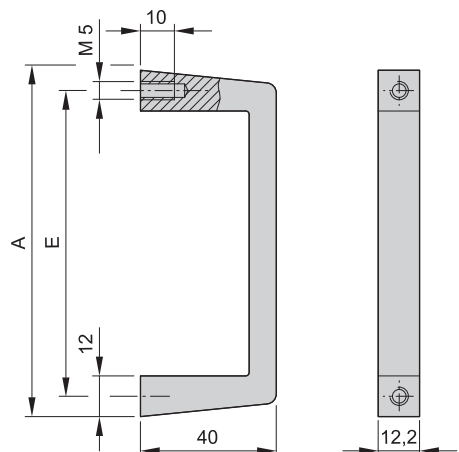
02905051

### Front handle, one-piece, width 12.2 mm

1 U



2 U ... 6 U



BZA42316

- Static load-carrying capacity 30 kg/pair
- Bolted from rear

#### Delivery comprises

Item	Qty	Description
1	1	Front handle, Al extrusion, anodised

#### Order Information

A mm	E mm	clear anodised Part no.	black anodised Part no.
41	25	10501-116	-
57.5	44.5	10501-016	-
69	55	10501-004	10501-025
102	88	10501-005	10501-026
132	120	10501-006	10501-027
146.4	133.4	10501-018	-
194	180	10501-007	10501-028
249	235	10501-008	10501-029

**Panhead pozidrive screw** self-locking, M5 × 12, zinc-plated, PU 100 pieces 21100-788

**Torx countersunk screw** M5 × 12, zinc-plated, 100 pieces 24560-183

Delivery is exclusively in Standard Pack Quantity (SPQ): Please order at least 10 front handles or a multiple. Pricing is per individual item.

#### Note

- Please order panhead screws separately

BZA42327