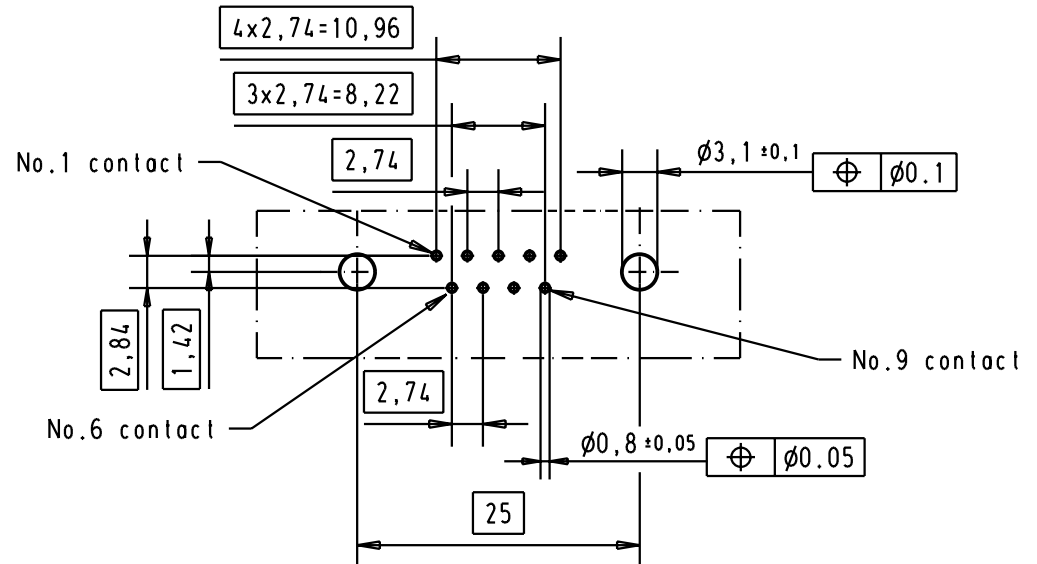
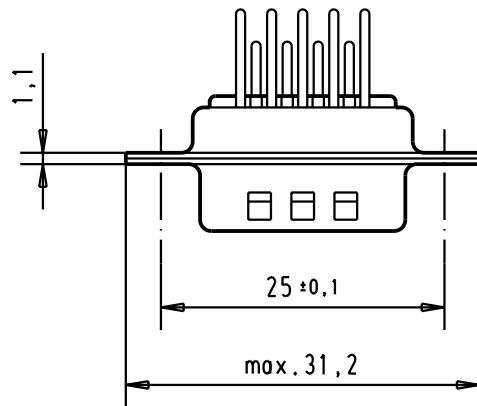
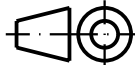



Printed board layout
component side



					DoI.	Name	 All Dim. in mm Orig. Size DIN A 4	D-Sub, Male, angled, 09 Poles with turned contacts, solder pins and without fixing brackets	Maßstab/ Scale 1.5:1	
					Detail.	09-APR-02				CV
					Insp.					
					Stand.					
09 67 009 5664		3.1 ± 0.1	2							
09 67 009 5663		3.1 ± 0.1	3							
Part number		ø hole	Performance level	Mod.	DoI.	Name	HARTING EURL F-95972 Paris		TB 0967009566x Sub.	
				29767	09-APR-02	CV				Blatt / Page 1 /