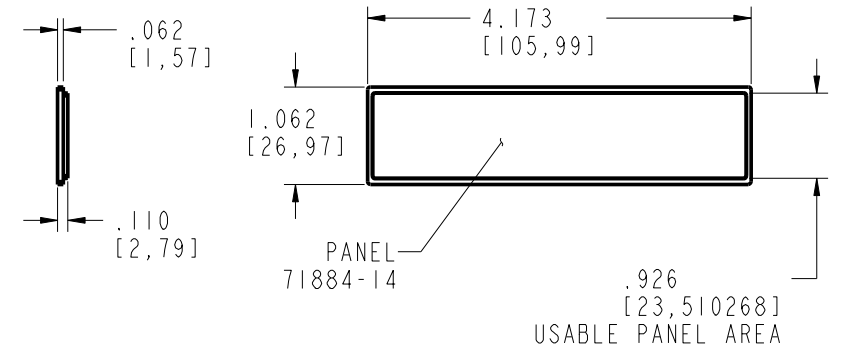
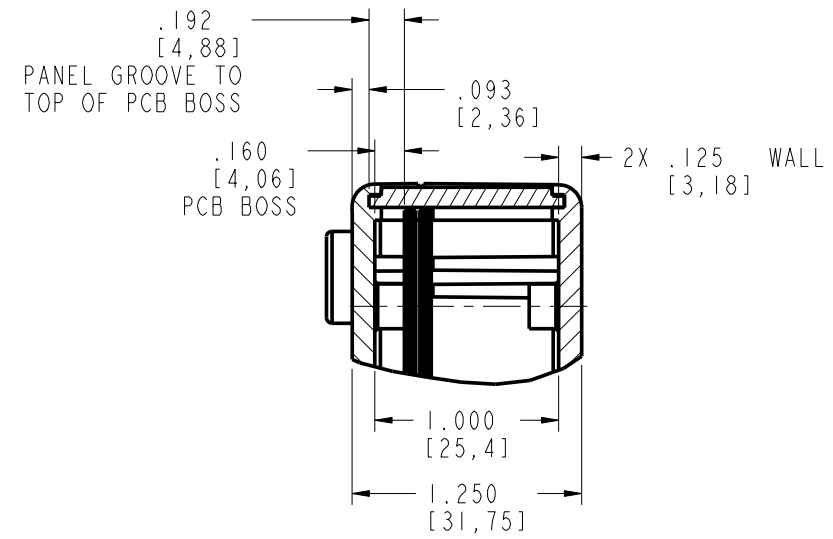
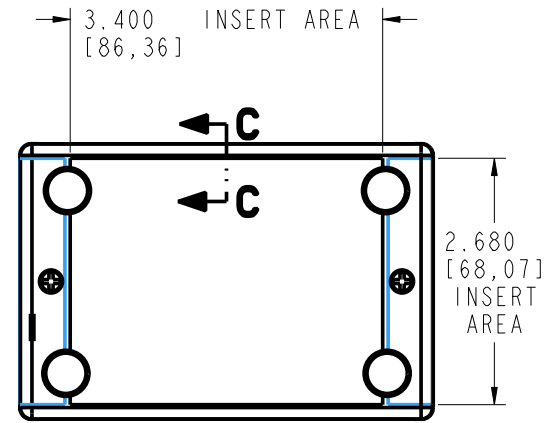


SECTION A-A

SECTION B-B

SECTION C-C
SCALE 2.000



PACNTEC[®]
1-610-361-4231

LH43-100

VISIT **PACNTEC**[®]
ON THE WORLD WIDE WEB
www.pactecenclosures.com

INSERT AREAS ARE SECTIONS IN OUR TOOLS
THAT CAN BE REMOVED AND REPLACED WITH
CUSTOMER SPECIFIC DETAILS

DRAWING NUMBER	REV
77240	C

Mouser Electronics

Authorized Distributor

Click to View Pricing, Inventory, Delivery & Lifecycle Information:

[PacTec:](#)

[75053-510-039 LH43-100 Bone Kit](#) [71884-14-060](#) [62040-510-039 HPL Bone Kit](#) [61906-510-039 CH-23 Bone Kit](#)