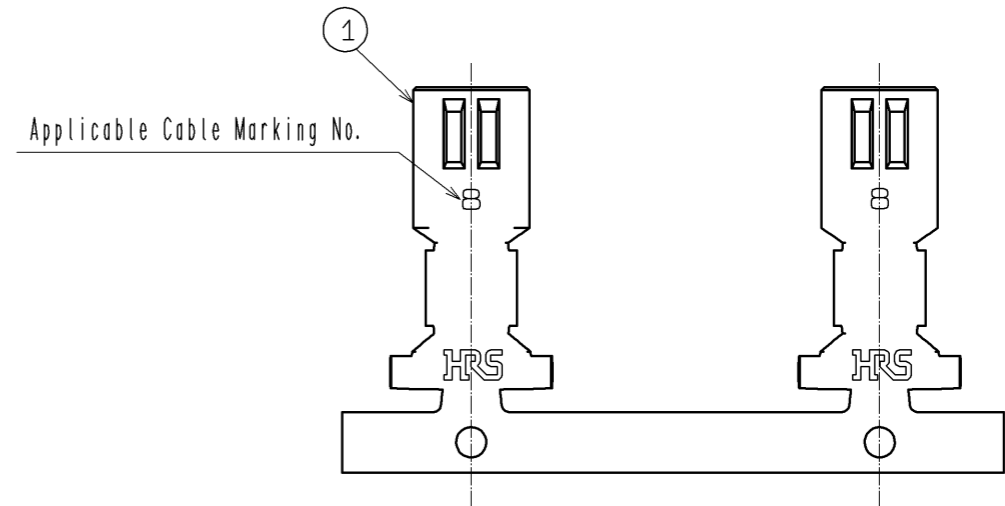
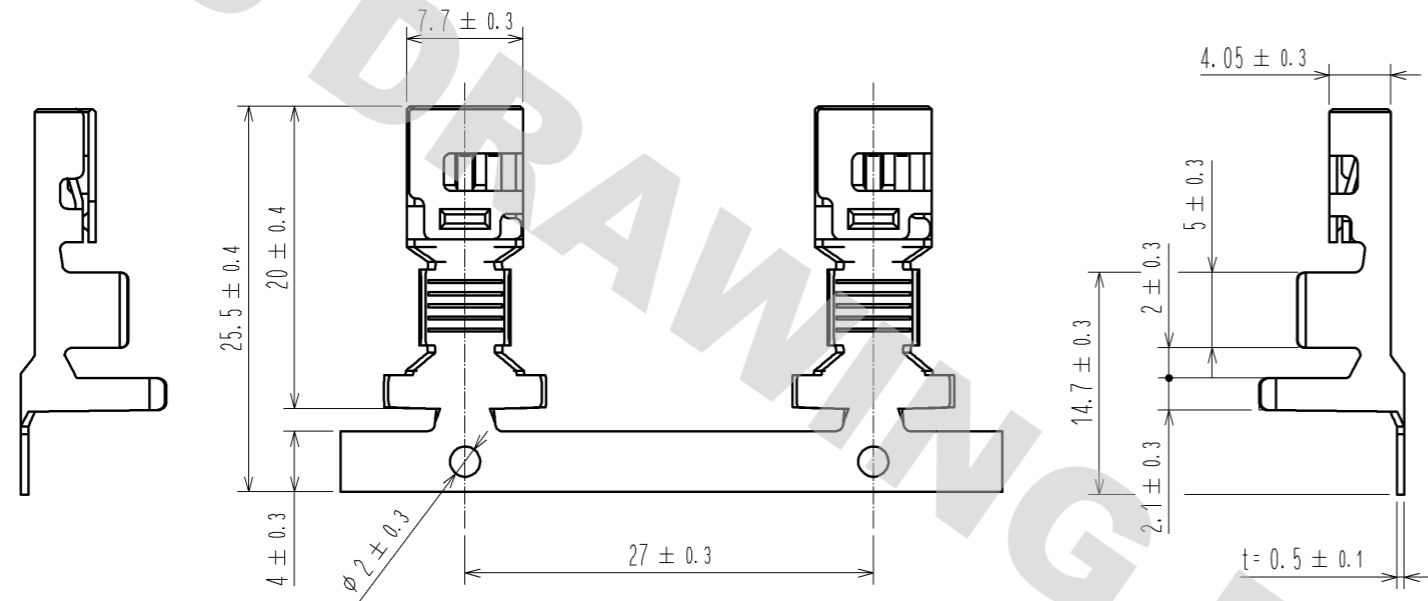
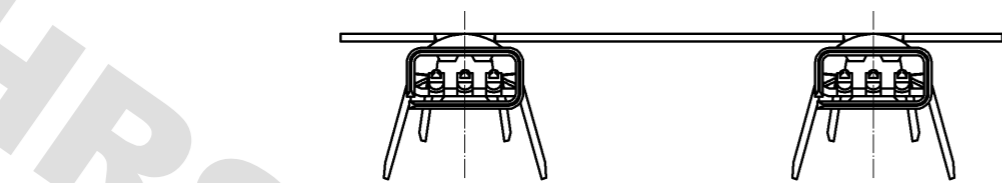
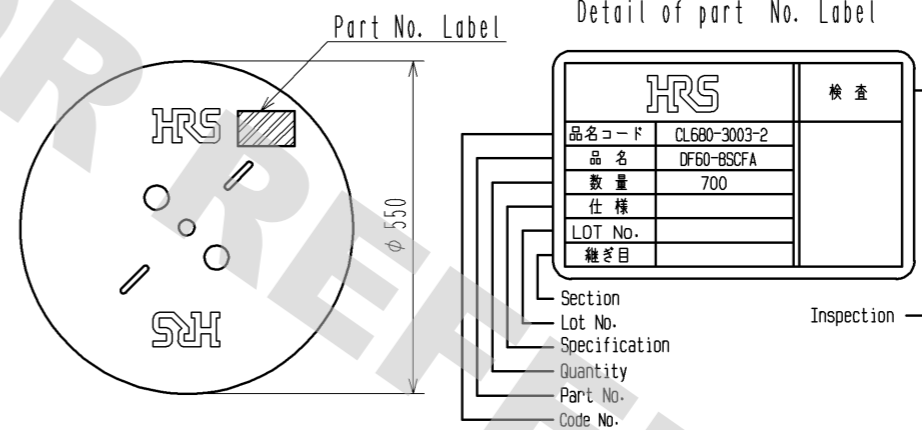


DRAWING FOR REFERENCE: This is subject to change without notice
08/11/2012



2 Style and Dimension of Reel



NOTE 1. 1RL:700 Contacts.

2 Style of Reel and Box Shows in Figure.

3. Please be sure to check the form of crimping using a cable. When you adjust Applicator.

NO.		MATERIAL		FINISH . REMARKS		NO.		MATERIAL		FINISH . REMARKS	
		1		COPPER ALLOY						Contact Area : Au Plating 0.2μm min Under Plating : Ni Plating 1μm min	
UNITS	mm	SCALE	2 : 1	COUNT	△	DESCRIPTION OF REVISIONS		DESIGNED	CHECKED	DATE	
HRS		HIROSE ELECTRIC CO., LTD.		APPROVED : KI. AKIYAMA		11. 08. 30		DRAWING NO.		EDC3-336566-00	
				CHECKED : OM. MIYAMOTO		11. 08. 30		PART NO.		DF60-8SCFA	
				DESIGNED : SZ. ONO		11. 08. 29		CODE NO.		CL680-3003-2-00	
				DRAWN : SZ. ONO		11. 08. 29				△ 1/1	