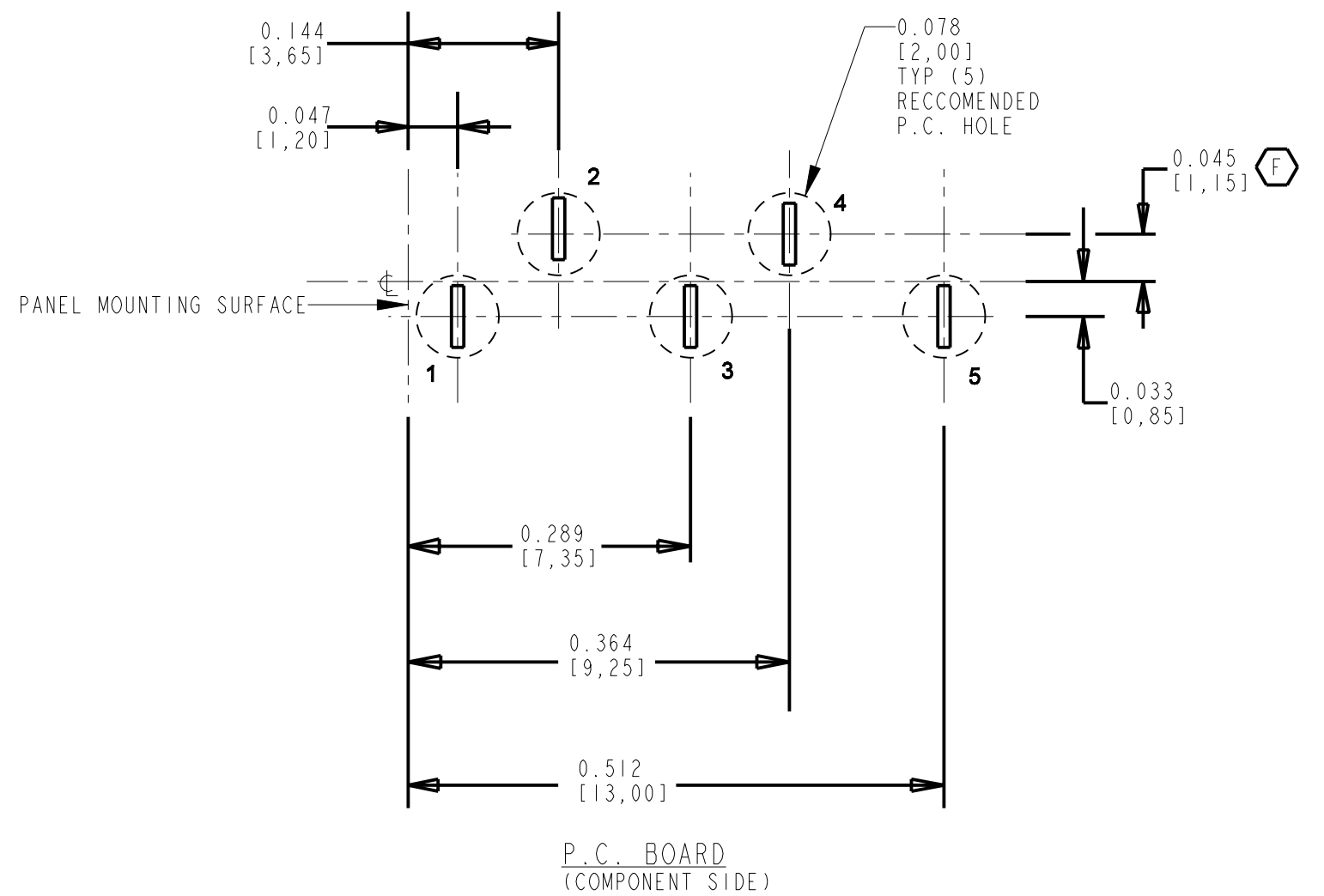
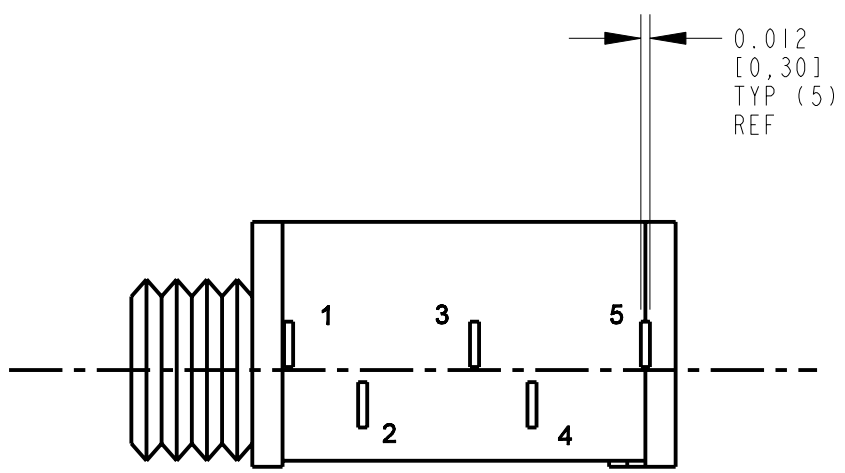
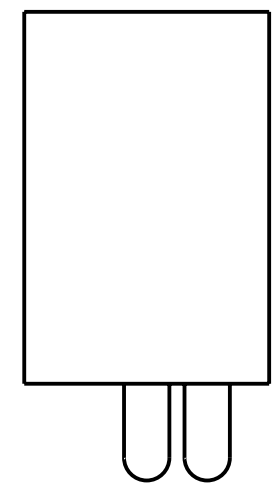
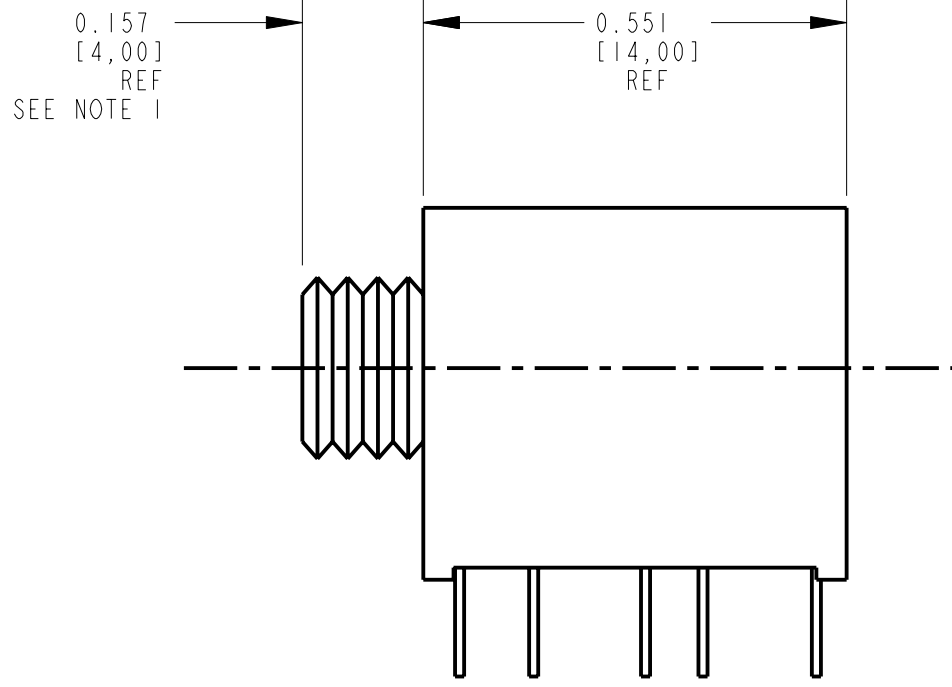
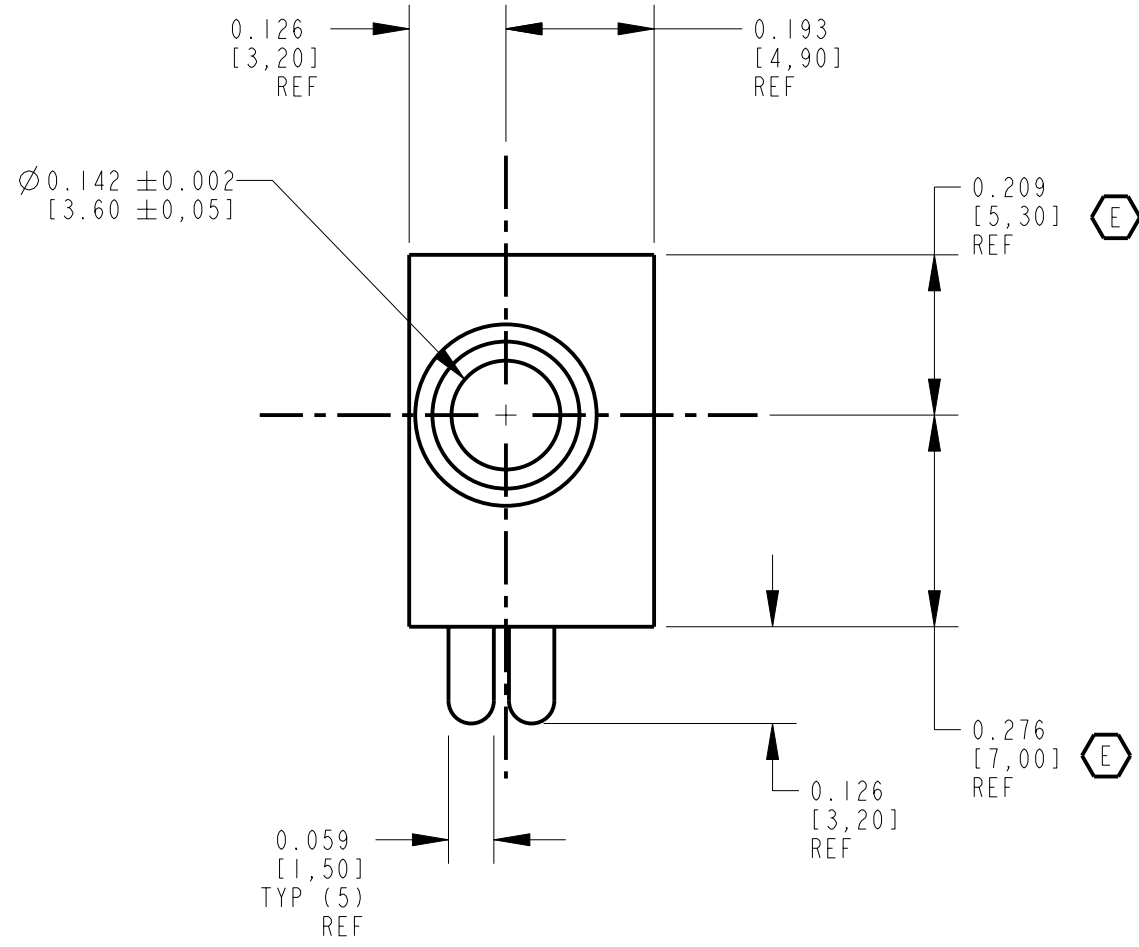
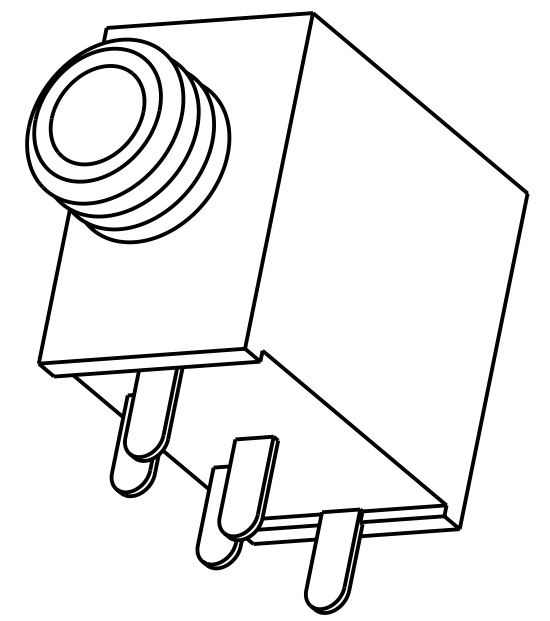
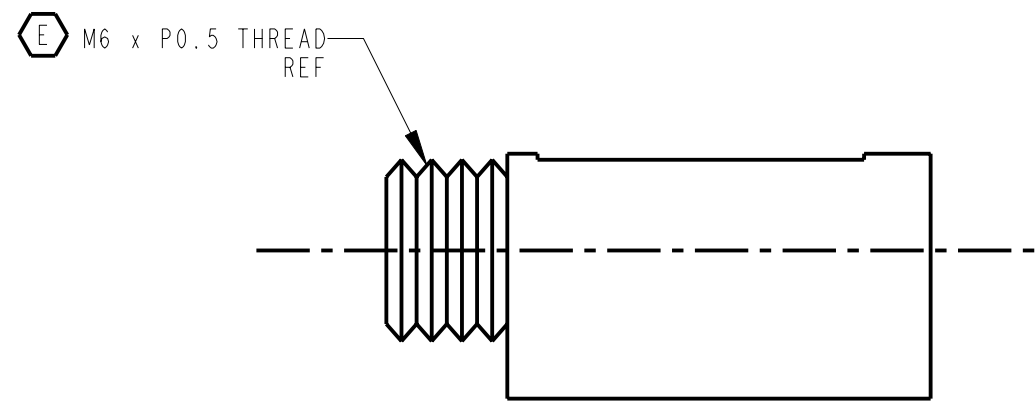


NOTES:

- ELECTRICAL:
CONTACT RESISTANCE: 20 MILLIOHMS MAX, INITIAL
50 MILLIOHMS MAX, AFTER LIFE
INSULATION RESISTANCE: 50 MEGAOHMS MIN. AT 500 VDC
DIELECTRIC WITHSTANDING VOLTAGE: 250 VAC
- MECHANICAL:
LIFE: 5000 CYCLES
INSERTION FORCE: 0,4 KG TO 1,6 KG
WITHDRAWAL FORCE: 0,4 KG TO 1,4 KG
- MATERIALS:
HOUSING: PBT +15% GLASS FILLED, BLACK, UL94V0
BUSHING: BRASS, NICKEL PLATED
SPRINGS: COPPER ALLOY, SILVER PLATED
COVER: POLYCARBONATE, CLEAR, UL94V0.
- THIS PRODUCT IS RoHS COMPLIANT.



PART NO.	SCHEMATIC
35RAPC3BV4	
35RAPC4BV4	
35RAPC2BV4	
35RAPC2AV4	

SUPPLIED WITH KNURL NUT.

CUSTOMER DRAWING

G	27551	8-4-15	TO	TJK	★ STAR SYMBOL DENOTES CRITICAL DIMENSION	THIS DRAWING DESCRIBES A DESIGN CONSIDERED PROPRIETARY IN NATURE, DEVELOPED AND MANUFACTURED BY SWITCHCRAFT INC. AND IS RELEASED ON A CONFIDENTIAL BASIS FOR IDENTIFICATION PURPOSES ONLY.					
F	27312	6-19-14	TJK	TJK							
E	26658	11-10-10	TO	TJK	UNLESS OTHERWISE SPECIFIED 1. ALL DIMENSIONS IN INCHES - TWO PLACE DECIMALS ±0.01 - THREE PLACE DECIMALS ±0.005 - FRACTIONAL DIMENSIONS ±1/64 - ANGLES ±1° - ALL DIA. CONCENTRIC WITHIN 0.005 T.I.R.	SIZE	WIDTH	MULT	LBS/M	TEMPER	
D	ECO #20278	11-5-96	MM	EBR		FINISH	MATERIAL				
C	ECO #19567	5-5-95	SG	GHJ		SPEC No.	SPEC No.				
B	ECO #19058	6-29-94	LR	EBR	2. FEATURES ON THE SAME CENTERLINE MUST BE ALIGNED WITHIN ±0.002	FIRST USED ON	SCALE	4:1	Switchcraft		
A	FIRST DRAWN	12-7-93	LR	EBR		DATE DRAWN	BY				CHKD
REV	ECO NUMBER	DATE	BY	APVD	3. REMOVE ALL BURRS	7-Dec-93	LR	12-10-93	12-10-93	SHEET 1 OF 1	
REVISIONS					DO NOT SCALE DRAWING	NAME	3.5 MM VERTICAL STEREO JACK, RoHS		PART No.	35RAPC_V4	REV G

Mouser Electronics

Authorized Distributor

Click to View Pricing, Inventory, Delivery & Lifecycle Information:

Switchcraft:

[35RAPC2BVN4](#) [35RAPC2BV4](#) [35RAPC3BV4](#) [35RAPC4BV4](#) [35RAPC2AV4](#)