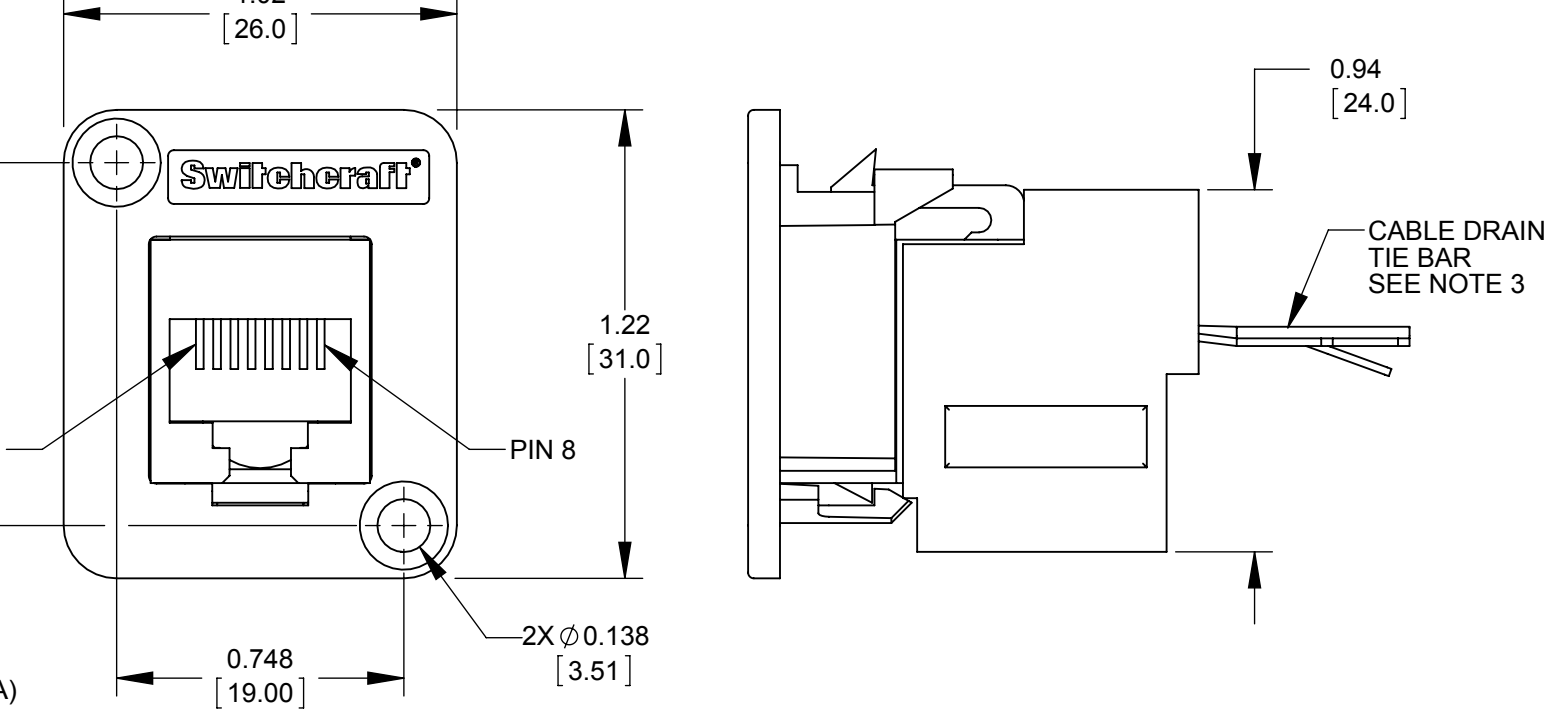
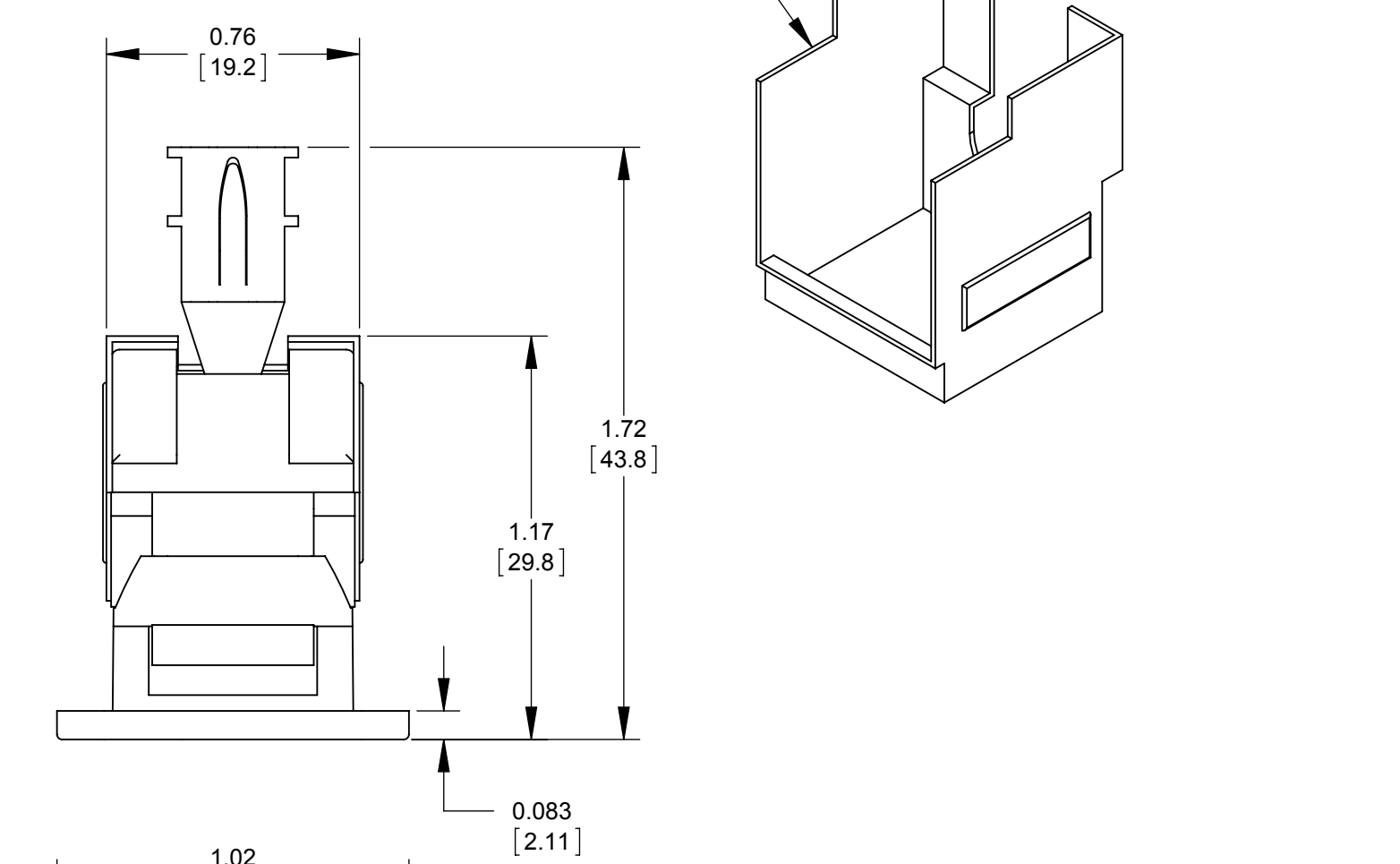
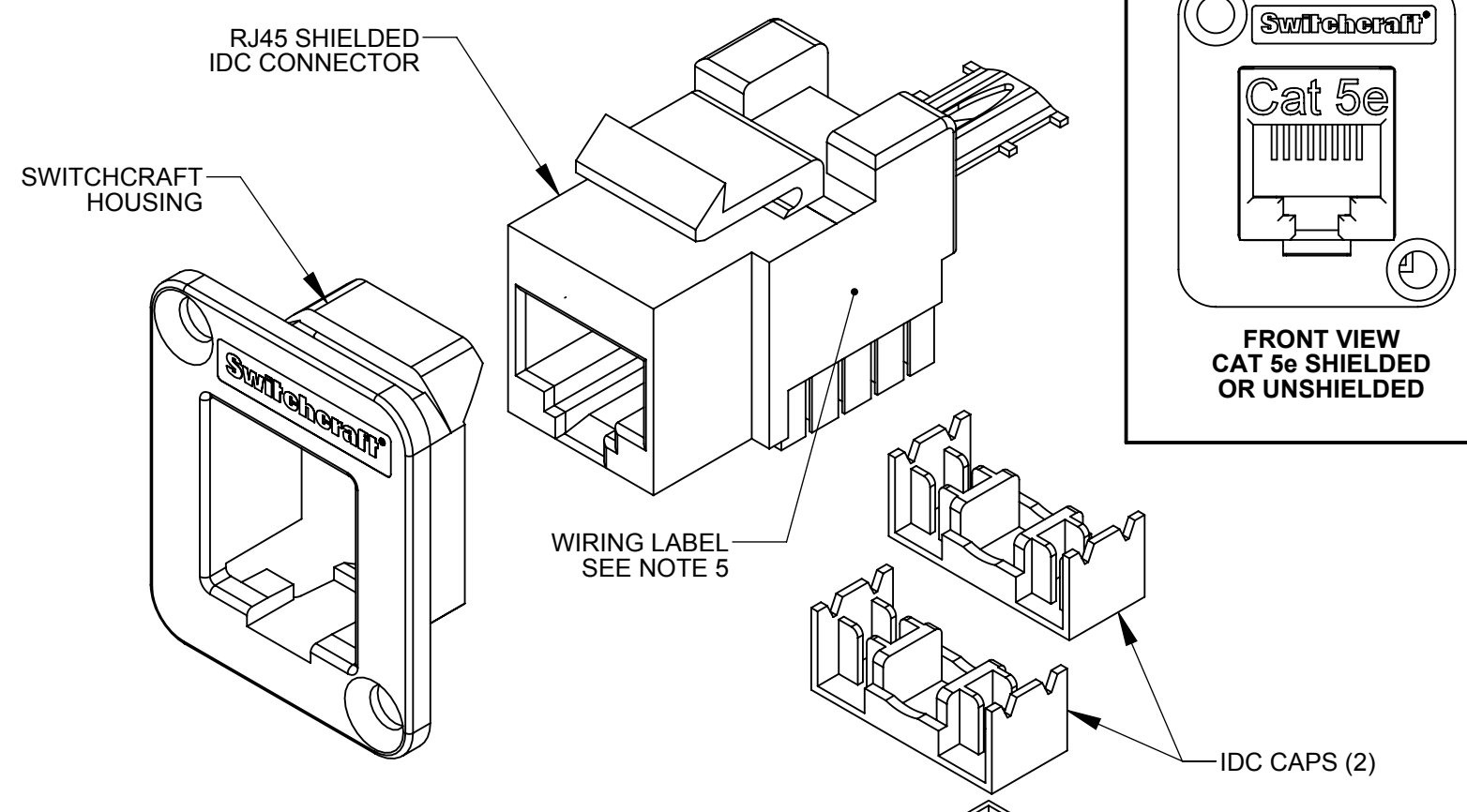


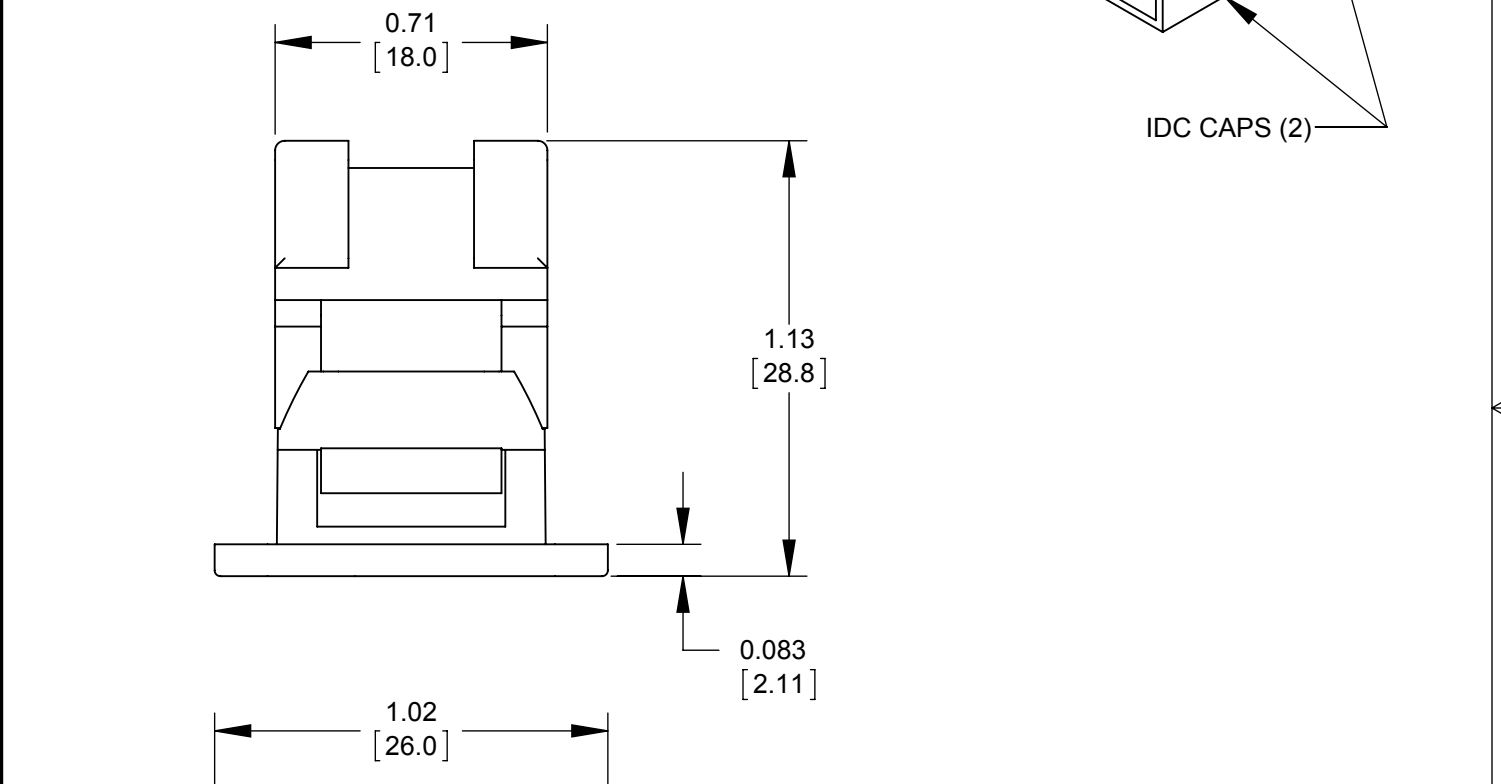
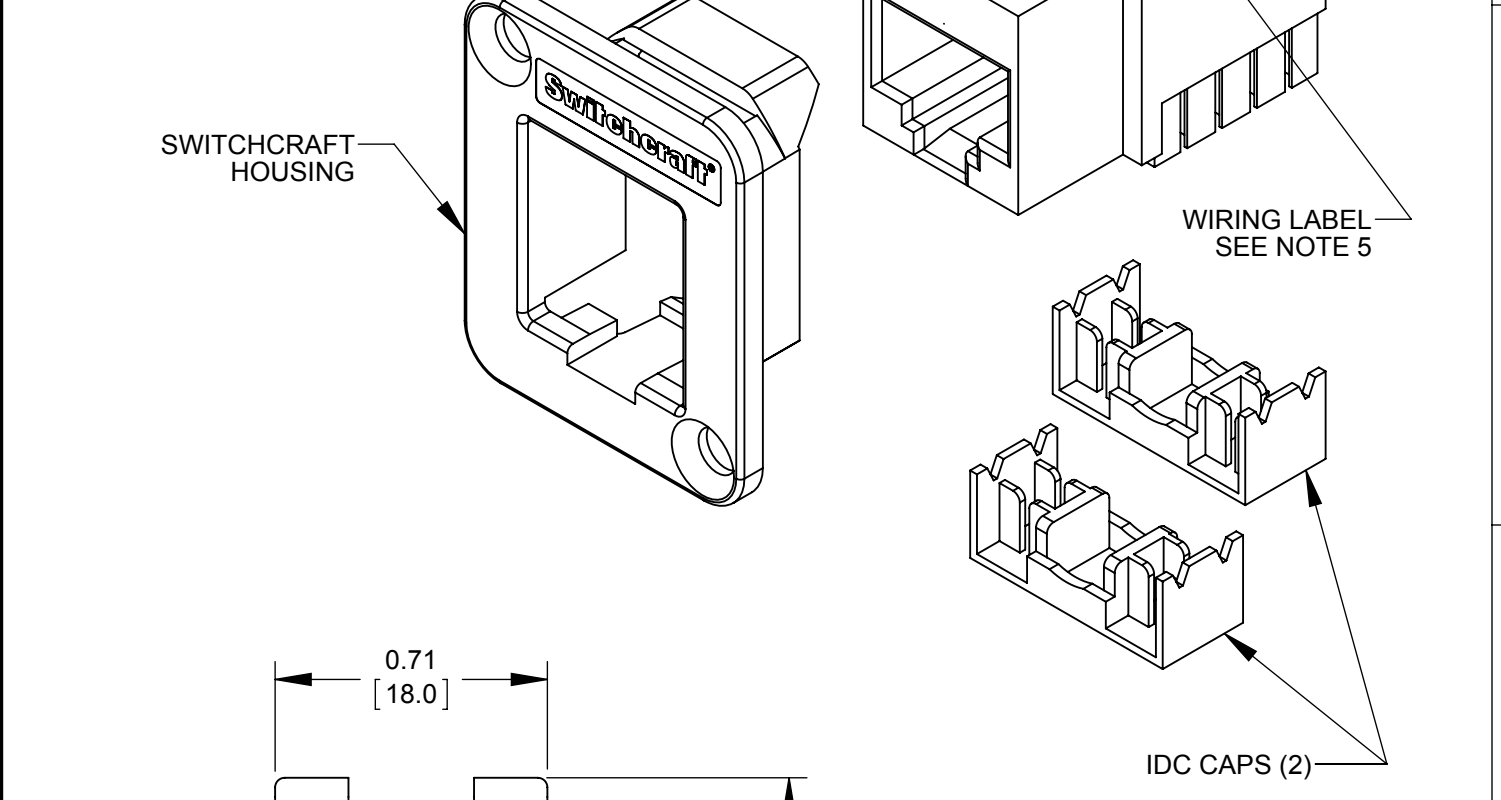
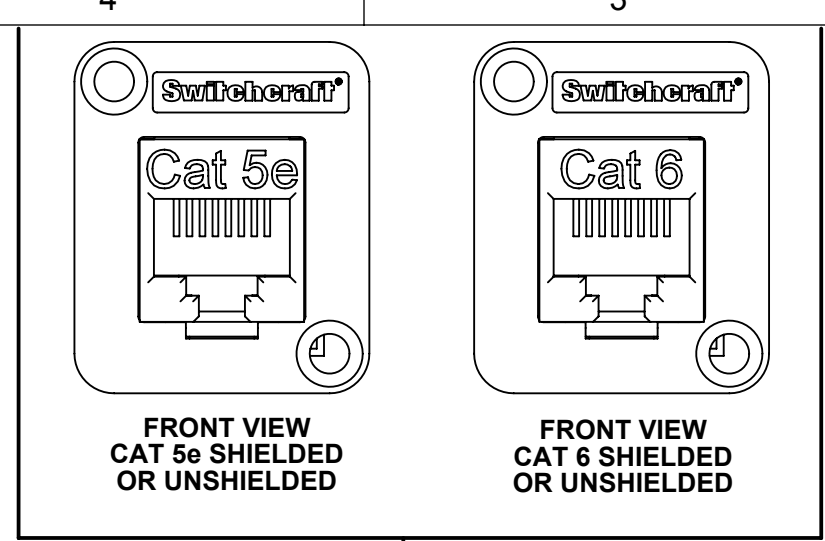
- ASSEMBLY INSTRUCTIONS:**
- INSTALL THE CABLE CONDUCTORS INTO THE RJ45 IDC CONNECTOR. SEE NOTE 5 AND FIGURE 2.
 - TERMINATE THE CABLE USING A KRONE/110 PUNCHDOWN TOOL.
 - (FOR SHIELDED VERSION)** WRAP THE DRAIN WIRE AROUND THE CABLE DRAIN TIE BAR. USE THE CABLE TIE (NOT SHOWN) TO SECURE THE CABLE TO THE BAR. SNAP THE IDC CAPS OVER THE IDC BLOCK.
 - (FOR SHIELDED VERSION)** SLIDE THE SHIELDED COVER INTO PLACE.
 - ASSEMBLE THE SWITCHCRAFT HOUSING ONTO THE FRONT OF THE PANEL USING THE RECOMMENDED PANEL CUT-OUT. SEE FIGURE 1.
 - SNAP THE RJ45 IDC CONNECTOR INTO THE SWITCHCRAFT HOUSING FROM THE BACK OF THE PANEL.

PART NUMBER	RJ45 IDC CONNECTOR
EHRJ45P5ESIDC	CAT5e SHIELDED
EHRJ45P5EIDC	CAT5e UNSHIELDED
EHRJ45P6SIDC	CAT6 SHIELDED
EHRJ45P6IDC	CAT6 UNSHIELDED

- NOTES:**
- THE RJ45 CAT 5e AND CAT 6 IDC CONNECTORS MEET TIA/EIA 568 B.2 STANDARD.
 - MATERIALS:**
 SWITCHCRAFT HOUSING - THERMOPLASTIC, BLACK
 RJ45 IDC CONNECTOR INSULATOR BODY- THERMOPLASTIC, BLACK
 CONTACTS- COPPER ALLOY, GOLD PLATED (CONTACT AREA)
 IDC TERMINALS- COPPER ALLOY, TIN PLATED
 IDC CAPS- THERMOPLASTIC, WHITE
(SHIELDED VERSION ONLY)
 SHIELD- COPPER ALLOY, NICKEL PLATED
 DRAIN WIRE TIE BAR - COPPER ALLOY, NICKEL PLATED
 - (SHIELDED VERSION ONLY)** FOR SHIELDING, TIE SHIELD/DRAIN WIRE TO THE TIE BAR AND SECURE WITH CABLE TIE PROVIDED (NOT SHOWN).
 - 22-26 AWG STRANDED OR SOLID WIRE IS RECOMMENDED.
 - THE RJ45 CONNECTOR CONTAINS A WIRING LABEL FOR T568A & T568B WIRING.
 - THIS ASSEMBLY IS RoHS COMPLIANT.



SHEILDED RJ45



UNSHIELDED RJ45

CUSTOMER DRAWING

UNLESS OTHERWISE SPECIFIED					THIS DRAWING DESCRIBES A DESIGN CONSIDERED PROPRIETARY IN NATURE, DEVELOPED AND MANUFACTURED BY SWITCHCRAFT INC. AND IS RELEASED ON A CONFIDENTIAL BASIS FOR IDENTIFICATION PURPOSES ONLY.					
1. ALL DIMENSIONS IN INCHES [mm]					SIZE	WIDTH	MULT	LBS/M	TEMPER	
- TWO PLACE DECIMALS ±0.02 [0.5]					FINISH SPEC No.				MATERIAL SPEC No.	
- THREE PLACE DECIMALS ±0.005 [0.13]					FIRST USED ON				SCALE 2:1	
DATE DRAWN		BY		CHKD	APVD					
10/03/14		AB		AB	TJK					
REV		ECO NUMBER		DATE		BY		APVD		
A		RELEASE TO PROD. 27394		10/23/14		PC		TJK		
DO NOT SCALE DRAWING					NAME				PART No.	REV
SolidWorks CAD File					EH SERIES RJ45 RA IDC, RoHS				EHRJ45P_IDC_SERIES	A

Mouser Electronics

Authorized Distributor

Click to View Pricing, Inventory, Delivery & Lifecycle Information:

[Switchcraft:](#)

[EHRJ45P5EIDC](#) [EHRJ45P5ESIDC](#) [EHRJ45P6IDC](#) [EHRJ45P6SIDC](#)