

# PSR-SCP-24DC/ESD/5X1/1X2/300 - Safety relays



2981428

<https://www.phoenixcontact.com/us/products/2981428>

Please be informed that the data shown in this PDF document is generated from our online catalog. Please find the complete data in the user documentation. Our general terms of use for downloads are valid.



Safety relay for emergency stop and safety door monitoring up to SIL 3 or Cat. 4, PL e (EN ISO 13849), one- or two-channel operation, automatic or manual activation, 3 N/O contacts, 1 N/C contact, 2 N/O contacts with dropout delay of 0.2 s ... 300 s, plug-in screw terminal block

## Your advantages

- Maximum of 3 undelayed and 2 dropout delay contacts
- Manually monitored and automatic activation
- Up to Cat. 3/4 and PL d/e in accordance with EN ISO 13849-1, SIL 3 in accordance with EN IEC 62061, SIL 3 in accordance with IEC 61508
- For emergency stop and safety door monitoring, plus evaluation of light grids
- 1- and 2-channel control
- Adjustable delay time of 0.2 s ... 300 s (24 increments)
- Protective labels to prevent manipulation of the set time (PSR-ESD-300) or electronic protection against manipulation (PSR-ESD-30)

## Commercial data

Item number	2981428
Packing unit	1 pc
Minimum order quantity	1 pc
Sales key	DN01
Product key	DNA131
Catalog page	Page 230 (C-6-2019)
GTIN	4017918975227
Weight per piece (including packing)	432 g
Weight per piece (excluding packing)	430 g
Customs tariff number	85371098
Country of origin	DE

## Technical data

### Product properties

Product type	Safety relays
Product family	PSRclassic
Application	Emergency stop
	Safety door
	Light grid
Mechanical service life	10x 10 <sup>6</sup> cycles
Relay type	Electromechanical relay with force-guided contacts in accordance with IEC/EN 61810-3

### Electrical properties

Maximum power dissipation for nominal condition	3.72 W
Nominal operating mode	100% operating factor

### Air clearances and creepage distances between the power circuits

Rated insulation voltage	250 V AC
Rated surge voltage/insulation	Basic insulation 4 kV: between all current paths and housing Safe isolation, reinforced insulation 6 kV: between 13/14, 23/24, 33/34, and the remaining current paths between 13/14, 23/24, 33/34 among one another

### Input data

#### General

Rated control circuit supply voltage $U_S$	24 V DC -15 % / +10 %
Power consumption at $U_S$	typ. 3.72 W
Rated control supply current $I_S$	typ. 155 mA
Inrush current	200 mA (at $U_S$ )
	< 40 mA (with $U_S/I_x$ to S10)
	< 150 mA (with $U_S/I_x$ to S12)
	> -60 mA (with $U_S/I_x$ to S22)
	< 40 mA (with $U_S/I_x$ to S34)
	< 40 mA (with $U_S/I_x$ to S35)
Current consumption	< 40 mA (with $U_S/I_x$ to S10)
	< 50 mA (with $U_S/I_x$ to S12)
	> -40 mA (with $U_S/I_x$ to S22)
	0 mA (with $U_S/I_x$ to S34)
	< 5 mA (with $U_S/I_x$ to S35)
Voltage at input/start and feedback circuit	24 V DC -15 % / +10 %
Filter time	1 ms (at A1 in the event of voltage dips at $U_S$ )
	max. 1.5 ms (at S10, S12; test pulse width)
	7.5 ms (at S10, S12; test pulse rate)
	Test pulse rate = 5 x Test pulse width

# PSR-SCP-24DC/ESD/5X1/1X2/300 - Safety relays



2981428

<https://www.phoenixcontact.com/us/products/2981428>

Typical response time	< 600 ms (automatic start)
	< 70 ms (manual start)
Typ. starting time with $U_s$	< 600 ms (when controlled via A1)
Typical release time	< 20 ms (when controlled via S11/S12 and S21/S22)
	< 20 ms (when controlled via A1)
Concurrence	$\infty$
Recovery time	< 1 s
Maximum switching frequency	0.5 Hz
Protective circuit	Surge protection; Suppressor diode
Max. permissible overall conductor resistance	approx. 22 $\Omega$ (Input and start circuits at $U_s$ )
Operating voltage display	1 x green LED
Status display	4 x green LEDs

## Output data

Contact switching type	5 enabling current paths
	1 signaling current path
Contact material	AgSnO <sub>2</sub>
Maximum switching voltage	250 V AC/DC (Observe the load curve)
Minimum switching voltage	5 V AC/DC
Limiting continuous current	6 A (N/O contact, pay attention to the derating)
	6 A (N/C contact)
Maximum inrush current	20 A ( $\Delta t \leq 100$ ms, undelayed contacts)
	8 A (delayed contacts)
Inrush current, minimum	10 mA
Sq. Total current	55 A <sup>2</sup> (observe derating)
Interrupting rating (ohmic load) max.	144 W (24 V DC, $\tau = 0$ ms)
	288 W (48 V DC, $\tau = 0$ ms)
	110 W (110 V DC, $\tau = 0$ ms, delayed contacts: 77 W)
	88 W (220 V DC, $\tau = 0$ ms)
	1500 VA (250 V AC, $\tau = 0$ ms, delayed contacts: 2000 VA)
Maximum interrupting rating (inductive load)	42 W (24 V DC, $\tau = 40$ ms, delayed contacts: 48 W)
	42 W (48 V DC, $\tau = 40$ ms, delayed contacts: 40 W)
	42 W (110 V DC, $\tau = 40$ ms, delayed contacts: 35 W)
	42 W (220 V DC, $\tau = 40$ ms, delayed contacts: 33 W)
Switching capacity min.	50 mW
Switching capacity (360/h cycles)	4 A (24 V DC)
	4 A (230 V AC)
Switching capacity (3600/h cycles)	2.5 A (24 V (DC13))
	3 A (230 V (AC15))
Output fuse	10 A gL/gG (N/O contact)
	6 A gL/gG (N/C contact)

## Connection data

Connection technology

# PSR-SCP-24DC/ESD/5X1/1X2/300 - Safety relays



2981428

<https://www.phoenixcontact.com/us/products/2981428>

pluggable	yes
-----------	-----

## Conductor connection

Connection method	Screw connection
Conductor cross section rigid	0.2 mm <sup>2</sup> ... 2.5 mm <sup>2</sup>
Conductor cross section flexible	0.2 mm <sup>2</sup> ... 2.5 mm <sup>2</sup>
Conductor cross-section AWG	24 ... 12
Stripping length	7 mm
Screw thread	M3

## Dimensions

Width	45 mm
Height	99 mm
Depth	114.5 mm

## Material specifications

Color (Housing)	yellow (RAL 1018)
Housing material	PBT

## Characteristics

### Safety data

Stop category	0
	1

### Safety data: EN ISO 13849

Category	4 (Undelayed contacts)
	3 (delayed contacts)
Performance level (PL)	e (for delayed contacts PL d)

### Safety data: IEC 61508 - High demand

Safety Integrity Level (SIL)	3 (for delayed contacts SIL 2)
------------------------------	--------------------------------

### Safety data: IEC 61508 - Low demand

Safety Integrity Level (SIL)	3 (for delayed contacts SIL 2)
------------------------------	--------------------------------

### Safety data: EN IEC 62061

Safety Integrity Level (SIL)	3 (for delayed contacts SIL 2)
------------------------------	--------------------------------

## Environmental and real-life conditions

### Ambient conditions

Degree of protection	IP20
Min. degree of protection of inst. location	IP54
Ambient temperature (operation)	-20 °C ... 55 °C (observe derating)
Ambient temperature (storage/transport)	-40 °C ... 70 °C
Maximum altitude	≤ 2000 m (Above sea level)
Max. permissible humidity (storage/transport)	75 % (on average, 85% infrequently, non-condensing)

# PSR-SCP-24DC/ESD/5X1/1X2/300 - Safety relays



2981428

<https://www.phoenixcontact.com/us/products/2981428>

Max. permissible relative humidity (operation)	75 % (on average, 85% infrequently, non-condensing)
Shock	15g
Vibration (operation)	10 Hz ... 150 Hz, 2g

## Approvals

CE

Certificate	CE-compliant
-------------	--------------

## Standards and regulations

Air clearances and creepage distances between the power circuits

Standards/regulations	IEC 60664-1
-----------------------	-------------

## Mounting

Mounting type	DIN rail mounting
Mounting position	any

# PSR-SCP-24DC/ESD/5X1/1X2/300 - Safety relays

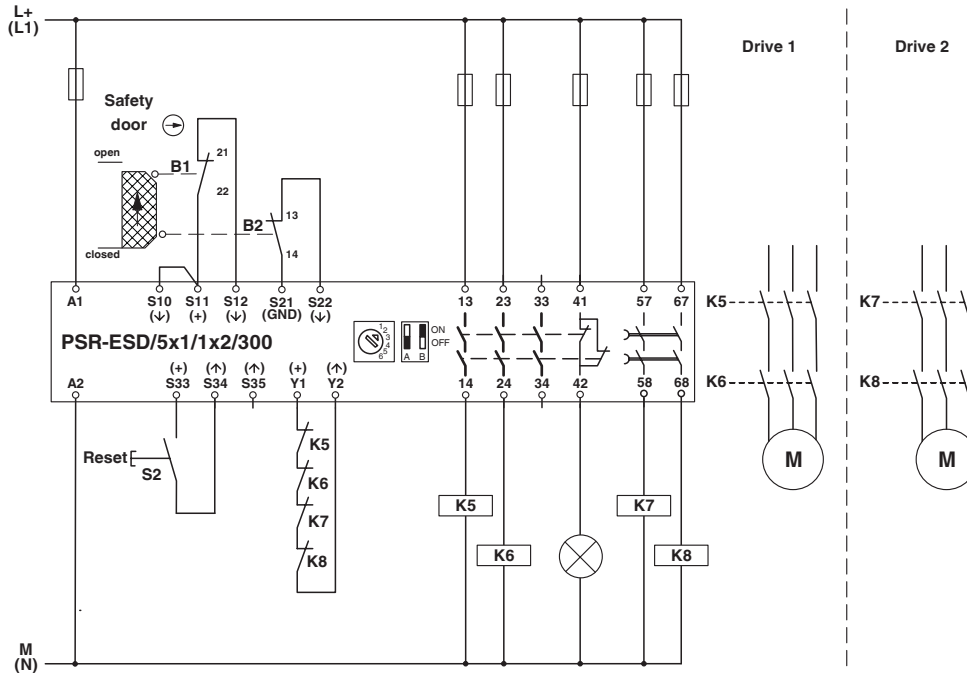


2981428

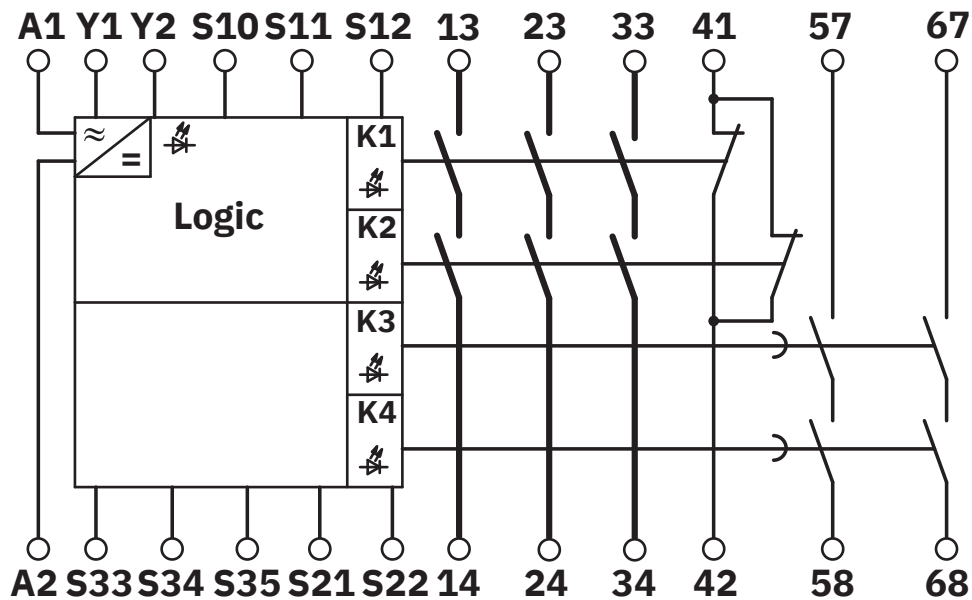
<https://www.phoenixcontact.com/us/products/2981428>

## Drawings

Circuit diagram



Circuit diagram



# PSR-SCP-24DC/ESD/5X1/1X2/300 - Safety relays



2981428

<https://www.phoenixcontact.com/us/products/2981428>

## Approvals

To download certificates, visit the product detail page: <https://www.phoenixcontact.com/us/products/2981428>



**EAC**

Approval ID: TR\_TS\_D\_00573\_c



**UL Listed**

Approval ID: FILE E 140324



**cUL Listed**

Approval ID: FILE E 140324



**Functional Safety**

Approval ID: 01/205/5347.04/23

**cULus Listed**

# PSR-SCP-24DC/ESD/5X1/1X2/300 - Safety relays



2981428

<https://www.phoenixcontact.com/us/products/2981428>

## Classifications

### ECLASS

ECLASS-11.0	27371819
ECLASS-12.0	27371819
ECLASS-13.0	27371819

### ETIM

ETIM 9.0	EC001449
----------	----------

### UNSPSC

UNSPSC 21.0	39122200
-------------	----------



2981428

<https://www.phoenixcontact.com/us/products/2981428>

## Environmental product compliance

### EU RoHS

Fulfills EU RoHS substance requirements	Yes
Exemption	7(a), 7(c)-I

### China RoHS

Environment friendly use period (EFUP)	EFUP-50
	An article-related China RoHS declaration table can be found in the download area for the respective article under "Manufacturer declaration". For all articles with EFUP-E, no China RoHS declaration table issued and required.

### EU REACH SVHC

REACH candidate substance (CAS No.)	Lead(CAS: 7439-92-1)
SCIP	ca5a2a67-a45c-4a19-95d5-8784c790051e

# PSR-SCP-24DC/ESD/5X1/1X2/300 - Safety relays



2981428

<https://www.phoenixcontact.com/us/products/2981428>

## Accessories

### CRIMPFOX 6 - Crimping pliers

1212034

<https://www.phoenixcontact.com/us/products/1212034>



Crimping pliers, for ferrules without insulating collar according to DIN 46228 Part 1 and ferrules with insulating collar according to DIN 46228 Part 4, 0.25 mm<sup>2</sup> ... 6.0 mm<sup>2</sup>, lateral entry, trapezoidal crimp

---

Phoenix Contact 2024 © - all rights reserved  
<https://www.phoenixcontact.com>

Phoenix Contact USA  
586 Fulling Mill Road  
Middletown, PA 17057, United States  
(+717) 944-1300  
[info@phoenixcon.com](mailto:info@phoenixcon.com)