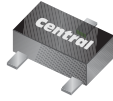


**CMUT2222A**  
**SURFACE MOUNT**  
**NPN SILICON TRANSISTOR**

**ULTRAmi<sup>TM</sup>**



**SOT-523 CASE**

**Central<sup>TM</sup>**  
**Semiconductor Corp.**

[www.centrasemi.com](http://www.centrasemi.com)

**DESCRIPTION:**

The CENTRAL SEMICONDUCTOR CMUT2222A type is an NPN silicon transistor manufactured by the epitaxial planar process, epoxy molded in an ULTRAmi<sup>TM</sup> surface mount package, designed for small signal general purpose and switching applications.

**MARKING CODE: PC1**

**MAXIMUM RATINGS:** ( $T_A=25^\circ\text{C}$ )

	SYMBOL		UNITS
Collector-Base Voltage	$V_{CBO}$	75	V
Collector-Emitter Voltage	$V_{CEO}$	40	V
Emitter-Base Voltage	$V_{EBO}$	6.0	V
Continuous Collector Current	$I_C$	600	mA
Power Dissipation	$P_D$	250	mW
Operating and Storage Junction Temperature	$T_J, T_{stg}$	-65 to +150	$^\circ\text{C}$
Thermal Resistance	$\Theta_{JA}$	500	$^\circ\text{C}/\text{W}$

**ELECTRICAL CHARACTERISTICS:** ( $T_A=25^\circ\text{C}$  unless otherwise noted)

SYMBOL	TEST CONDITIONS	MIN	MAX	UNITS
$I_{CBO}$	$V_{CB}=60\text{V}$		10	nA
$I_{CBO}$	$V_{CB}=60\text{V}, T_A=125^\circ\text{C}$		10	$\mu\text{A}$
$I_{CEV}$	$V_{CE}=60\text{V}, V_{EB}=3.0\text{V}$		10	nA
$I_{EBO}$	$V_{EB}=3.0\text{V}$		10	nA
$BV_{CBO}$	$I_C=10\mu\text{A}$	75		V
$BV_{CEO}$	$I_C=10\text{mA}$	40		V
$BV_{EBO}$	$I_E=10\mu\text{A}$	6.0		V
$V_{CE(SAT)}$	$I_C=150\text{mA}, I_B=15\text{mA}$		0.3	V
$V_{CE(SAT)}$	$I_C=500\text{mA}, I_B=50\text{mA}$		1.0	V
$V_{BE(SAT)}$	$I_C=150\text{mA}, I_B=15\text{mA}$	0.6	1.2	V
$V_{BE(SAT)}$	$I_C=500\text{mA}, I_B=50\text{mA}$		2.0	V
$h_{FE}$	$V_{CE}=10\text{V}, I_C=0.1\text{mA}$	35		
$h_{FE}$	$V_{CE}=10\text{V}, I_C=1.0\text{mA}$	50		
$h_{FE}$	$V_{CE}=10\text{V}, I_C=10\text{mA}$	75		
$h_{FE}$	$V_{CE}=10\text{V}, I_C=150\text{mA}$	100	300	
$h_{FE}$	$V_{CE}=1.0\text{V}, I_C=150\text{mA}$	50		
$h_{FE}$	$V_{CE}=10\text{V}, I_C=500\text{mA}$	40		

R3 (9-February 2010)

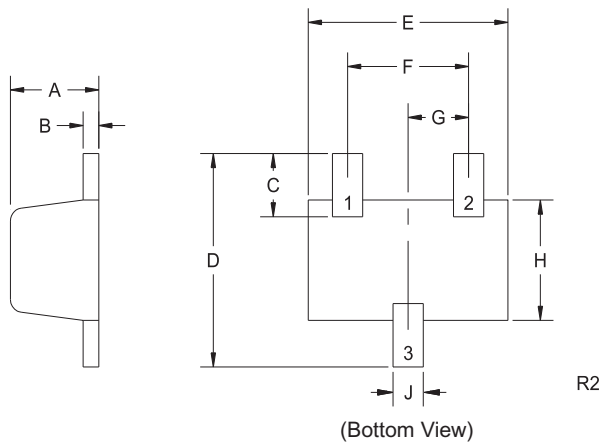
**CMUT2222A**  
**SURFACE MOUNT**  
**NPN SILICON TRANSISTOR**



**ELECTRICAL CHARACTERISTICS - Continued:** ( $T_A=25^\circ\text{C}$  unless otherwise noted)

SYMBOL	TEST CONDITIONS	MIN	MAX	UNITS
$f_T$	$V_{CE}=20\text{V}$ , $I_C=20\text{mA}$ , $f=100\text{MHz}$	300		MHz
$C_{ob}$	$V_{CB}=10\text{V}$ , $I_E=0$ , $f=1.0\text{MHz}$		8.0	pF
$C_{ib}$	$V_{EB}=0.5\text{V}$ , $I_C=0$ , $f=1.0\text{MHz}$		25	pF
$h_{ie}$	$V_{CE}=10\text{V}$ , $I_C=1.0\text{mA}$ , $f=1.0\text{kHz}$	2.0	8.0	$k\Omega$
$h_{ie}$	$V_{CE}=10\text{V}$ , $I_C=10\text{mA}$ , $f=1.0\text{kHz}$	0.25	1.25	$k\Omega$
$h_{re}$	$V_{CE}=10\text{V}$ , $I_C=1.0\text{mA}$ , $f=1.0\text{kHz}$		8.0	$\times 10^{-4}$
$h_{re}$	$V_{CE}=10\text{V}$ , $I_C=10\text{mA}$ , $f=1.0\text{kHz}$		4.0	$\times 10^{-4}$
$h_{fe}$	$V_{CE}=10\text{V}$ , $I_C=1.0\text{mA}$ , $f=1.0\text{kHz}$	50	300	
$h_{fe}$	$V_{CE}=10\text{V}$ , $I_C=10\text{mA}$ , $f=1.0\text{kHz}$	75	375	
$h_{oe}$	$V_{CE}=10\text{V}$ , $I_C=1.0\text{mA}$ , $f=1.0\text{kHz}$	5.0	35	$\mu\text{S}$
$h_{oe}$	$V_{CE}=10\text{V}$ , $I_C=10\text{mA}$ , $f=1.0\text{kHz}$	25	200	$\mu\text{S}$
$rb'C_c$	$V_{CB}=10\text{V}$ , $I_E=20\text{mA}$ , $f=31.8\text{MHz}$		150	ps
NF	$V_{CE}=10\text{V}$ , $I_C=100\mu\text{A}$ , $R_S=1.0k\Omega$ , $f=1.0\text{kHz}$		4.0	dB
$t_d$	$V_{CC}=30\text{V}$ , $V_{BE}=0.5\text{V}$ , $I_C=150\text{mA}$ , $I_{B1}=15\text{mA}$		10	ns
$t_r$	$V_{CC}=30\text{V}$ , $V_{BE}=0.5\text{V}$ , $I_C=150\text{mA}$ , $I_{B1}=15\text{mA}$		25	ns
$t_s$	$V_{CC}=30\text{V}$ , $I_C=150\text{mA}$ , $I_{B1}=I_{B2}=15\text{mA}$		225	ns
$t_f$	$V_{CC}=30\text{V}$ , $I_C=150\text{mA}$ , $I_{B1}=I_{B2}=15\text{mA}$		60	ns

**SOT-523 CASE - MECHANICAL OUTLINE**



SYMBOL	DIMENSIONS			
	INCHES		MILLIMETERS	
	MIN	MAX	MIN	MAX
A	0.023	0.031	0.58	0.78
B	0.002	0.008	0.04	0.20
C	0.013	0.021	0.34	0.54
D	0.059	0.067	1.50	1.70
E	0.059	0.067	1.50	1.70
F	0.035	0.043	0.90	1.10
G	0.020		0.50	
H	0.031	0.039	0.78	0.98
J	0.010	0.014	0.25	0.35

SOT-523 (REV: R2)

**LEAD CODE:**

- 1) Base
- 2) Emitter
- 3) Collector

**MARKING CODE: PC1**

R3 (9-February 2010)

## OUTSTANDING SUPPORT AND SUPERIOR SERVICES



---

### PRODUCT SUPPORT

Central's operations team provides the highest level of support to insure product is delivered on-time.

- Supply management (Customer portals)
- Inventory bonding
- Consolidated shipping options
- Custom bar coding for shipments
- Custom product packing

---

### DESIGNER SUPPORT/SERVICES

Central's applications engineering team is ready to discuss your design challenges. Just ask.

- Free quick ship samples (2<sup>nd</sup> day air)
- Online technical data and parametric search
- SPICE models
- Custom electrical curves
- Environmental regulation compliance
- Customer specific screening
- Up-screening capabilities
- Special wafer diffusions
- PbSn plating options
- Package details
- Application notes
- Application and design sample kits
- Custom product and package development

---

### REQUESTING PRODUCT PLATING

1. If requesting Tin/Lead plated devices, add the suffix "TIN/LEAD" to the part number when ordering (example: 2N2222A TIN/LEAD).
2. If requesting Lead (Pb) Free plated devices, add the suffix "PBFREE" to the part number when ordering (example: 2N2222A PBFREE).

---

### CONTACT US

#### Corporate Headquarters & Customer Support Team

Central Semiconductor Corp.  
145 Adams Avenue  
Hauppauge, NY 11788 USA  
Main Tel: (631) 435-1110  
Main Fax: (631) 435-1824  
Support Team Fax: (631) 435-3388  
[www.centrasemi.com](http://www.centrasemi.com)

**Worldwide Field Representatives:**  
[www.centrasemi.com/wwreps](http://www.centrasemi.com/wwreps)

**Worldwide Distributors:**  
[www.centrasemi.com/wwdistributors](http://www.centrasemi.com/wwdistributors)

---

For the latest version of Central Semiconductor's **LIMITATIONS AND DAMAGES DISCLAIMER**, which is part of Central's Standard Terms and Conditions of sale, visit: [www.centrasemi.com/terms](http://www.centrasemi.com/terms)

# Mouser Electronics

Authorized Distributor

Click to View Pricing, Inventory, Delivery & Lifecycle Information:

[Central Semiconductor:](#)

[CMUT2222A TR PBFREE](#)