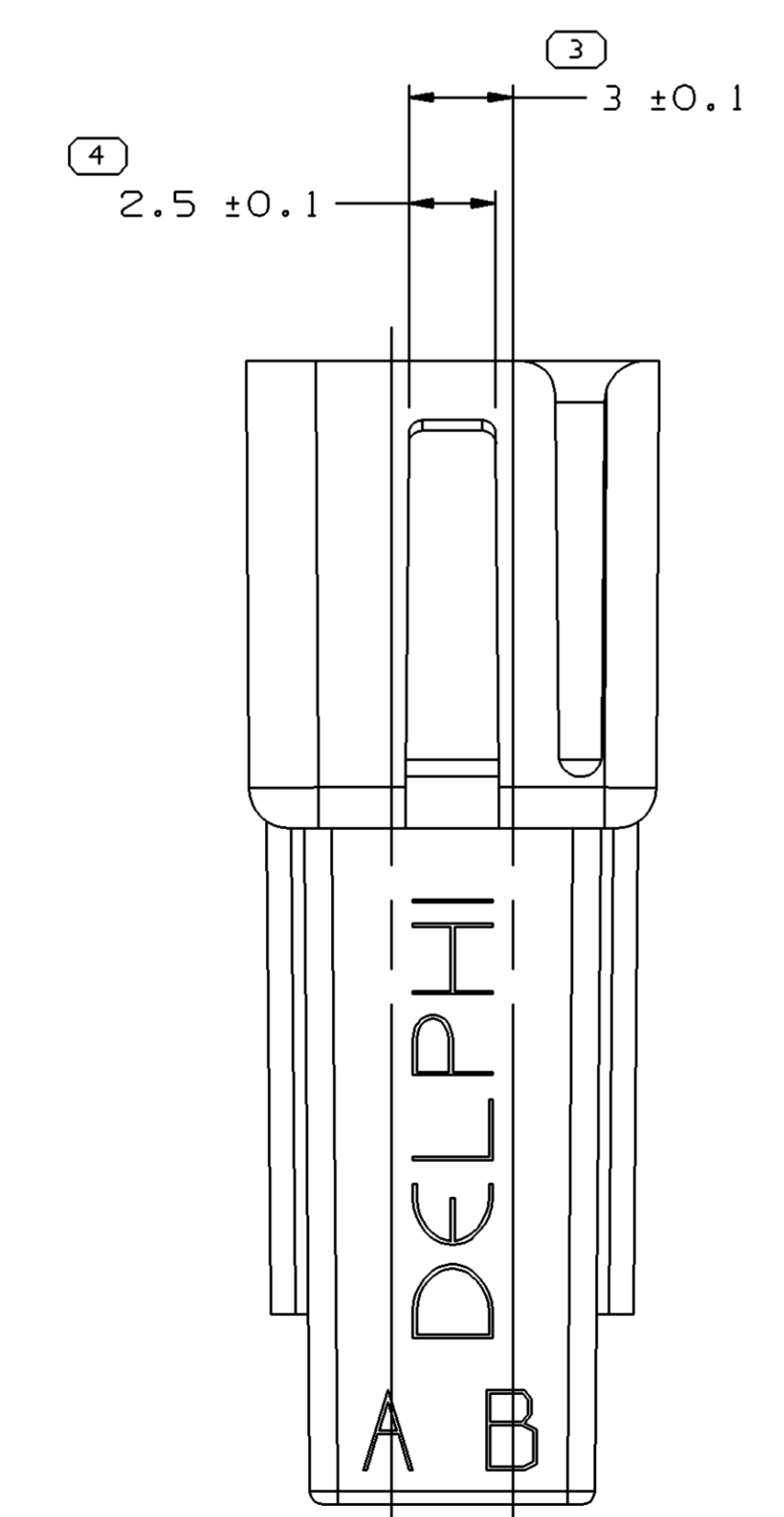
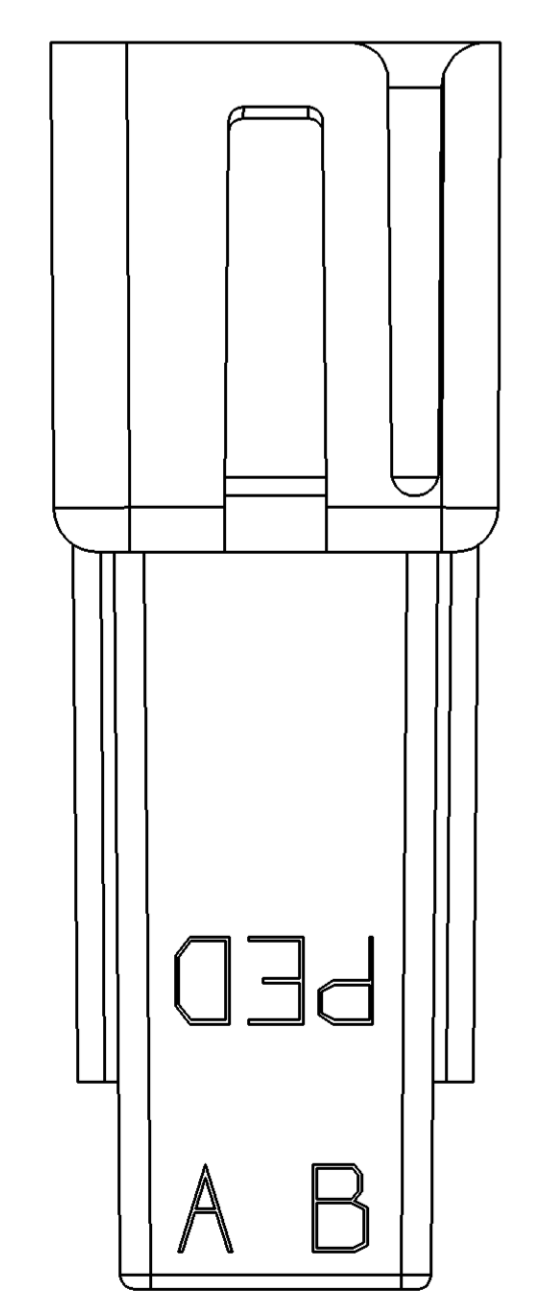
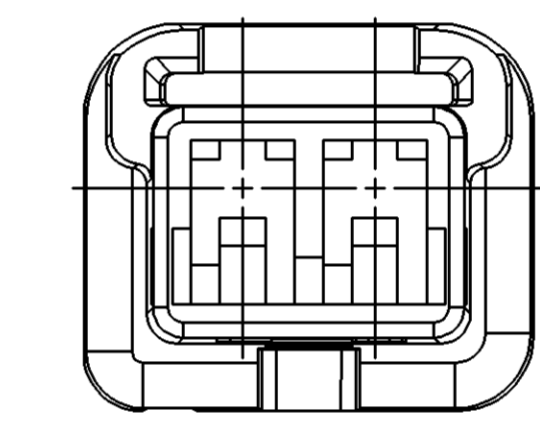
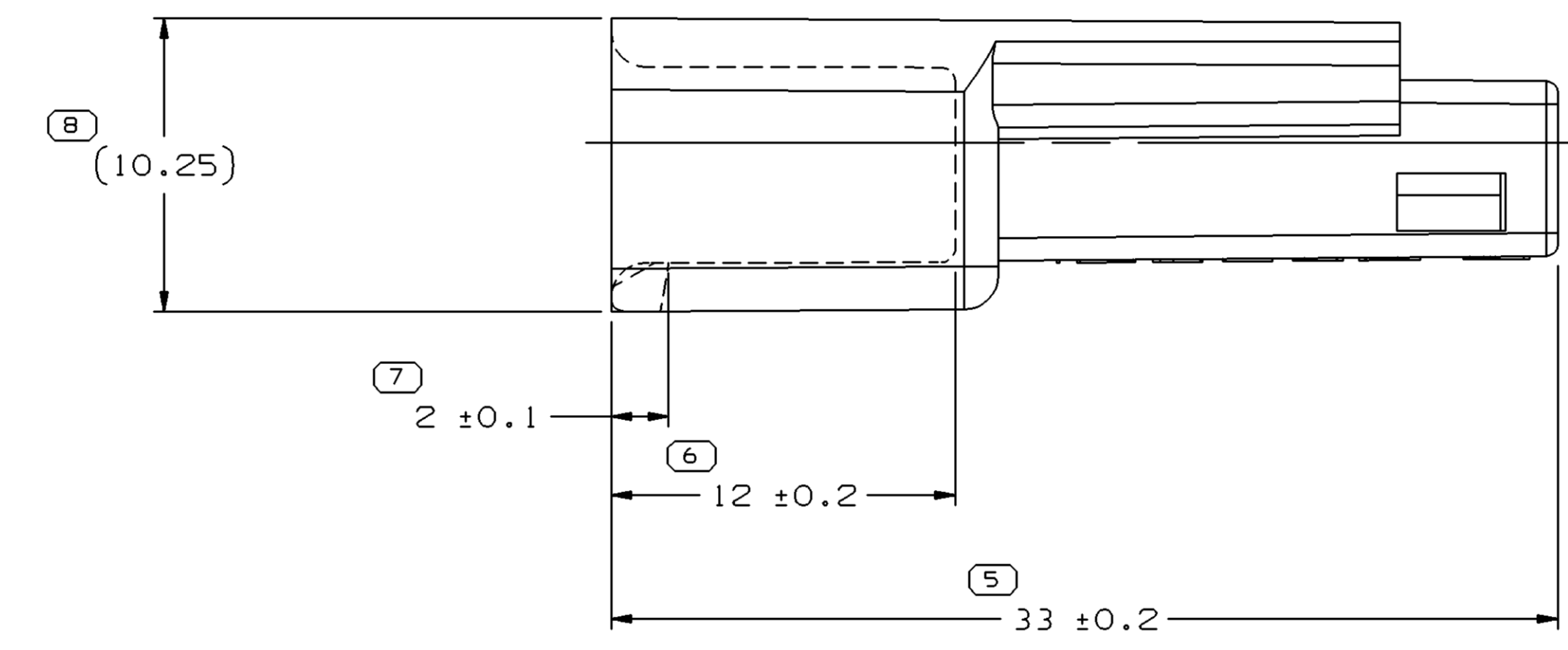
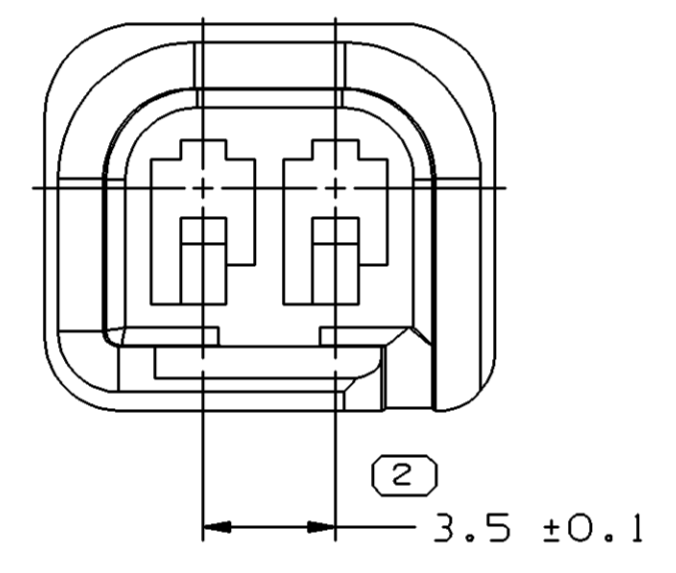
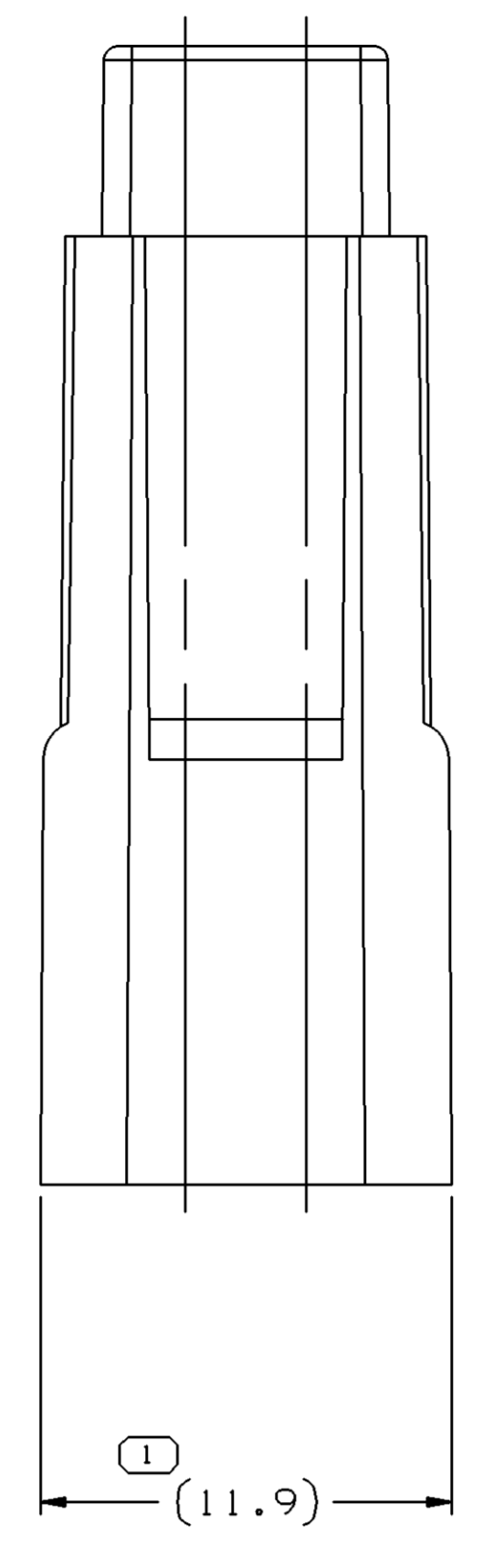


| SYMBOL DEFINITION | | MISSING SYMBOLS | |
|--|----------------------------------|--------------------------|--|
| A DIMENSION WITHOUT AN INSPECTION REPORT SYMBOL DOES NOT REQUIRE INSPECTION. IT MAY BE CONTROLLED ON THE INDIVIDUAL COMPONENT DRAWING. | TOTAL NO OF INSPECTIONS REQUIRED | NO MISSING SYMBOL NUMBER | |
| | B | | |
| | LAST NO. USED | B | |

| DWO STATUS | | | | | REVISION HISTORY | | | AUTH | DR | APVD | APVD | |
|------------|-----|-----|-----|-----|------------------|---|--|------|--------|------|------|-----|
| DATE | STG | REV | N/P | CHG | ZONE | | | | | | 1 | 2 |
| 05AP01 | R | 07 | - | - | | ALL PARTS - REDRAWN TO PD & ADDED OPTIONAL CONSTRUCTION | | | 207684 | HH | EDV | SMC |
| 29MR04 | R | 08 | - | - | | ALL PARTS - REVISED "PART ACCEPTS" NOTE TO "2.65 WIDE" | | | 253521 | ADK | ADK | BG |
| 060C05 | R | 09 | - | - | | 12059282 - TAXI NAME WAS CONN M/P 150; 12059250 - MAT'L SPEC WAS M3592002 | | | 273120 | MDH | JAA | EST |



OPTIONAL CONSTRUCTION

NOTES

- UNLESS OTHERWISE SPECIFIED AND/OR INDICATED:
DIMENSIONS ARE TO FACE OF VIEW SHOWN AND AUTOMATICALLY ROUNDED BY COMPUTER FOR INSPECTION (SEE MATH MODEL FOR PRECISE DIMENSIONS). FOR ALL OTHER DIMENSIONS NOT SHOWN BUT REQUIRED FOR TOOL BUILD, SEE MATH MODEL FOR PRECISE TOOL PATH DATA.
- REFERENCE MATING COMPONENTS OR EQUIVALENT:
CONNECTOR SEE CHART
- THIS PART ACCEPTS THE FOLLOWING COMPONENTS OR EQUIVALENT:
TERMINAL 12040993
MAX INSULATION CRIMP MUST BE LESS THAN 3 HIGH AND 2.65 WIDE.
SECONDARY LOCK 12047665
- THIS CONNECTOR WILL PASS THRU A Ø 14.5 MIN HOLE..
- MATERIAL RECYCLING CODE PER ISO 11469. (2.3)X(0.1) CHARACTERS AS SHOWN TO BE LOCATED ON ANY EXTERIOR SURFACE. OPTIONAL CONSTRUCTION TO BE NO MATERIAL RECYCLING CODE.
- (2.3)X(0.1) DELPHI CORPORATE BRAND TO BE LOCATED ON ANY EXTERIOR SURFACE, PREFERABLY VISIBLE AT FINAL ASSEMBLY. OPTIONAL CONSTRUCTION FOR EXISTING TOOLING MAY BE "PED".

VIEW SCALE DOES NOT REFLECT ACTUAL PART SIZE

| PART NO | STG | REV | N/P | STATUS | MATERIAL SPECIFICATION AND COLOR | MATING CONNECTOR |
|----------|-----|-----|-----|--------|----------------------------------|------------------|
| 12059250 | R | 04 | - | | M3592024 PA66 HS 1M CRM | 12059249 |
| 12059248 | R | C2 | - | | M3592025 PA66 HS 1M-GRA MD | 12059247 |
| 12047663 | R | C2 | - | | M3592001 PA66 HS 1M-BLK | 12047662 |

| DIMENSIONAL RANGE (MM) | | CHART ET | |
|------------------------|------|----------|-------|
| FROM | TO | 1 | 2 |
| > 0 | > 20 | > 70 | > 100 |
| > 20 | > 30 | > 100 | > 150 |
| > 30 | > 40 | > 150 | > 200 |
| > 40 | > 50 | > 200 | > 250 |
| > 50 | > 60 | > 250 | > 300 |
| > 60 | > 70 | > 300 | > 400 |

| DWO TYPE | | PART DRAWING | |
|--------------|-------|--------------|---|
| STYLE | | DISTR CODE | D |
| VOLUME (CM³) | 1.467 | | |

DELPHI
DELPHI PACKARD ELECTRIC SYSTEMS
WARREN, OH

| DR | DATE |
|------------------|--------|
| APVD1 J. REEVES | 210C86 |
| APVD2 T. MUDREY | 270C86 |
| APVD3 S. NORLING | 280C86 |
| APVD4 | |
| APVD5 | |

UNLESS OTHERWISE SPECIFIED
THIS DOCUMENT IS IN ACCORDANCE WITH ASME Y14.5M-1994 AS AMENDED BY THE 2003 DIMENSIONING AND TOLERANCING ADDENDUM (2003). SEPARATE PATTERNING OF FEATURES MAY BE OBTAINED SEPARATELY REGARDLESS OF DATUM REFERENCES.
ALL DIMENSIONS ARE IN MILLIMETERS

REFERENCE

THIRD ANGLE PROJECTION

DO NOT SCALE

USE MATH DATA

UNIVERSITY MICROFILMS

DRAWING NAME
TAXI CONN 2 M M/P 150 CRM

DRAWING NUMBER
12059282

SIZE A0 SCALE 5:1 FRAME NO 1 OF 1 SHEET NO 1 OF 1 REV N/P 09