

Push Button Switch

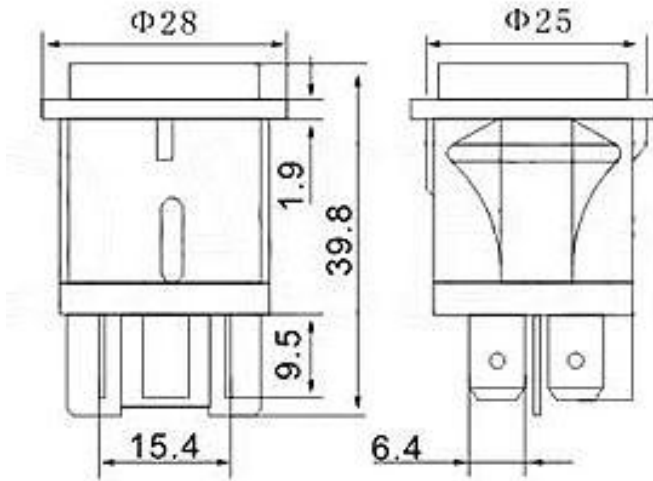
Q-2061

TYPE: **PBS-06L**

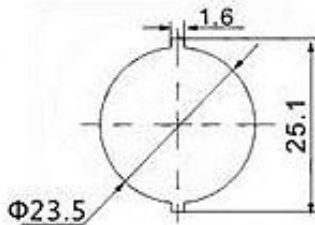
SPECIFICATIONS

Rating: 3A 12V DC
Contact R: 35mΩ max
Insulation R: 500V DC 100MΩ min
Dielectric Strength: 1 Minute 1000V AC
Operating Temperature: -25°C ~ +85°C
Electrical Life: 10, 000 Cycles

Outline Drawing



Mounting



Circuitry

