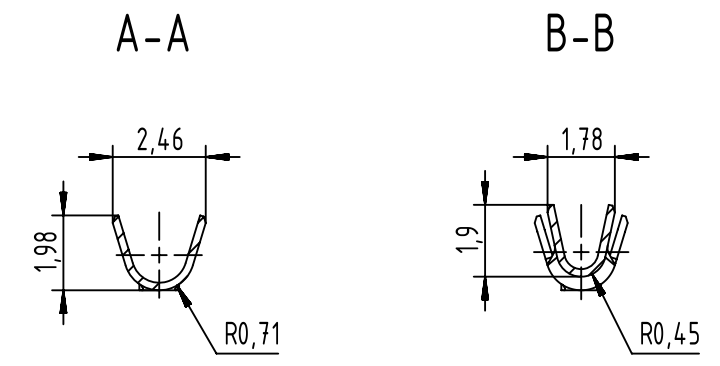
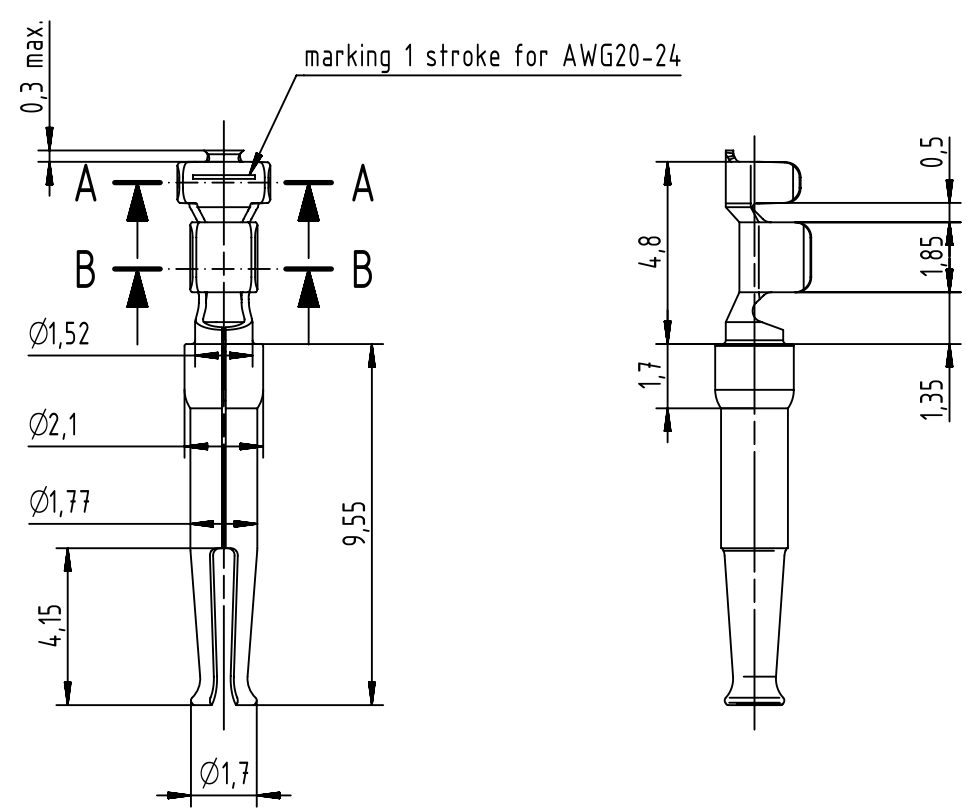


1 2 3 4 5 6

A
B
C
D



Base material: bronze
 Plating: sliding contact selective plating over nickel
 nickel plated crimp contact area
 Number of contacts per bag: 500



All Dimensions in mm Original Size DIN A4		Scale 5:1	Free size tol.		Ref.
All rights reserved Department EC PD - FR		Created by SONN	Inspected by BAGDIKIAN	Standardisation HOFFMANN	Date 2015-01-15
HARTING Electronics GmbH D-32339 Espelkamp		Title D-Sub, stamped female AWG 20-24 crimp contact			State Final Release
Doc-Key / ECM-Nr. 100552269/UGD/002/B 500000083329		Type TB	Number 0967000827X		Rev. B Page 1/1
09 67 000 8278	PL2	PdNi			
09 67 000 8277	PL3	Flash Gold			
09 67 000 8276	PL1	PdNi			
Part number	Performance level	Plating			

Mouser Electronics

Authorized Distributor

Click to View Pricing, Inventory, Delivery & Lifecycle Information:

[HARTING:](#)

[09670008276](#) [09670008277](#) [09670008278](#)