

NOTES:

1. MATERIALS:

HOUSING:

- "BLANK"=NYLON 6/6, UNFILLED UL94 V-2, COLOR: NATURAL
- "130"=GLASS FILLED LCP, UL94 V-0, COLOR: BLACK  
IEC 60335-1, 5TH EDITION GLOW WIRE CAPABLE
- "210"=NYLON 6/6, UNFILLED UL94 V-0, COLOR: NATURAL
- "BL"=NYLON 6/6, UNFILLED UL94 V-2, COLOR: BLACK
- "400"=NYLON 6/6, UNFILLED UL94 V-0, COLOR: BLACK

TERMINALS:

BRASS

2. TERMINAL PLATING:

- "BLANK"=.000035/(0.00090) MIN. REFLOWED MATTE TIN OVER  
.000020/(0.00050) MIN. COPPER (PREPLATE)  
(FINISH IS BRIGHT IN APPEARANCE, THICKNESS AS APPLIED PRIOR TO REFLOW)
- GS2=.000015/(0.00038) MIN. SELECT GOLD AND  
.000100/(0.00254) MIN. SELECT MATTE TIN  
OVER .000050/(0.00127) MIN. NICKEL OVERALL
- GS=.000030/(0.00076) MIN. SELECT GOLD AND  
.000100/(0.00254) MIN. SELECT MATTE TIN  
OVER .000050/(0.00127) MIN. NICKEL OVERALL
- S=.000100/(0.00254) MIN. BRIGHT TIN OVER  
.000050/(0.00127) MIN. NICKEL
- MS=.000100/(0.00254) MIN. MATTE TIN OVER  
.000050/(0.00127) MIN. NICKEL

3. PRODUCT SPECIFICATION: PS-5556-001

4. PACKAGING: TRAY PACKED PER PK-5566-002

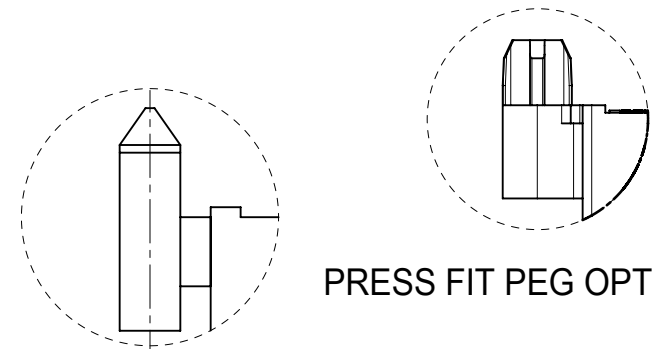
5. PART MATES WITH MINI-FIT JR. RECEPTACLE NO. 5557.

6. PART IS NOT DESIGNED FOR CURRENT SHARING.

7. PARTS ARE NOT TO BE MATED OR UN-MATED WHILE CIRCUITS ARE LIVE.

8. PART CONFORMS TO CLASS "B" REQUIREMENTS OF COSMETIC SPECIFICATION PS-45499-002.

9. 5 CIRCUIT PARTS HAVE PEG DESIGN B. ALL OTHER CIRCUIT SIZES HAVE PEG DESIGN A.



PEG DESIGN B  
SEE NOTE 9

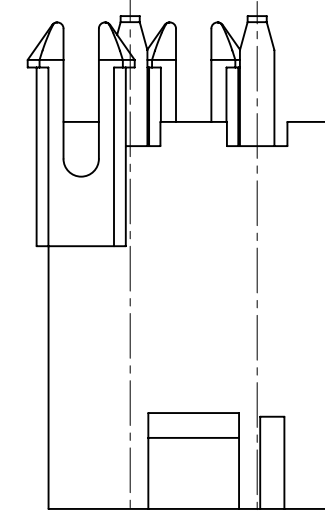
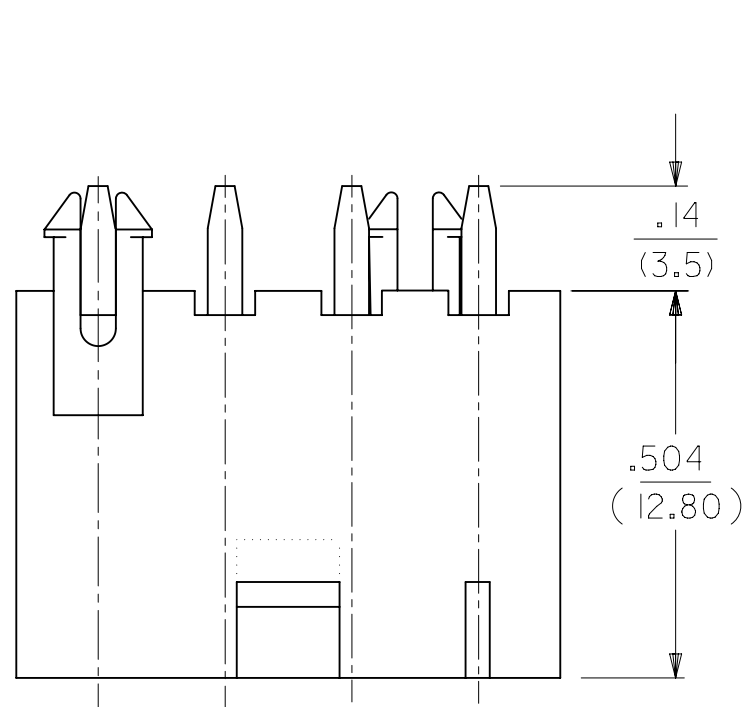
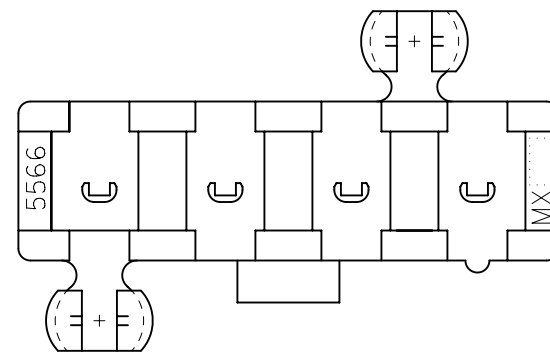
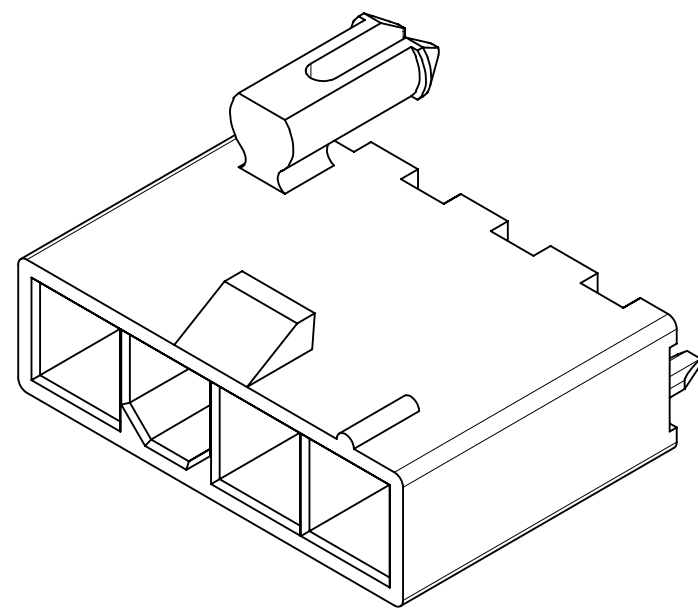
PRESS FIT PEG OPTION

PEG DESIGN A  
SEE NOTE 9

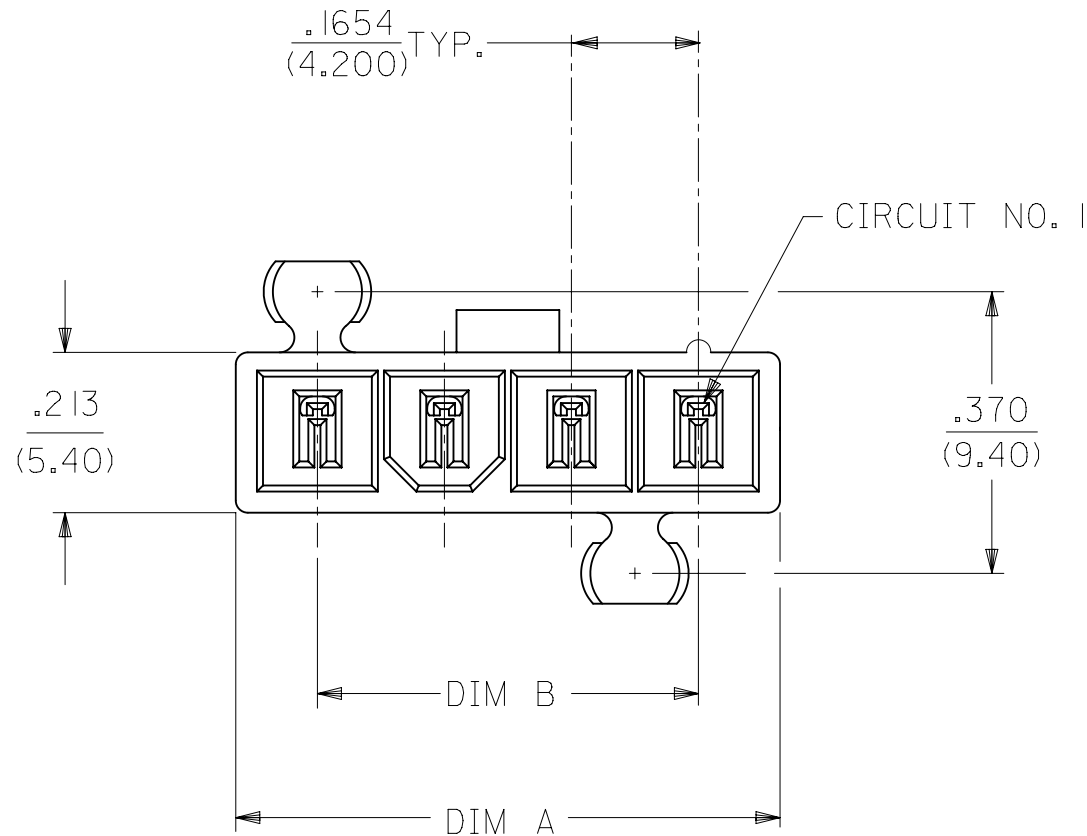
LOCK OPTION

POSITIVE LOCK

PASSIVE LOCK



2 CIRCUIT



CKT SIZE	DIM A	DIM B
2	.378 (9.60)	.165 (4.20)
4	.709 (18.00)	.496 (12.60)
5	.874 (22.20)	.661 (16.80)
6	1.039 (26.40)	.827 (21.00)
7	1.205 (30.60)	.992 (25.20)
8	1.370 (34.80)	1.157 (29.40)
9	1.535 (39.00)	1.323 (33.60)
10	1.701 (43.20)	1.488 (37.80)
11	1.866 (47.40)	1.654 (42.00)
12	2.031 (51.60)	1.819 (46.20)

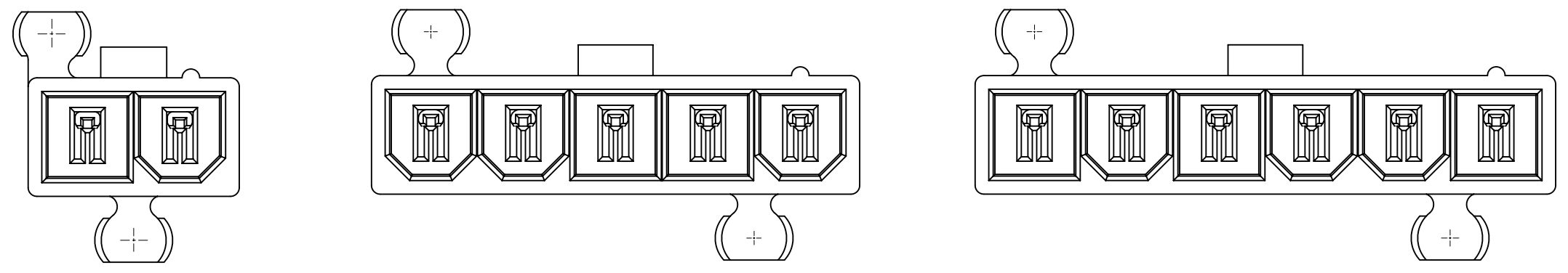
LEGEND:

- 5566 - N A \* \* - \*
- CIRCUIT SIZE (04-12)
- PEG AND LOCK OPTION  
3=MTG. PEGS, POSITIVE LOCK  
4=MTG. PEGS, PASSIVE LOCK  
15=MTG. PRESS FIT PEGS, POSITIVE LOCK
- PLATING (SEE NOTE 2)
- HOUSING MAT'L (SEE NOTE 1)

THIS DRAWING REPLACES SDA-5566-NL\*

SYMBOLS	THIS DRAWING CONTAINS INFORMATION THAT IS PROPRIETARY TO MOLEX ELECTRONIC TECHNOLOGIES, LLC AND SHOULD NOT BE USED WITHOUT WRITTEN PERMISSION		
	DIMENSION UNITS	SCALE	CURRENT REV DESC: MIGRATED
▽ = 0	IN/MM	4:1	EC NO: 600618 DRWN: JBAUMERT 2018/07/30 CHK'D: DSTEIER 2018/12/07 APPR: FSMITH 2019/01/03
▽ = 0	GENERAL TOLERANCES (UNLESS SPECIFIED)		
▽ = 0		MM	INCH
▽ = 0	4 PLACES	±	±
▽ = 0	3 PLACES	±	± 0.015
▽ = 0	2 PLACES	± 0.38	± 0.02
▽ = 0	1 PLACE	± 0.5	±
▽ = 0	0 PLACES	±	±
▽ = 0	ANGULAR TOL	± 0.5 °	
▽ = 0	DRAFT WHERE APPLICABLE MUST REMAIN WITHIN DIMENSIONS		
	THIRD ANGLE PROJECTION	DRAWING	SERIES
		C-SIZE	5566
			INITIAL REVISION: DRWN: KSS 1989/02/19 APPR: FSMITH 2012/05/06
			1989/02/19 2012/05/06
			DOCUMENT NUMBER
			55660001-SD
			DOC TYPE
			PSD
			DOC PART
			000
			REVISION
			A
			MATERIAL NUMBER
			SEE TABLE
			CUSTOMER
			SHEET NUMBER
			1 OF 3

DOCUMENT STATUS	P1	RELEASE DATE	2019/01/03	18:50:31
-----------------	----	--------------	------------	----------

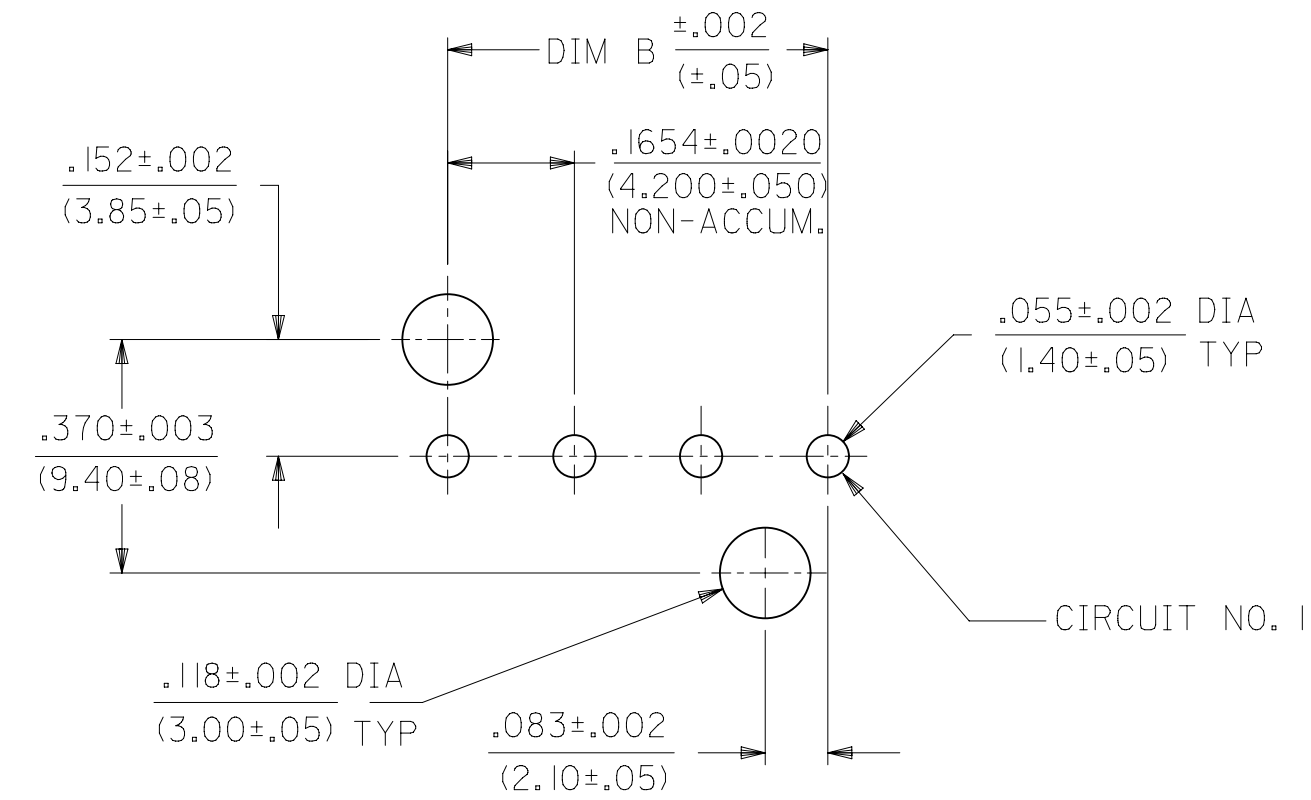


2 CIRCUIT

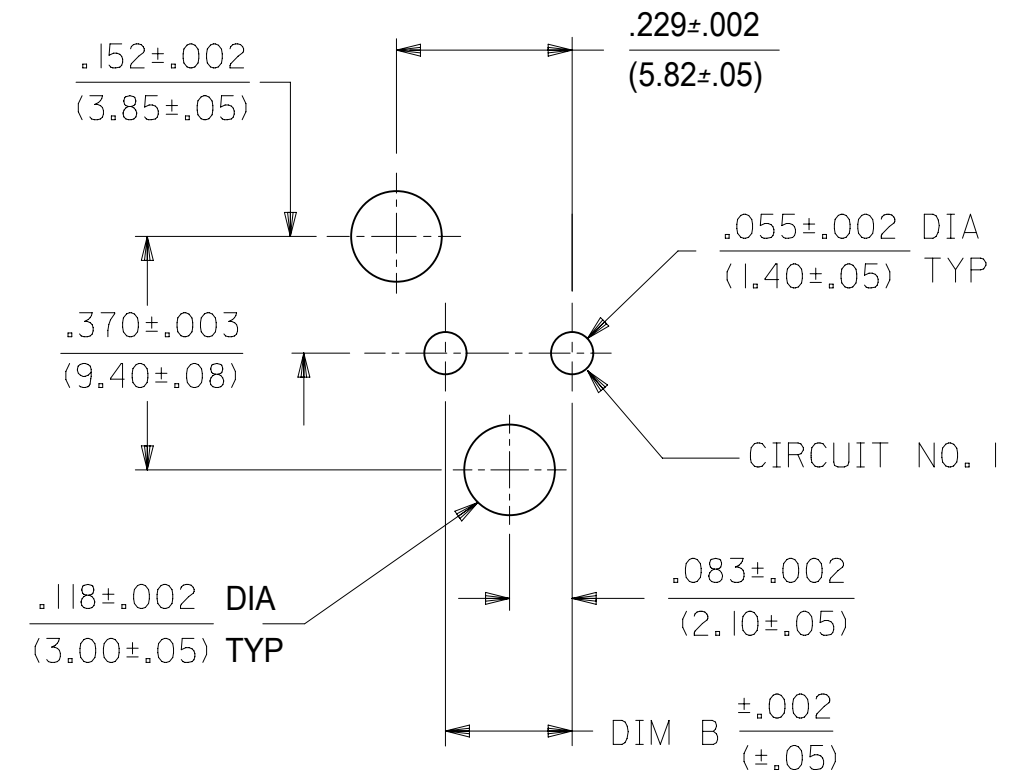
5 CIRCUIT

6 CIRCUIT

POLARIZATION



RECOMMENDED HOLE LAYOUT FOR  
.070/(1.78) MAX. THICK P. C. BOARD  
VIEWED FROM COMPONENT SIDE  
4-12 CIRCUIT PART



RECOMMENDED HOLE LAYOUT FOR  
.070/(1.78) MAX. THICK P. C. BOARD  
VIEWED FROM COMPONENT SIDE  
2 CIRCUIT PART

SYMBOLS	THIS DRAWING CONTAINS INFORMATION THAT IS PROPRIETARY TO MOLEX ELECTRONIC TECHNOLOGIES, LLC AND SHOULD NOT BE USED WITHOUT WRITTEN PERMISSION									
	DIMENSION UNITS		SCALE		CURRENT REV DESC: MIGRATED					
▽ = 0	IN/MM		4:1		EC NO: 600618 DRWN: JBAUMERT 2018/07/30 CHK'D: DSTEIER 2018/12/07 APPR: FSMITH 2019/01/03 INITIAL REVISION: DRWN: KSS 1989/02/19 APPR: FSMITH 2012/05/06					
▽ = 0	GENERAL TOLERANCES (UNLESS SPECIFIED)									
▽ = 0			MM	INCH	PRODUCT CUSTOMER DRAWING DOCUMENT NUMBER: 55660001-SD DOC TYPE: PSD DOC PART: 000 REVISION: A					
▽ = 0	4 PLACES ±									
▽ = 0	3 PLACES ±		± 0.015		MATERIAL NUMBER: SEE TABLE CUSTOMER: SEE TABLE SHEET NUMBER: 2 OF 3					
▽ = 0	2 PLACES ±		± 0.38	± 0.02						
▽ = 0	1 PLACE ±		± 0.5	±	DRAFT WHERE APPLICABLE MUST REMAIN WITHIN DIMENSIONS THIRD ANGLE PROJECTION DRAWING: C-SIZE SERIES: 5566					
▽ = 0	0 PLACES ±		±	±						
▽ = 0	ANGULAR TOL ± 0.5 °									



VERT HDR ASSY W/ PEGS MINIFIT JR SR

PRODUCT CUSTOMER DRAWING

55660001-SD PSD 000 A

POSITIVE LOCK WITH MTG. PEGS, 94V-2 HOUSING MATERIAL			
PART NO	ENG NO	CKT SIZE	PLATING OPTION
39-30-1049	5566-04A3	4	TIN OVER COPPER
39-30-1059	5566-05A3	5	TIN OVER COPPER
46999-0669	5566-02A3GS	2	30 M.I. SELECT GOLD
39-30-2041	5566-04A3GS	4	30 M.I. SELECT GOLD
39-30-2051	5566-05A3GS	5	30 M.I. SELECT GOLD
39-30-2061	5566-06A3GS	6	30 M.I. SELECT GOLD
50-36-2453	5566-04A3S	4	BRIGHT TIN OVER NICKEL
50-36-2454	5566-05A3S	5	BRIGHT TIN OVER NICKEL
46999-0673	5566-02A3MS	2	MATTE TIN OVER NICKEL
46999-0610	5566-04A3MS	4	MATTE TIN OVER NICKEL
46999-0611	5566-05A3MS	5	MATTE TIN OVER NICKEL
46999-0674	5566-06A3MS	6	MATTE TIN OVER NICKEL

POSITIVE LOCK WITH PRESS FIT PEGS, 94V-0 LCP			
PART NO	ENG NO	CKT SIZE	PLATING OPTION
46999-0679	5566-02A15GS-130	2	30 M.I. SELECT GOLD
46999-0681	5566-04A15GS-130	4	30 M.I. SELECT GOLD
46999-0682	5566-05A15GS-130	5	30 M.I. SELECT GOLD
46999-0683	5566-06A15GS-130	6	30 M.I. SELECT GOLD
46999-0684	5566-02A15MS-130	2	MATTE TIN OVER NICKEL
46999-0686	5566-04A15MS-130	4	MATTE TIN OVER NICKEL
46999-0687	5566-05A15MS-130	5	MATTE TIN OVER NICKEL
46999-0688	5566-06A15MS-130	6	MATTE TIN OVER NICKEL

PASSIVE LOCK WITH MTG. PEGS, 94V-2 HOUSING MATERIAL			
PART NO	ENG NO	CKT SIZE	PLATING OPTION
NO E.D.P.	5566-04A4GS	4	30 M.I. SELECT GOLD
NO E.D.P.	5566-05A4GS	5	30 M.I. SELECT GOLD

PASSIVE LOCK WITH MTG. PEGS, 94V-0 HOUSING MATERIAL			
PART NO	ENG NO	CKT SIZE	PLATING OPTION
NO E.D.P.	5566-04A4GS-210	4	30 M.I. SELECT GOLD
NO E.D.P.	5566-05A4GS-210	5	30 M.I. SELECT GOLD

POSITIVE LOCK WITH MTG. PEGS, 94V-2 BLACK HOUSING			
PART NO	ENG NO	CKT SIZE	PLATING OPTION
50-29-1528	5566-04A3-BL	4	TIN OVER COPPER
50-29-1529	5566-05A3-BL	5	TIN OVER COPPER
26-01-3162	5566-04A3S-BL	4	BRIGHT TIN OVER NICKEL
26-01-3163	5566-05A3S-BL	5	BRIGHT TIN OVER NICKEL

POSITIVE LOCK WITH MTG. PEGS, 94V-0 HOUSING MATERIAL			
PART NO	ENG NO	CKT SIZE	PLATING OPTION
39-30-2040	5566-04A3-210	4	TIN OVER COPPER
39-30-2050	5566-05A3-210	5	TIN OVER COPPER
46999-0670	5566-02A3GS-210	2	30 M.I. SELECT GOLD
39-30-2042	5566-04A3GS-210	4	30 M.I. SELECT GOLD
39-30-2052	5566-05A3GS-210	5	30 M.I. SELECT GOLD
39-30-2062	5566-06A3GS-210	6	30 M.I. SELECT GOLD
50-36-2356	5566-04A3S-210	BRIGHT TIN OVER NICKEL	
50-36-2452	5566-05A3S-210	BRIGHT TIN OVER NICKEL	
46999-0675	5566-02A3MS-210	2	MATTE TIN OVER NICKEL
46999-0627	5566-04A3MS-210	4	MATTE TIN OVER NICKEL
46999-0628	5566-05A3MS-210	5	MATTE TIN OVER NICKEL
46999-0676	5566-06A3MS-210	6	MATTE TIN OVER NICKEL

POSITIVE LOCK WITH MTG. PEGS, 94V-0 BLACK HOUSING			
PART NO	ENG NO	CKT SIZE	PLATING OPTION
46999-0671	5566-02A3GS-400	2	30 M.I. SELECT GOLD
46999-0506	5566-04A3GS-400	4	30 M.I. SELECT GOLD
46999-0507	5566-05A3GS-400	5	30 M.I. SELECT GOLD
46999-0672	5566-06A3GS-400	6	30 M.I. SELECT GOLD
46999-0677	5566-02A3MS-400	2	MATTE TIN OVER NICKEL
46999-0577	5566-04A3MS-400	4	MATTE TIN OVER NICKEL
46999-0578	5566-05A3MS-400	5	MATTE TIN OVER NICKEL
46999-0678	5566-06A3MS-400	6	MATTE TIN OVER NICKEL

<b>SYMBOLS</b> = 0 = 0 = 0 = 0 = 0 = 0 = 0 = 0 = 0	THIS DRAWING CONTAINS INFORMATION THAT IS PROPRIETARY TO MOLEX ELECTRONIC TECHNOLOGIES, LLC AND SHOULD NOT BE USED WITHOUT WRITTEN PERMISSION																
	DIMENSION UNITS		SCALE		CURRENT REV DESC: MIGRATED												
	IN/MM		1:1														
	GENERAL TOLERANCES (UNLESS SPECIFIED)				EC NO: 600618						<b>VERT HDR ASSY W/ PEGS MINIFIT JR SR</b>						
			MM	INCH	DRWN: JBAUMERT		2018/07/30		CHK'D: DSTEIER						2018/12/07		
	4 PLACES ±		±	±	APPR: FSMITH		2019/01/03		PRODUCT CUSTOMER DRAWING								
	3 PLACES ±		±	± 0.015	INITIAL REVISION:						DOCUMENT NUMBER						
	2 PLACES ±		0.38	± 0.02	DRWN: KSS		1989/02/19		55660001-SD								
	1 PLACE ±		0.5	±	APPR: FSMITH		2012/05/06		PSD		000		A				
	0 PLACES ±		±	±	DRAFT WHERE APPLICABLE MUST REMAIN WITHIN DIMENSIONS		THIRD ANGLE PROJECTION		DRAWING		SERIES		MATERIAL NUMBER		CUSTOMER		SHEET NUMBER
						C-SIZE		5566		SEE TABLE				3 OF 3			

# Mouser Electronics

Authorized Distributor

Click to View Pricing, Inventory, Delivery & Lifecycle Information:

[Molex:](#)

[39-30-2041](#)