

Technical data sheet

Cable gland, metric thread, set with locknut, light grey

Art.-Nr. 2022764



The quickest and most convenient way of providing strain relief and tightness with cable glands on junction boxes and housings is with the tried-and-trusted V-TEC VM cable glands from OBO. With the integrated sealing lip and the special OBO slat technology, protection class IP68 is achieved. Strain relief and tightness have been tested to DIN EN 62444.

The connecting threads of the cable glands are metric or PG and are therefore suitable for universal use. Once screwed in place, the installation is there forever, as the optimum thread adjustment with the right pitch ensures permanent resistance to shaking.

Applications: From private housing with junction boxes up to industrial applications in the distributor cabinet.

Temperature range: -20 °C to +65 °C.

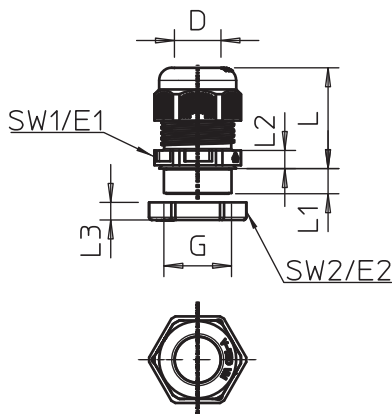


PA Polyamide

Master data

| | |
|---------------------|------------------|
| Item No. | 2022764 |
| Type | V-TEC VM16+ LGR |
| Description 1 | Cable gland |
| Description 2 | with locknut |
| Dimension | M16 |
| Colour | Light grey |
| RAL number | 7.035,00 |
| Material | Polyamide |
| Material symbol | PA |
| Smallest sales unit | 50,00 pcs |
| Weight | 0,80 kg/100 pcs. |

Technical specifications



| | |
|--------------------------------|---|
| Dimension E1 | 22,00 mm |
| Dimension E2 | 25,00 mm |
| Dimension L min. | 21,50 mm |
| Dimension L max. | 23,50 mm |
| Dimension L1 | 8,00 mm |
| Dimension L2 | 5,00 mm |
| Dimension L3 | 5,00 mm |
| SW 1 | 20,00 mm |
| SW 2 | 22,00 mm |
| Version | Straight |
| Type of seal | Sealing ring |
| Bend protection | <input checked="" type="checkbox"/> |
| Sealing range D | 4,50 - 10,00 mm |
| explosion-proof | <input checked="" type="checkbox"/> |
| Flat cable threaded connection | <input checked="" type="checkbox"/> |
| For Ex zone | Without |
| For Ex zone gas | Without |
| For Ex zone dust | Without |
| Flame resistant | flame resistant to VDE 0471/DIN 695 Part 2-1, test temperature 650° C |
| Thread | M16 x 1,5 |
| Thread type | Metric |
| Thread length | 8,00 mm |

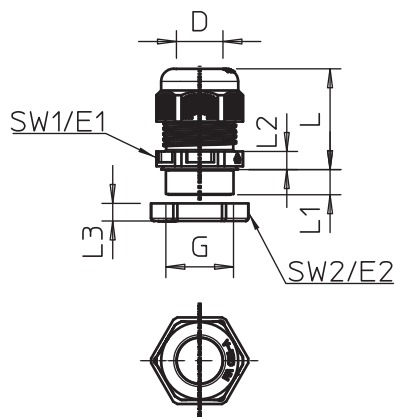
Technical data sheet

Cable gland, metric thread, set with locknut, light grey

Art.-Nr. 2022764



Technical specifications



| | |
|-------------------------|-------------------------------------|
| Thread increase | 1,50 mm |
| Nominal thread size | 16,00 |
| Glass-fibre reinforced | <input checked="" type="checkbox"/> |
| Halogen-free | <input checked="" type="checkbox"/> |
| Installation torque | 2,00 Nm |
| Multiple sealing insert | <input checked="" type="checkbox"/> |
| With locknut | <input checked="" type="checkbox"/> |
| Impact resistant | <input checked="" type="checkbox"/> |
| Protection rating | IP68 |
| Splittable gland | <input checked="" type="checkbox"/> |
| Strain relief option | <input checked="" type="checkbox"/> |