

EvoSIGNAL / EvoSIGNAL Accessories

Maxi Adapter Floor Mount GY



Part No.: 262.700.01



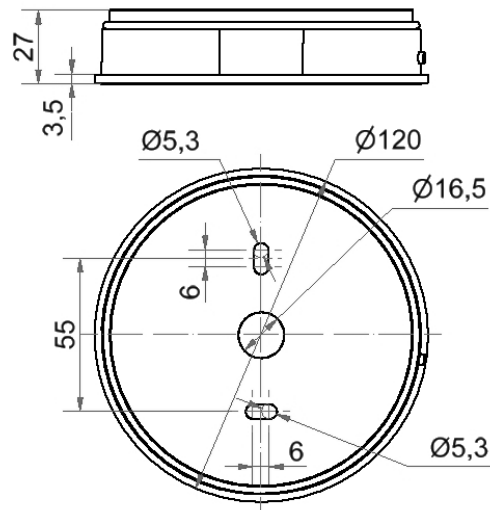
MECHANICAL DATA

Height	27 mm
Diameter	120 mm
Materials	PC/ABS
Housing colour	Grey
Protection category	IP66
Cable entry	Through hole
Cable entry maximum	d = 9 mm
Type of fixing	Base mounting
Working temperature minimum	-30°C
Working temperature maximum	+60°C
UL Type Rating	Type 12
Weight with packaging	96 g
Product weight	96 g

ELECTRICAL DATA

Pollution degree	3
------------------	---

DRAWING



For additional installation and mounting information, refer to the appropriate user guide at www.werma.com. This printed copy is for information only and is subject to alteration.