

U.I. Lapp GmbH	DATASHEET	
	EPIC® H-B 16 TS	10082000 12.09.2012

Housing design H-B. The industry standard.
The housing standard. Wide choice for all applications



Application range

Plant engineering
Light & sound technology
Plastics industry

Product features

Hood, low version
Bolts for double lever
Side cable entry
Versions with neck

Remark

Photographs are not to scale and do not represent detailed images of the respective products.

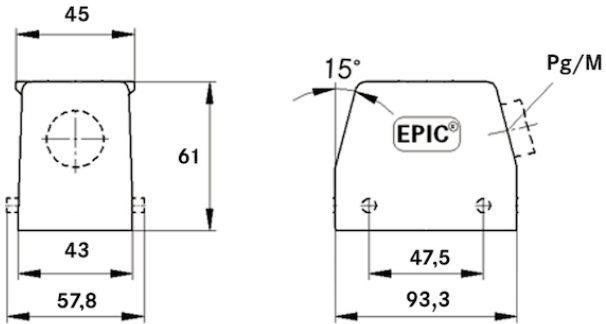
Technical Data

Pieces / PU:	5
Neck:	yes
PG:	21
Article:	H-B 16 TS 21
Material:	Housing: powder-coated aluminium alloy, grey Lever: zinc-plated steel Sealing: NBR
Protection rating:	IP 65 (latched)
Temperature range:	-40 °C to +100 °C, short-term up to +125 °C



Product Management	Document: EPIC® H-B 16 TS	1 / 2
--------------------	---------------------------	-------

U.I. Lapp GmbH	<h1>DATASHEET</h1>	 LAPP GROUP
	EPIC® H-B 16 TS	10082000 12.09.2012



Product Management	Document: EPIC® H-B 16 TS	2 / 2
--------------------	---------------------------	-------