

max. 480 m³/h

DC axial fans

172 x 150 x 51 mm



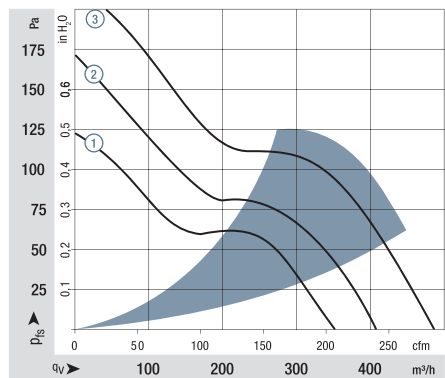
- **Material:** Housing: Die-cast aluminium
Impeller: GRP¹⁾ (PA)
 - **Direction of air flow:** Exhaust over struts
 - **Direction of rotation:** Counter-clockwise, seen on rotor
 - **Connection:** On flat plugs 3 x 0.5 mm
 - **Highlights:** Housing with grounding lug for screw M4 x 8 (Torx)
 - **Mass:** 760 g
- **Possible special versions:** (See chapter DC fans - specials)
 - Speed signal
 - Go- / NoGo-alarm
 - Alarm with limit speed
 - External temperature sensor
 - Internal temperature sensor
 - PWM control input
 - Analog control input
 - Humidity protection
 - Salt fog protection
 - Degree of protection: IP 54

1) Fibreglass-reinforced plastic

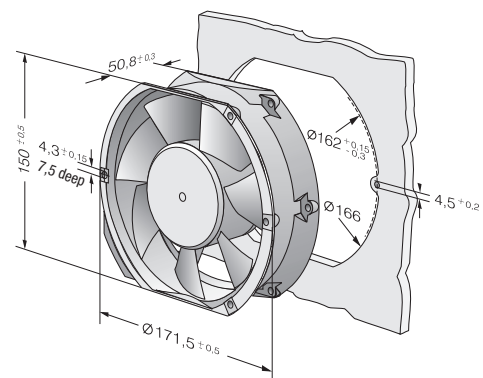
Series 6400															
Nominal data		Air flow		Nominal voltage	Voltage range	Sound pressure level	Sound power level	Sintec sleeve bearings Ball bearings	Input power***	Nominal speed	Temperature range	Service life L ₁₀ (40 °C) ebm-papst Standard	Service life L ₁₀ (T _{max}) ebm-papst Standard	Life expectancy L ₁₀ (IPC (40 °C), see page 17	Curve
Type	m ³ /h	cfm	VDC	VDC	dB(A)	Bel(A)	■/■	Watts	rpm	°C	Hours	Hours	Hours	Curve	
6412 M	350	206	12	8...15	52	6,0	■	12	2 850	-20...+72	80 000 / 37 500	135 000	135 000	①	
6424 M	350	206	24	12...32	52	6,0	■	12	2 850	-20...+72	80 000 / 37 500	135 000	135 000	①	
6424	410	241	24	12...28	57	6,4	■	17	3 400	-20...+72	75 000 / 35 000	127 500	127 500	②	
6424 H	480	283	24	12...28	63	7,1	■	26	4 000	-20...+55**	70 000 / 50 000	117 500	117 500	③	
6448	410	241	48	28...60	57	6,4	■	17	3 400	-20...+72	75 000 / 35 000	127 500	127 500	②	
6448 H*	480	283	48	28...60	63	7,1	■	26	4 000	-20...+55**	70 000 / 50 000	117 500	117 500	③	

Subject to alterations

* Strand 310 mm.
 ** 72 °C versions on request
 *** Input power at free air flow, these values can be significantly higher in the operating point.



Air performance measured as per: ISO 5801, installation category A, without accidental contact.
 Noise: Total sound power level L_{WA} ISO 103002 measured on half-sphere of 2 m;
 Sound pressure level L_{pA} measured at 1 m distance to fan axis.
 The acoustic values are only valid for the described measurement set-up and may vary depending on the installation situation. In case of any deviation to the standard setup, the values have to be checked and reviewed once installed or fitted. For detailed information see http://www.ebmpapst.com/general_conditions



Mouser Electronics

Authorized Distributor

Click to View Pricing, Inventory, Delivery & Lifecycle Information:

[ebm-papst:](#)

[6412M](#) [6424H](#) [6424M](#) [6448H](#)