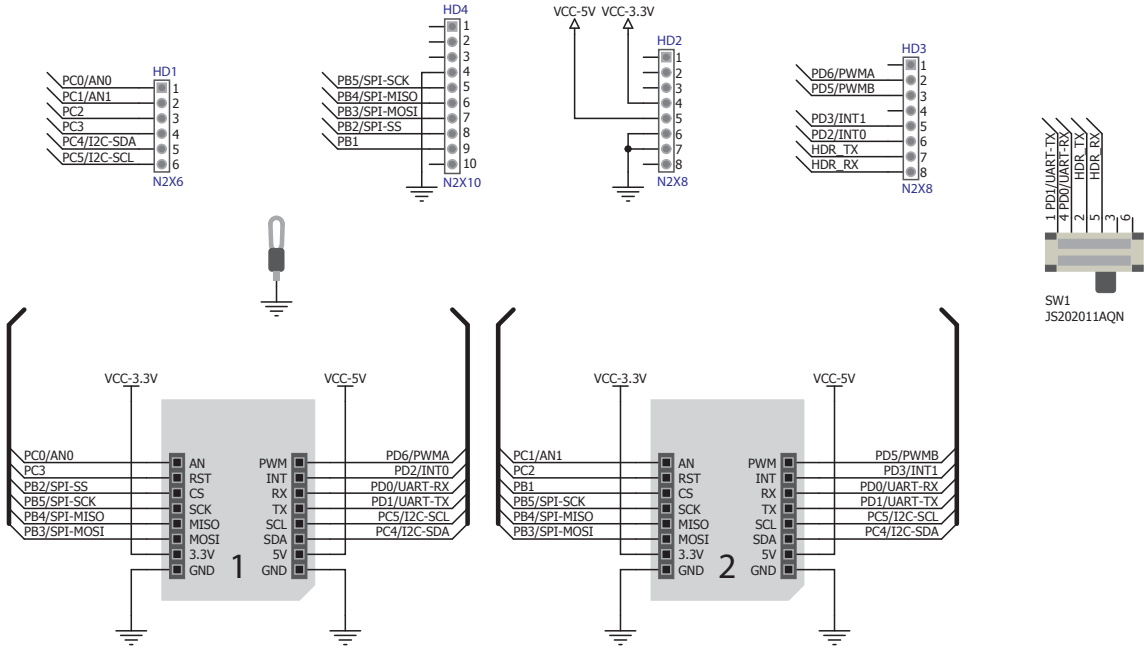
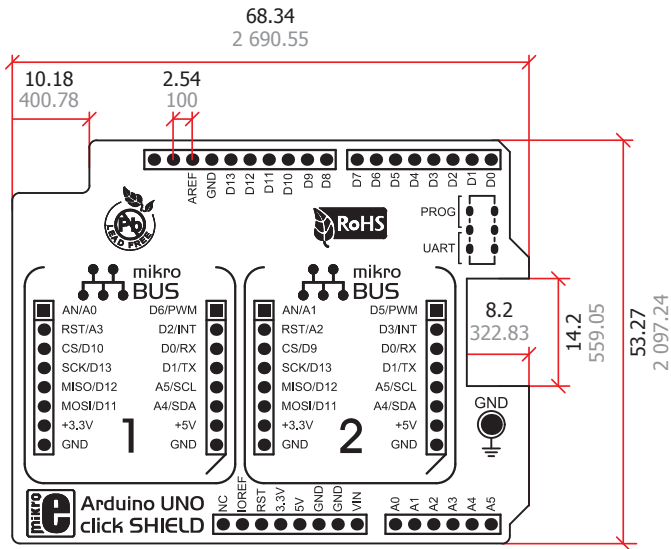


Arduino UNO click Shield - schematics



Arduino UNO click Shield - dimensions



Legend

-  mm
-  mils



Mouser Electronics

Authorized Distributor

Click to View Pricing, Inventory, Delivery & Lifecycle Information:

[Mikroe:](#)

[MIKROE-1581](#)