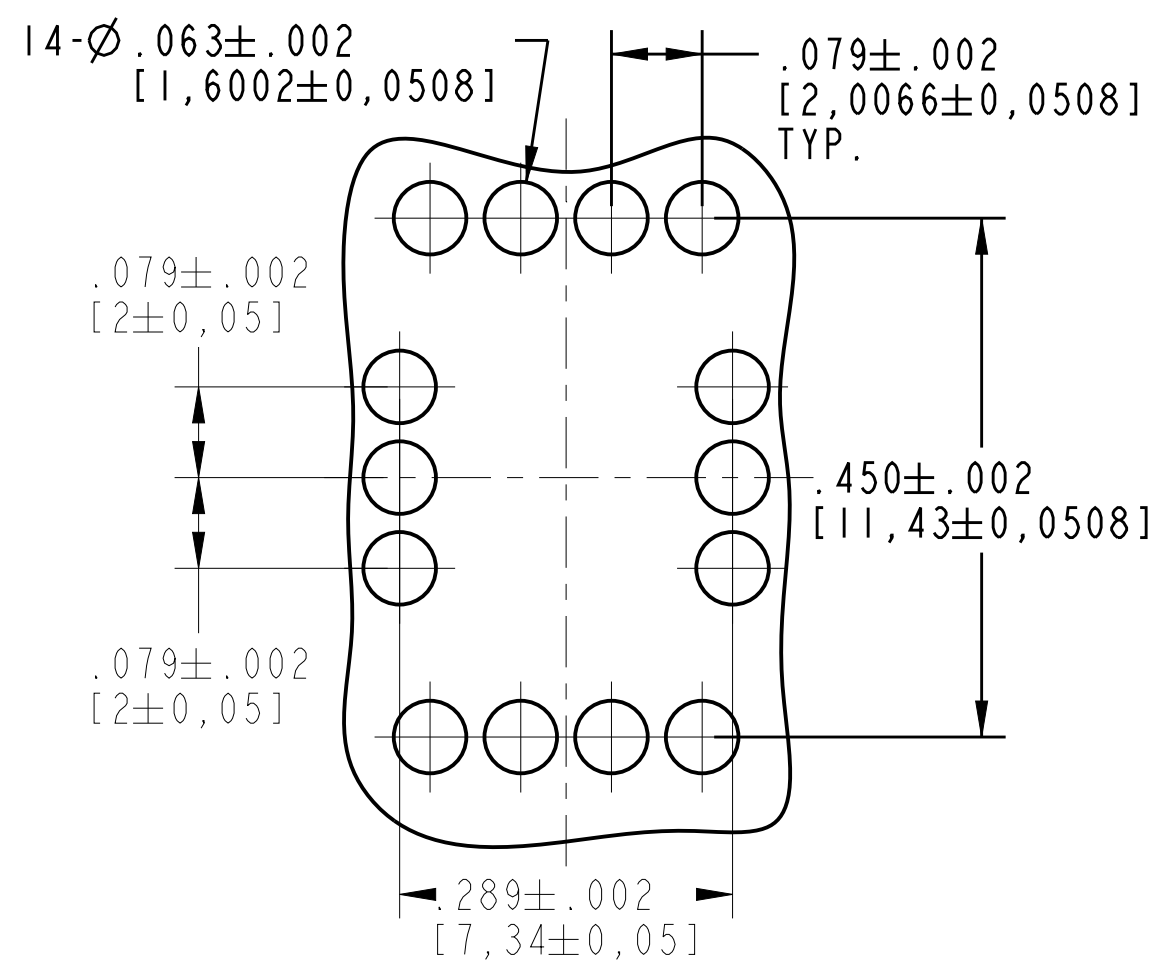
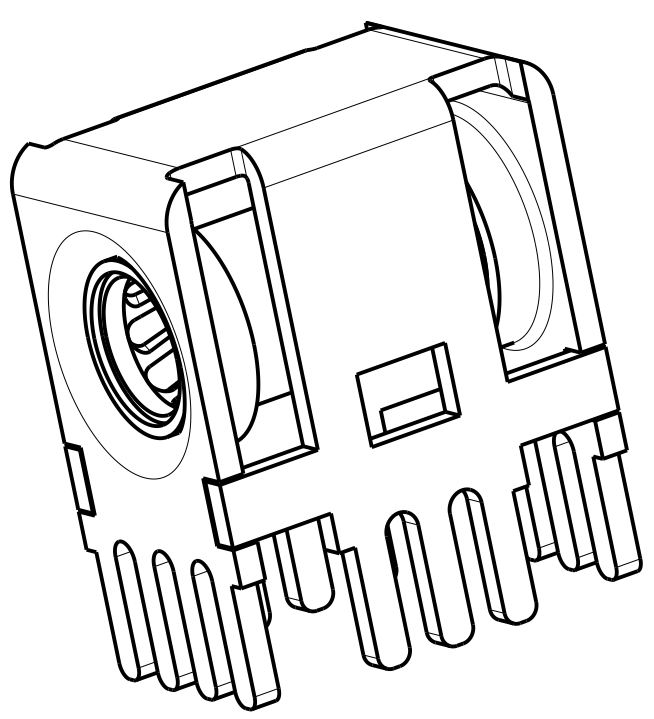


REV. B		SHEET 1 OF 1		DOCUMENT NO. 10-729760-000	
REVISIONS					
REV.	DESCRIPTION	DATE			
A	INITIAL RELEASE	2013-11-7			
B	DESIGN CHANGE	2013-12-06			

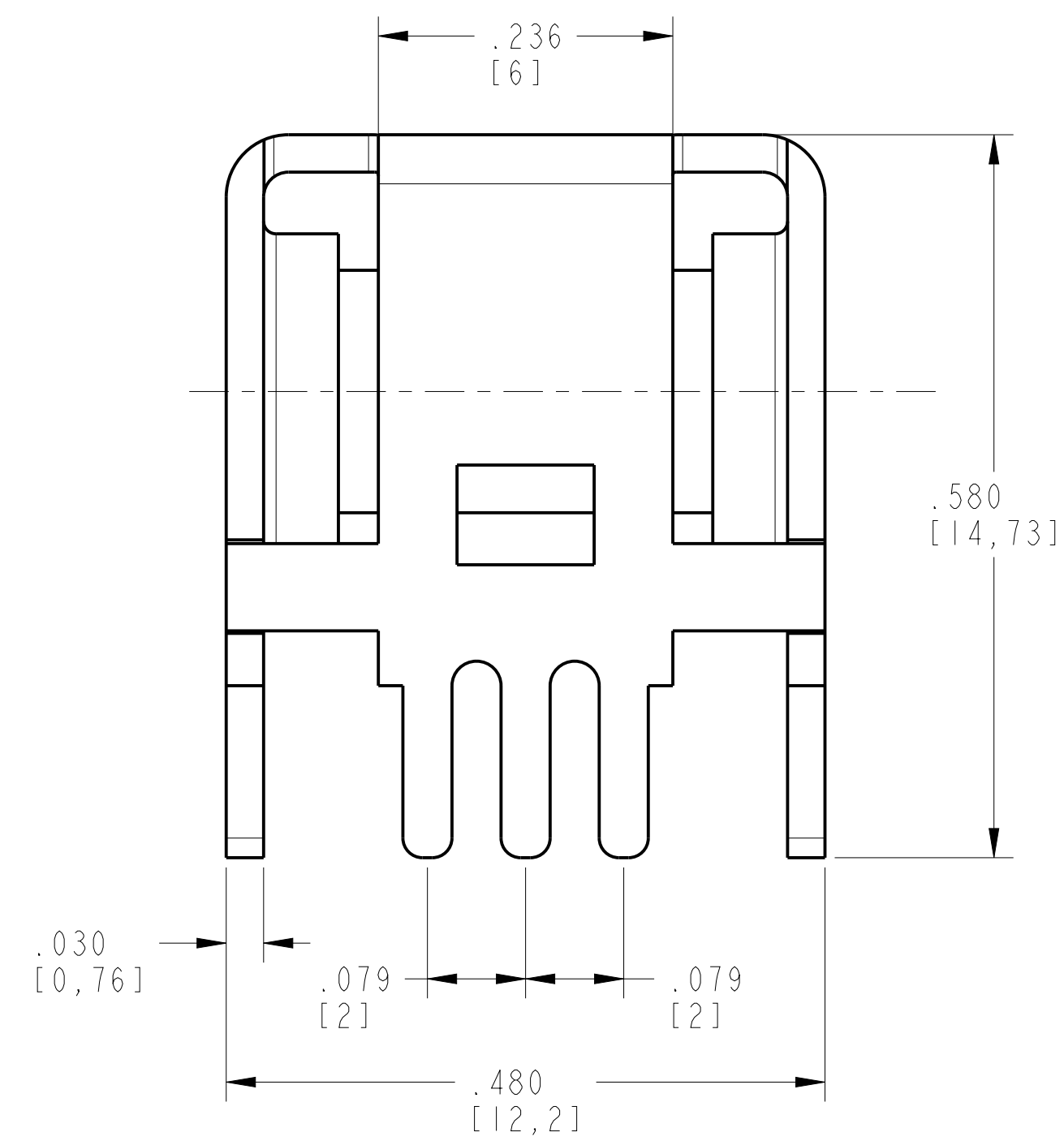
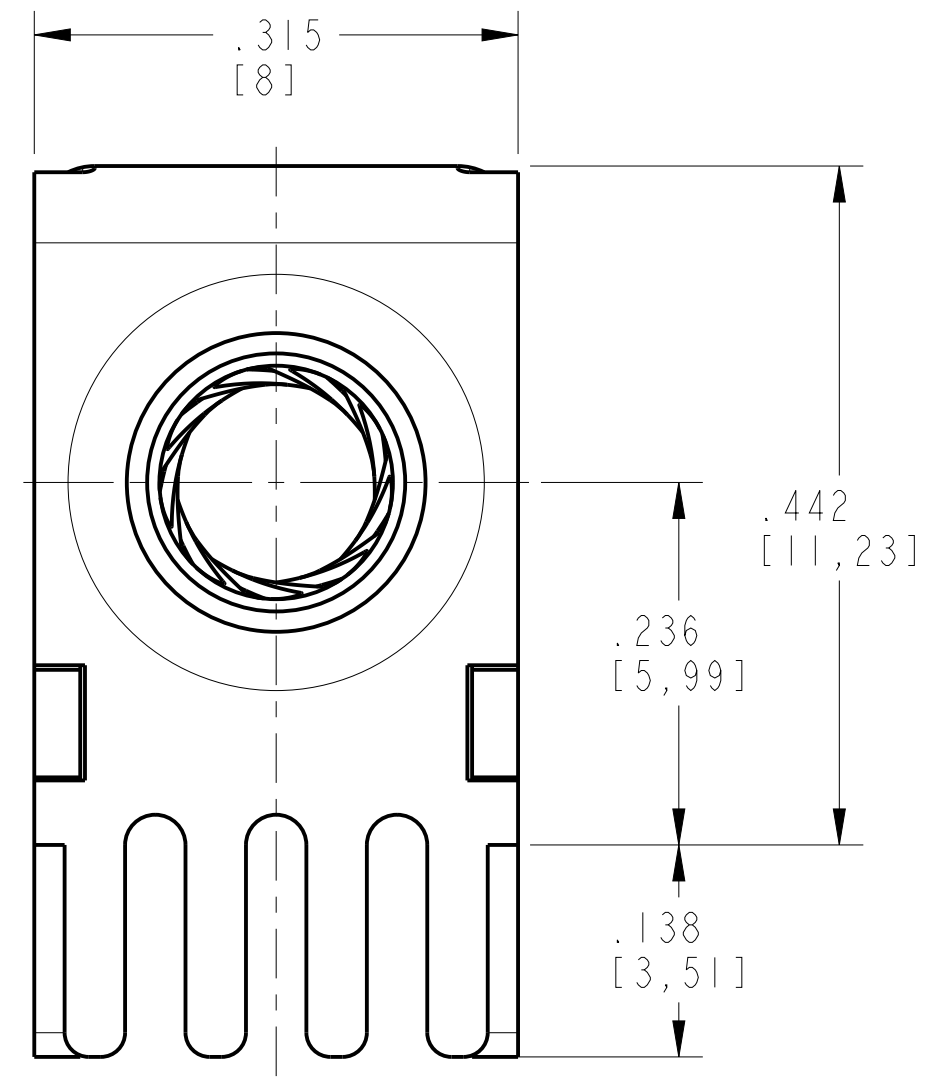
# CUSTOMER DRAWING



PCB LAYOUT RECOMMENDATION



SCALE 5.000



2. SPECIFICATION:
- 1) SURFACE FINISH:  
CONTACT: SILVER;  
HOLDER: Tin.
  - 2) RATED CURRENT: 70A.

1. THE REFERENCED MATERIAL SHALL BE CERTIFIED TO COMPLIANT TO THE 2002/95/EC RoHS DIRECTIVE AMENDED PER 2005/618/EC.

**NOTES:**

THE USE OF THIS DOCUMENT IS UNLIMITED. HOWEVER, DOCUMENTS REFERENCED HEREON MAY CONTAIN LIMITED RIGHTS DATA.

N/A	PRO/ENGINEER INFORMATION
N/A	Pro/e Model Used: 10-729760-000.ASSEM
N/A	Drawing Name: 10-729760-000-CUS-B
N/A	NEXT ASSEMBLY

UNLESS OTHERWISE SPECIFIED	SPECIFICATIONS	POS	QTY	PART NUMBER	DESCRIPTION	NOTE
LINEAR DIMENSIONS ARE IN INCHES TOLERANCES: .XXXX = ±.0005 ANGLES= ±2° .XXX = ±.010 .XX = ±.03 .X = ±.1 DIM. & TOL. PER ASME Y14.5M; DRM PER MIL-DTL-31000; OTHER Amphenol Sds. PER 9-3800 LEGENDS: =FLAG NOTE CALL OUT REFERENCE ONLY	MATERIAL SPEC.	APPROVALS		DATE	PARTS LIST	
	N/A	PREPARED BY	CHRIS LI	07-Nov-13	<b>AMPHENOL CORPORATION</b> 40-60 DELAWARE AVENUE SIDNEY, N.Y. 13838	
	PROCESS SPEC.	ENGINEER IN CHARGE	CHRIS LI		<b>R4 36MM RADSOK PCB MOUNT ASSEMBLY</b>	
		DESIGN MANAGER	RAN XIAO		SIZE C CAGE CODE 77820 DOCUMENT NO. 10-729760-000 REV. B SCALE: 8.0 REF: N/A SHEET 1 OF 1	
		DESIGN ACTIVITY GROUP	C & I			
		THIRD ANGLE PROJECTION				

DOCUMENT NO. 10-729760-000 SHEET 1 OF 1 REV. B  
 C B A

DOCUMENT NO. 10-729760-000 SHEET 1 OF 1 REV. B  
 C B A

# Mouser Electronics

Authorized Distributor

Click to View Pricing, Inventory, Delivery & Lifecycle Information:

[Amphenol:](#)

[10-729760-000](#)