



X CLOSE

Surface Mount Type TACT Switch™ > SKQY Series > SKQYAAE010

6.1 × 3.7mm Compact High-speed Mounting Type (Surface Mount) SKQY Series

| [Dimensions](#) | [Land Dimensions](#) | [Circuit Diagram](#) | [Packing Specifications](#) |
| [Soldering Conditions](#) |



Part number [Series Common Info](#)
SKQYAAE010

NET SHOP

3D CAD

RoHS

Print

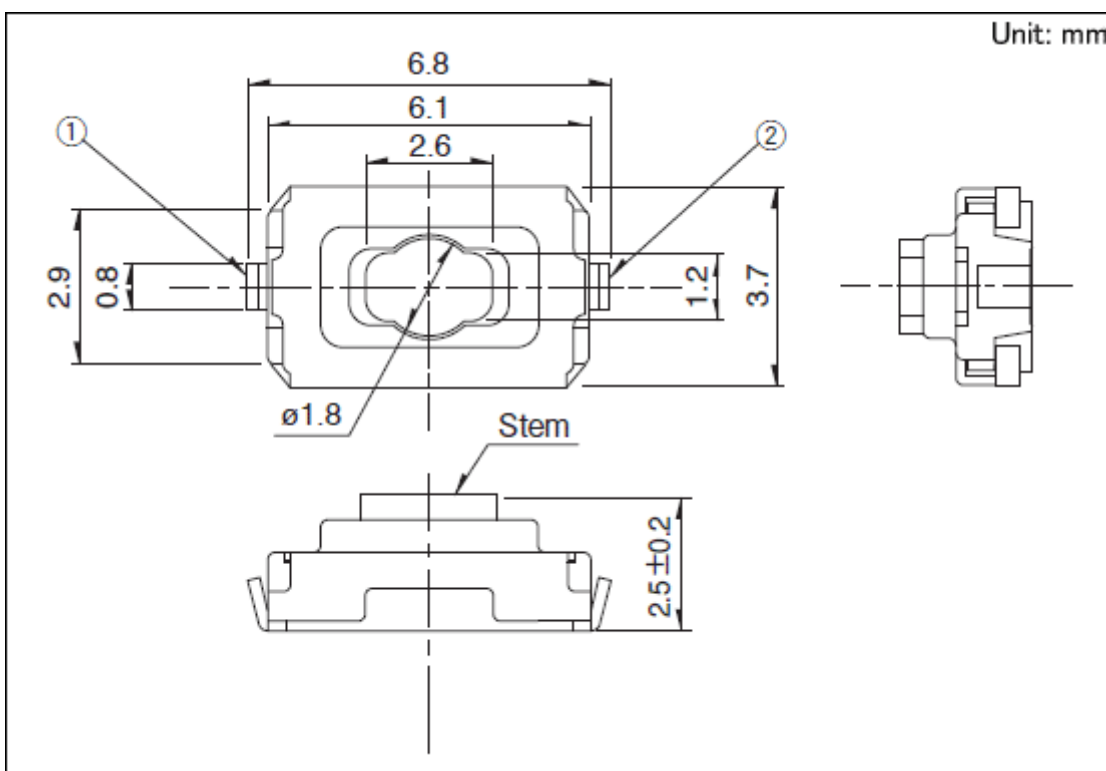
Inquiry

Top push type

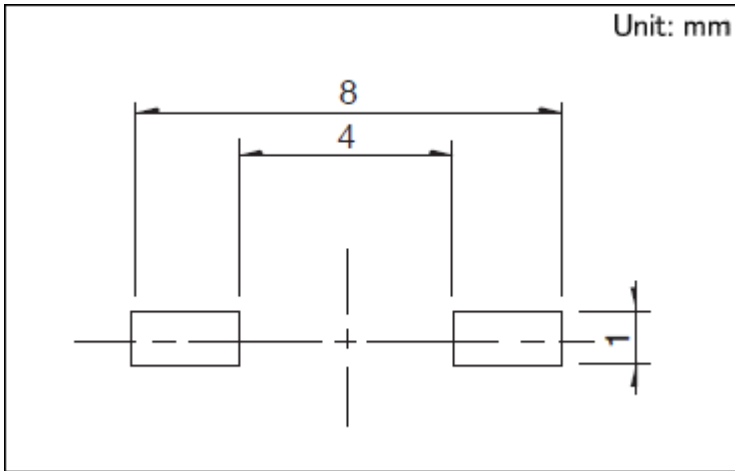
| | |
|-------------------------------|---------------|
| Type | Surface mount |
| Operating force | 1.57N |
| Operating direction | Top push |
| Travel | 0.25mm |
| Operating life (5mA 5V DC) | 50,000 cycles |
| Initial contact resistance | 500mΩ max. |

| | | |
|-----------------------------|-----------------------|--|
| Series type | Sharp feeling type | |
| Operating temperature range | -30°C to +85°C | |
| Rating (max.) | 50mA 12V DC | |
| Rating (min.) | 10μA 1V DC | |
| Electrical performance | Insulation resistance | 100MΩ min. 100V DC for 1min. |
| | Voltage proof | 250V AC for 1 min. |
| Durability | Vibration | 10 to 55 to 10Hz/min., the amplitude is 1.5mm for all the frequencies, in the 3 direction of X, Y and Z for 2 hours respectively |
| | Cold | -30±2°C for 96h |
| Environmental performance | Dry heat | 80±2°C for 96h |
| | Damp heat | 60±2°C, 90 to 95%RH for 96h |
| Minimum order unit (pcs.) | Japan | 3,000 |
| | Export | 3,000 |

Dimensions

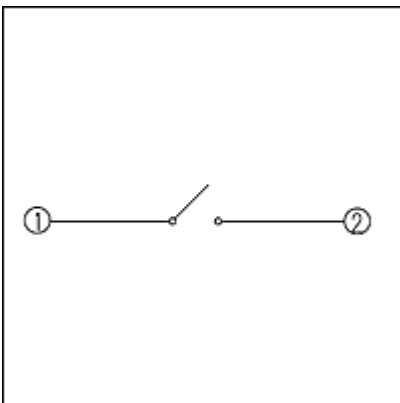


Land Dimensions



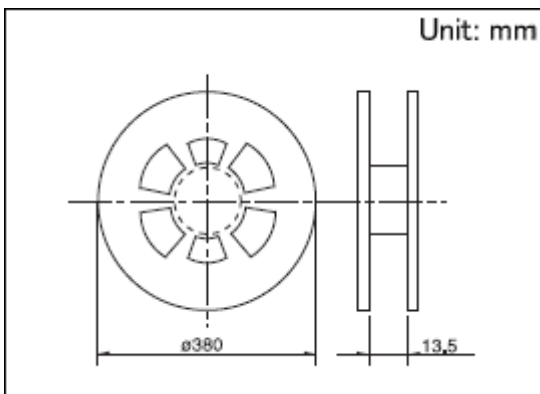
Viewed from switch mounting face

Circuit Diagram



Packing Specifications

Taping



| | | |
|----------------------------------|-------------------------|--------|
| | 1 reel | 3,000 |
| Number of packages (pcs.) | 1 case / Japan | 30,000 |
| | 1 case / export packing | 30,000 |
| Tape width (mm) | | 12 |
| Export package measurements (mm) | 395 × 395 × 205 | |

Soldering Conditions

Condition for Reflow

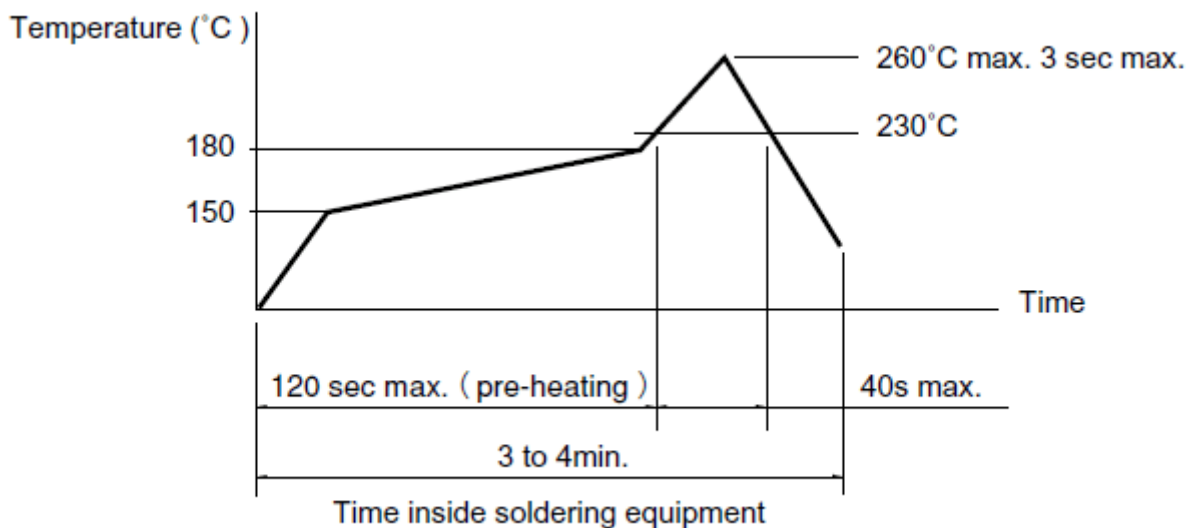
1. Heating method

Double heating method with infrared heater.

2. Temperature measurement

Thermocouple 0.1 to 0.2 Φ CA(K) or CC(T) at solder joints (copper foil surface). A heat resisting tape should be used for fix measurement.

3. Temperature profile



(1) The above temperature shall be measured of the top of switch. There are cases where PC board's temperature greatly differs from that of the switch, depending on the material, size, thickness of PC board's and others. Care, should be taken to prevent the switch's surface temperature from exceeding 260°C.

(2) Soldering conditions differ depending on reflow soldering machines. Prior verification of soldering condition is highly recommended.

Manual Soldering

| Items | Condition |
|----------------------------|------------|
| Soldering temperature | 350°C max. |
| Duration of soldering | 3s max. |
| Capacity of soldering iron | 60W max. |

1. Do not washing the TACT Switch™.
2. Prevent flux penetration from the top side of the TACT switch™.
3. Switch terminals and a PC board should not be coated with flux prior to soldering.
4. The second soldering should be done after the switch returns to normal temperature.

Notes are common to this series/models.

1. This site catalog shows only outline specifications. When using the products, please obtain formal specifications for supply.
2. Please place purchase orders for taping products per minimum order unit (1 reel or a case).
3. For ϕ 330mm diameter reel requirements, please contact us.
4. This products can be used in vehicles.
Although these products are designed to perform over a wide operating temperature range, please ensure that you receive and read the formal delivery specifications before use.

Inquiries about Products

[Inquiry](#)

COPYRIGHT© 2020 ALPS ALPINE CO., LTD