

CBR1-D010 SERIES

**SILICON BRIDGE RECTIFIER
1 AMP, 100 THRU 1000 VOLTS**



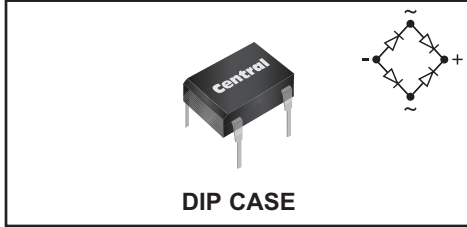
www.centrasemi.com

DESCRIPTION:

The CENTRAL SEMICONDUCTOR CBR1-D010 series types are full wave silicon bridge rectifiers mounted in a durable epoxy molded case. These devices are ideal for printed circuit board mounting and fit into a standard DIP socket (0.1"/2.54mm spacing).

NOTE: Also available in fast recovery. Please contact factory for details.

MARKING: FULL PART NUMBER



DIP CASE

MAXIMUM RATINGS: ($T_A=25^\circ\text{C}$ unless otherwise noted)

| | SYMBOL | CBR1 -D010 | CBR1 -D020 | CBR1 -D040 | CBR1 -D060 | CBR1 -D080 | CBR1 -D100 | UNITS |
|--|----------------|---------------|---------------|---------------|---------------|---------------|---------------|------------------|
| Peak Repetitive Reverse Voltage | V_{RRM} | 100 | 200 | 400 | 600 | 800 | 1000 | V |
| DC Blocking Voltage | V_R | 100 | 200 | 400 | 600 | 800 | 1000 | V |
| RMS Reverse Voltage | $V_{R(RMS)}$ | 70 | 140 | 280 | 420 | 560 | 700 | V |
| Average Forward Current ($T_A=50^\circ\text{C}$) | I_O | | | | 1.0 | | | A |
| Peak Forward Surge Current | I_{FSM} | | | | 50 | | | A |
| Operating and Storage Junction Temperature | T_J, T_{stg} | | | | -65 to +150 | | | $^\circ\text{C}$ |

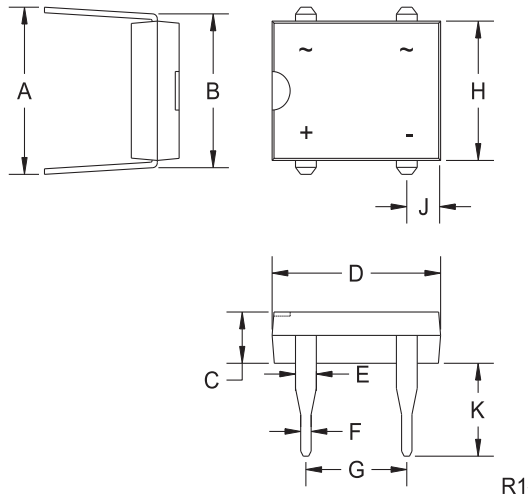
ELECTRICAL CHARACTERISTICS PER DIODE: ($T_A=25^\circ\text{C}$ unless otherwise noted)

| SYMBOL | TEST CONDITIONS | MIN | MAX | UNITS |
|--------|-------------------------------|-----|-----|---------------|
| I_R | $V_R = \text{Rated } V_{RRM}$ | | 10 | μA |
| V_F | $I_F = 1.0\text{A}$ | | 1.1 | V |

CBR1-D010 SERIES
SILICON BRIDGE RECTIFIER
1 AMP, 100 THRU 1000 VOLTS



DIP CASE - MECHANICAL OUTLINE



| SYMBOL | INCHES | | MILLIMETERS | |
|--------|--------|-------|-------------|------|
| | MIN | MAX | MIN | MAX |
| A | 0.300 | 0.350 | 7.62 | 8.89 |
| B | 0.285 | 0.315 | 7.24 | 8.00 |
| C | 0.086 | 0.098 | 2.18 | 2.49 |
| D | 0.316 | 0.335 | 8.03 | 8.51 |
| E | 0.035 | 0.045 | 0.89 | 1.14 |
| F | 0.018 | 0.022 | 0.46 | 0.56 |
| G | 0.195 | 0.205 | 4.95 | 5.21 |
| H | 0.245 | 0.255 | 6.22 | 6.48 |
| J | 0.055 | 0.075 | 1.40 | 1.91 |
| K | 0.150 | 0.185 | 3.81 | 4.70 |

DIP (REV: R1)

MARKING: FULL PART NUMBER

R3 (11-June 2012)

OUTSTANDING SUPPORT AND SUPERIOR SERVICES



PRODUCT SUPPORT

Central's operations team provides the highest level of support to insure product is delivered on-time.

- Supply management (Customer portals)
- Inventory bonding
- Consolidated shipping options
- Custom bar coding for shipments
- Custom product packing

DESIGNER SUPPORT/SERVICES

Central's applications engineering team is ready to discuss your design challenges. Just ask.

- Free quick ship samples (2nd day air)
- Online technical data and parametric search
- SPICE models
- Custom electrical curves
- Environmental regulation compliance
- Customer specific screening
- Up-screening capabilities
- Special wafer diffusions
- PbSn plating options
- Package details
- Application notes
- Application and design sample kits
- Custom product and package development

REQUESTING PRODUCT PLATING

1. If requesting Tin/Lead plated devices, add the suffix "TIN/LEAD" to the part number when ordering (example: 2N2222A TIN/LEAD).
2. If requesting Lead (Pb) Free plated devices, add the suffix "PBFREE" to the part number when ordering (example: 2N2222A PBFREE).

CONTACT US

Corporate Headquarters & Customer Support Team

Central Semiconductor Corp.
145 Adams Avenue
Hauppauge, NY 11788 USA
Main Tel: (631) 435-1110
Main Fax: (631) 435-1824
Support Team Fax: (631) 435-3388
www.centrasemi.com

Worldwide Field Representatives:
www.centrasemi.com/wwreps

Worldwide Distributors:
www.centrasemi.com/wwdistributors

For the latest version of Central Semiconductor's **LIMITATIONS AND DAMAGES DISCLAIMER**, which is part of Central's Standard Terms and Conditions of sale, visit: www.centrasemi.com/terms

Mouser Electronics

Authorized Distributor

Click to View Pricing, Inventory, Delivery & Lifecycle Information:

Central Semiconductor:

[CBR1-D010](#) [CBR1-D020](#) [CBR1-D060](#) [CBR1-D080](#) [CBR1-D100](#) [CBR1-D040](#) [CBR1-D060 PBFREE](#) [CBR1-D010 PBFREE](#) [CBR1-D040 PBFREE](#) [CBR1-D080 PBFREE](#) [CBR1-D100 PBFREE](#)