

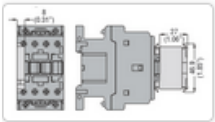
11G218

AUXILIARY CONTACT FOR FRONT LATERAL MOUNTING. FASTON TERMINALS, FOR BF SERIES CONTACTORS, 1NO OR 1NC REVERSIBLE



Order code	11G218
Weight [g]	10.9
Qty. per package	10
Multiple qty. of packs per order	10
Package dimensions [mm]	082X048X042
Volume [cm³]	16.531
Bar code [EAN13]	8013975031940
HS Code	85365080

Dimensions



Wiring diagram

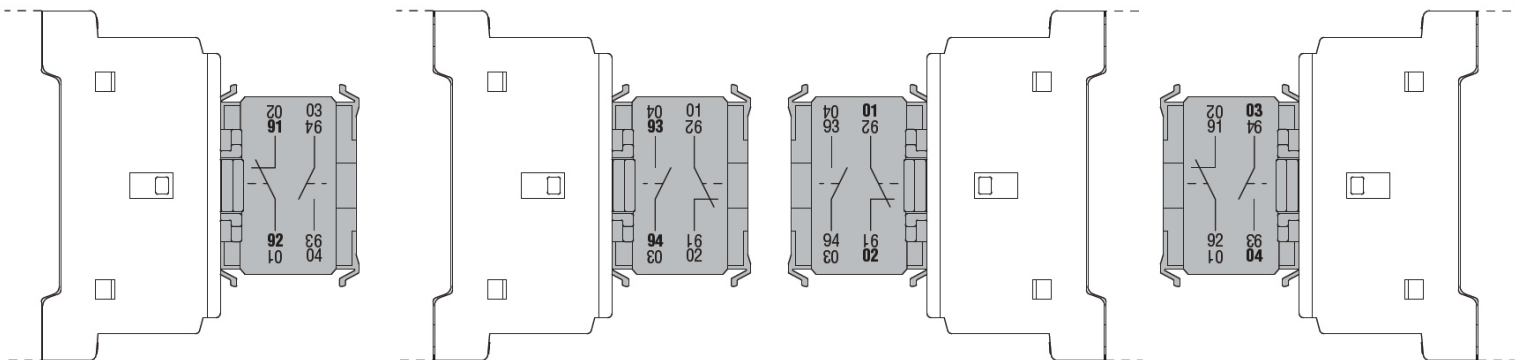
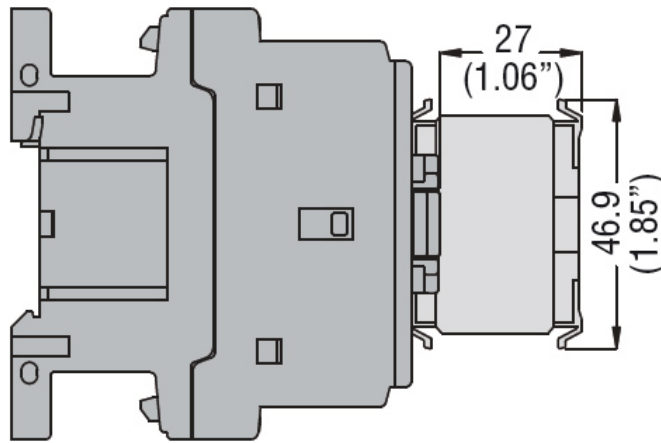
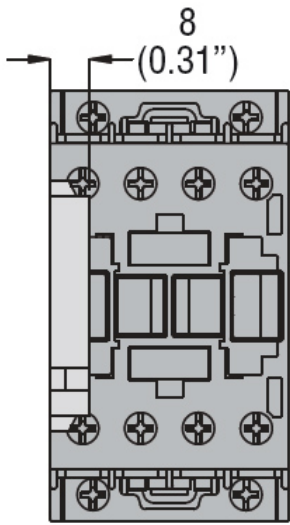


Certifications:

- CCC
- EAC
- cURus
- CSA

Compliance:

- IEC/EN 60947-1
- IEC/EN 60947-5-1
- UL 60947-1
- UL 60947-5-1
- CSA C22.2 n° 60947-1
- CSA C22.2 n° 60947-5-1



The termination of the G218 auxiliary contact has more than one numbering due to the fact that the block can assume various mounting positions. See the numbering in boldface for a correct interpretation.