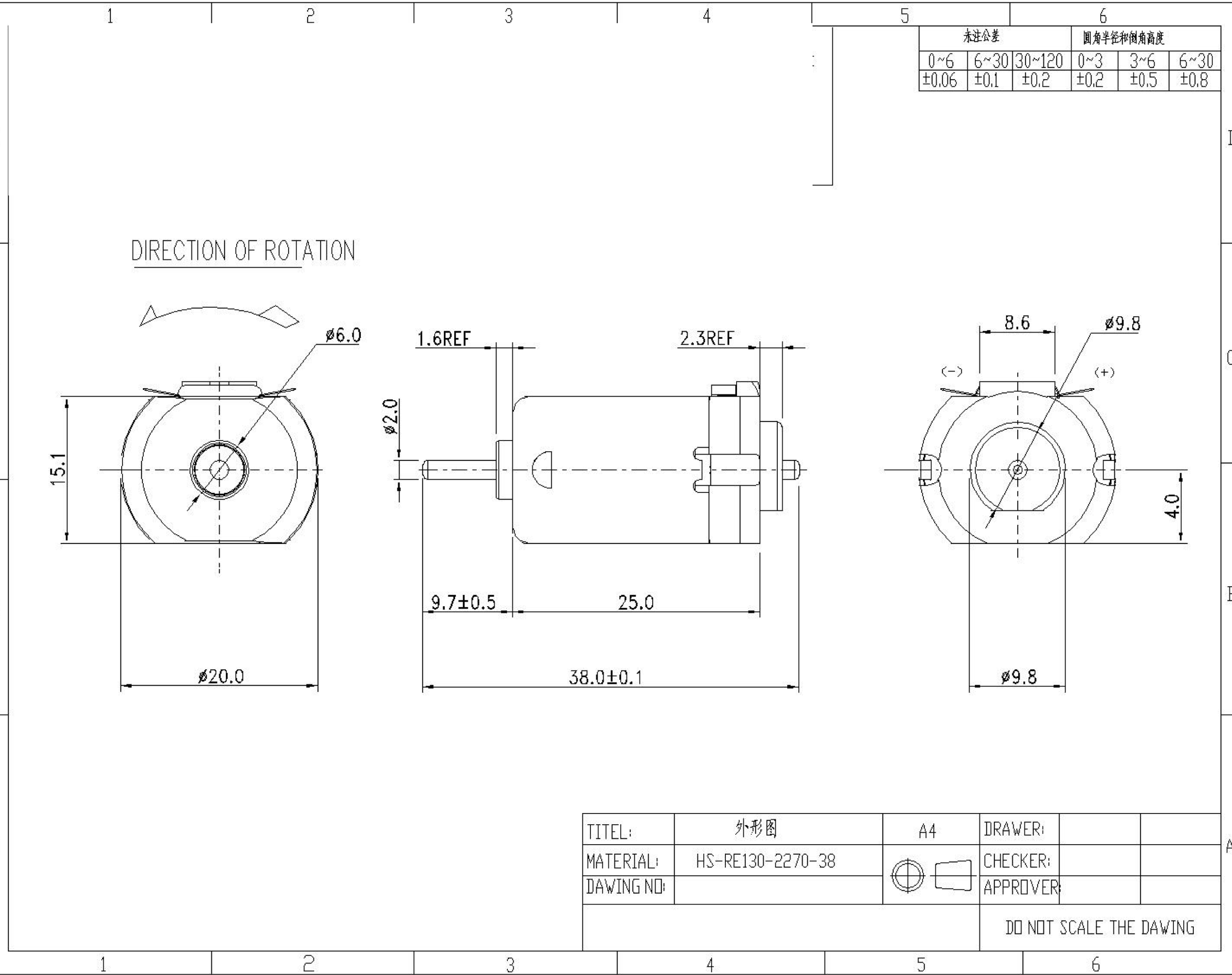


THIS DOCUMENT AND ALL INFORMATION THEREIN CONTAINED ARE OUR EXCLUSIVE PROPERTY. THE RECIPIENT AGREES DRAWING CREATED ISO STANDARDS NOT TO REPRODUCE COPY, USE OR TRANSMIT THIS DOCUMENT AND/OR THE INFORMATION THEREIN CONTAINED FOR ANY PURPOSE EXCEPT WITH OUR WRITTEN PERMISSION

FÜR DIESE ZEICHUNG BEHALTEN WIR UNS ALLE RECHTE NACH DIN 34 FÜR



TITLE:	外形图	A4	DRAWER:		
MATERIAL:	HS-RE130-2270-38		CHECKER:		
DAWING NO:			APPROVER:		
			DO NOT SCALE THE DAWING		

MOTOR OUTGOING SPECIFICATION

Model No. : HS-RE130-2270-38

Sample No. :

1. Motor Type: Small PMDC motor
马达类型 微型直流马达
2. Standard Operating Conditions: 标准工作条件
- 2-1 Rated Voltage (额定电压): 3.0V DC CONSTANT between motor terminals (端子电压 3.0V)
- 2-1 Direction of Rotation (旋转方向): CCW, when viewed from output shaft side (从输出轴端看CCW)
3. Electrical Characteristics (at initial stage after 30 seconds run-in): 电气特性 (启动30秒后初始阶段)
- 3-1 No Load Current (空载电流): 0.4A max
- 3-2 No Load Speed (空载转速): 16000±10%rpm
- 3-3 Rated Load (tested with fan mm): 11.9g.cm
额定负载 (mm风叶)
- 3-4 Rated Current (额定电流): 1.5A max
- 3-5 Rated Speed (额定转速): 12400±8%rpm
- 3-6 Noise (噪音): 30cm ≤ 68dB
- 3-7 Motor Characteristic Curve (马达特性曲线): See Motor Performance Curves And Characteristics (看马达特性曲线图).
4. Mechanical Characteristics: 机械特性
- 4-1 External Appearance (外形): See Outline (看外形图)
- 4-2 End Play (端位): 0.05~0.45mm
- 4-3 Runout of Shaft Extension (轴突端跳动): 0.02mm max

CONFIRMED & ACCEPTED BY CUSTOMER (客户接受&确认)

COMPANY, CHOP & SIGNATURE (盖章&签名)

PREPARED: _____ CHECKED: _____ APPROVED: _____