

5

4

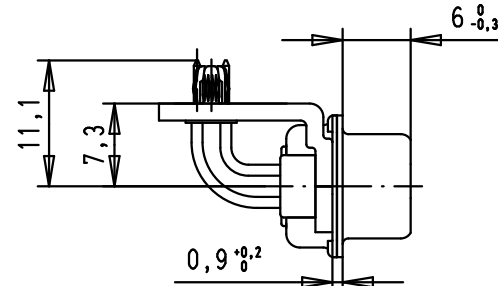
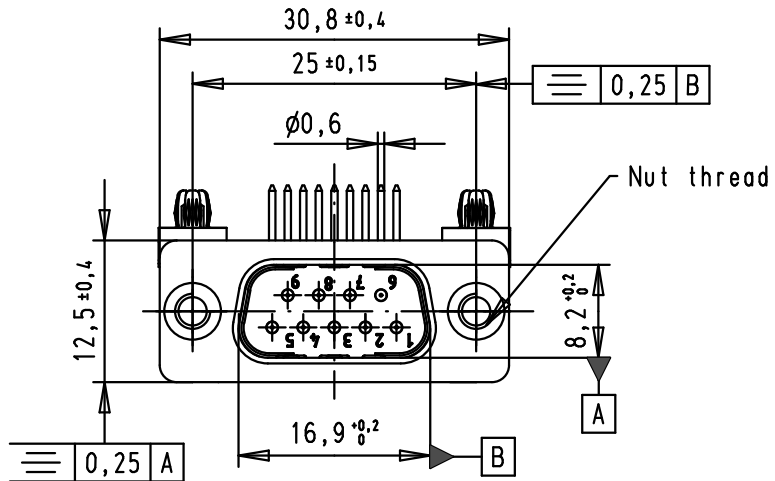
3

2

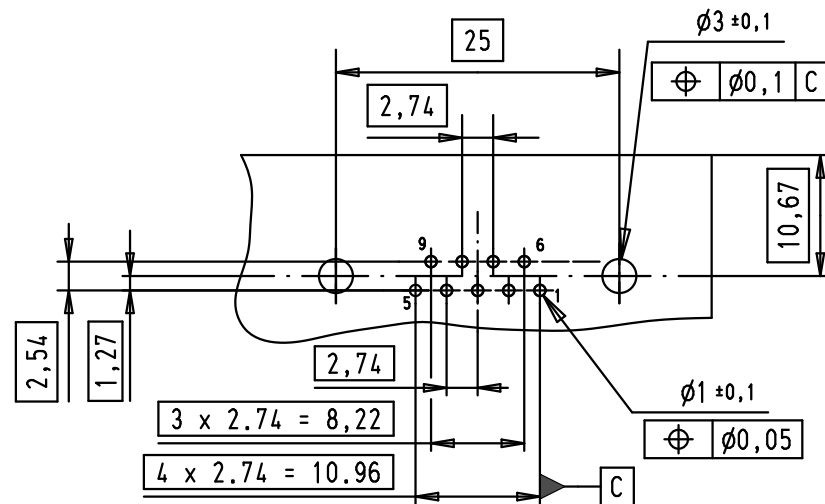
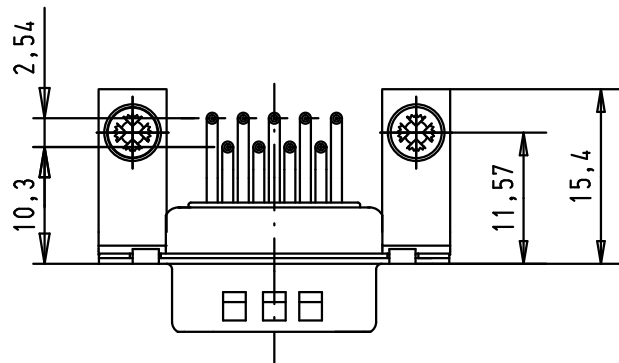
1

SPECIFICATION

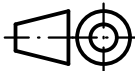

Performance level	PL2
Filter type	C
Capacitance	3900pf±20%
Working Voltage	100v
Current Rating	7.5A
Insulation Resistance	>1GΩ

PCB Layout, Component side,
thickness 1.6 mm

FREQUENCY (MHz)	ATTENUATION (dB)
5	6dB
10	11dB
50	25dB
100	35dB
500	35dB
1000	32dB



A

						Dot.		Name		 D-Sub, male, angled, 9 Poles, solder pins, brackets, clinch nuts and board-locks	Mo?Mstab/ Scale
						Detail.		13/10/05 JMDR			1.5:1
						Insp.		12/01/12 JB			
						Stand.					
			36283	12/01/12	SD					TB 0964124724x Sub.	
09641247243 M3			33240	13/10/05	JMDR	HARTING EURL					
09641247242 UNC 4-40			31058	8-JUL-02	CV	F-95972 Paris					
Part number Nut thread			Mod.	Dot.	Name						

Blatt/ Page
1 / 4

Mouser Electronics

Authorized Distributor

Click to View Pricing, Inventory, Delivery & Lifecycle Information:

[HARTING:](#)

[09641247242](#)