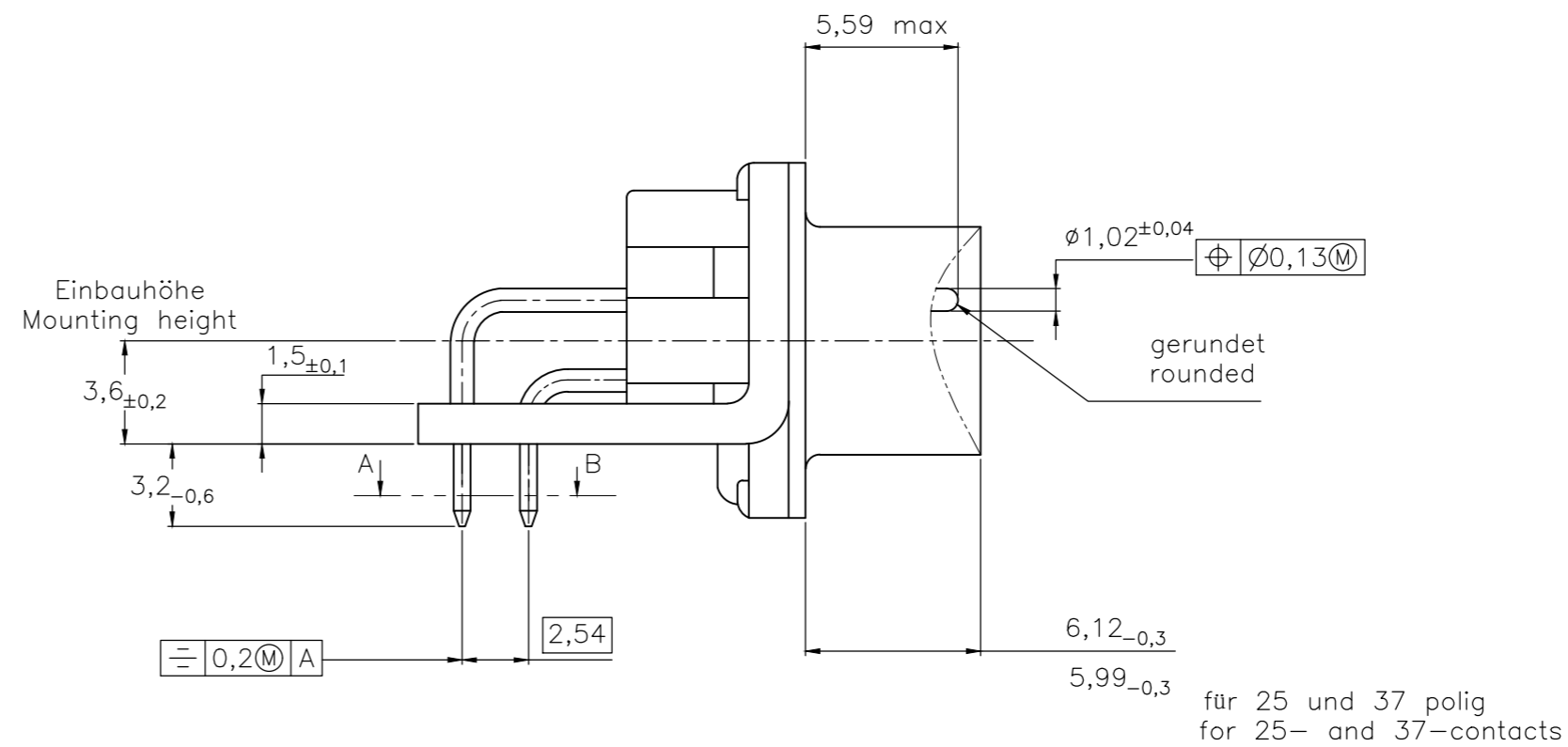
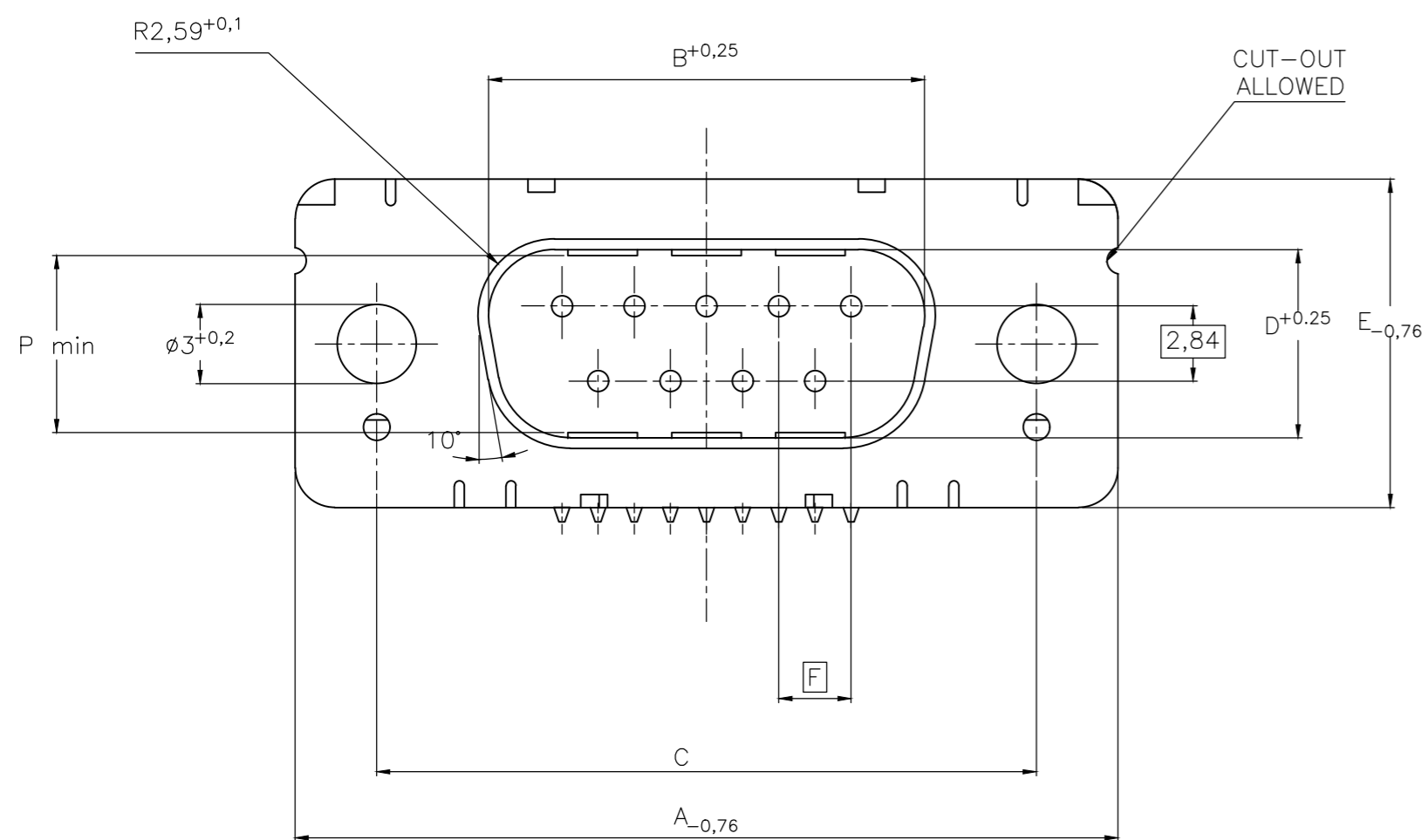


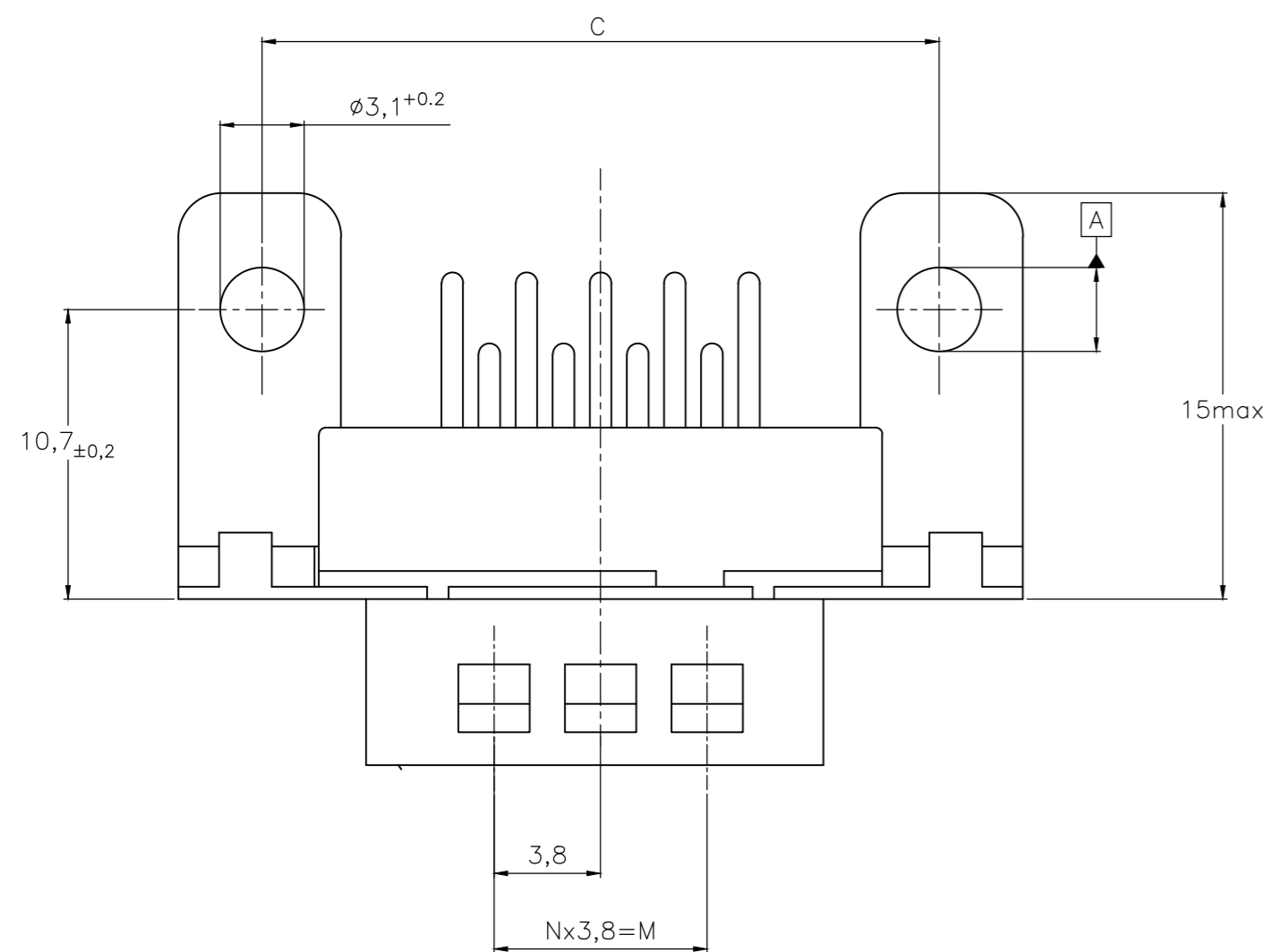
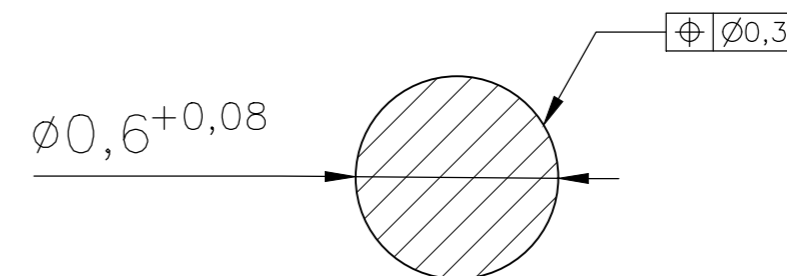
THIS DRAWING IS UNPUBLISHED. RELEASED FOR PUBLICATION  
 © COPYRIGHT - By - ALL RIGHTS RESERVED.

REVISIONS					
P	LTR	DESCRIPTION	DATE	DWN	APVD
H		REVISED PER ECO-17-017772	25MAY2018	AP	DG

Standardausführung: V23529-Bx121-Cxxx-+  
 Standardversion



Schnitt AB des Lötanschlusses  
 Cross-section AB of solderpin  
 (20:1)



Ordercode Sachnr	Contacts Polzahl	Mass/Dimension								
		A	B	C	D	E	F	M	N	P
..-Cx09-+	09	31,19	16,79	25,0 <sup>+0,12</sup> <sub>-0,13</sub>	8,23	12,93	2,74	7,6	2	7,72
..-Cx15-+	15	39,52	25,12	33,3 <sup>+0,15</sup> <sub>-0,1</sub>	8,23	12,93	2,74	15,2	4	7,69
..-Cx25-+	25	53,42	38,84	47,04 <sup>+0,13</sup> <sub>-0,13</sub>	8,23	12,93	2,76	26,6	7	7,65
..-Cx37-+	37	69,7	55,30	63,5 <sup>+0,13</sup> <sub>-0,13</sub>	8,23	12,93	2,76	41,8	11	7,65

1) Anforderungsstufe/Performance level

OLD PN: V23529-B\*\*\*\*-C\*\*\*-\*-7427

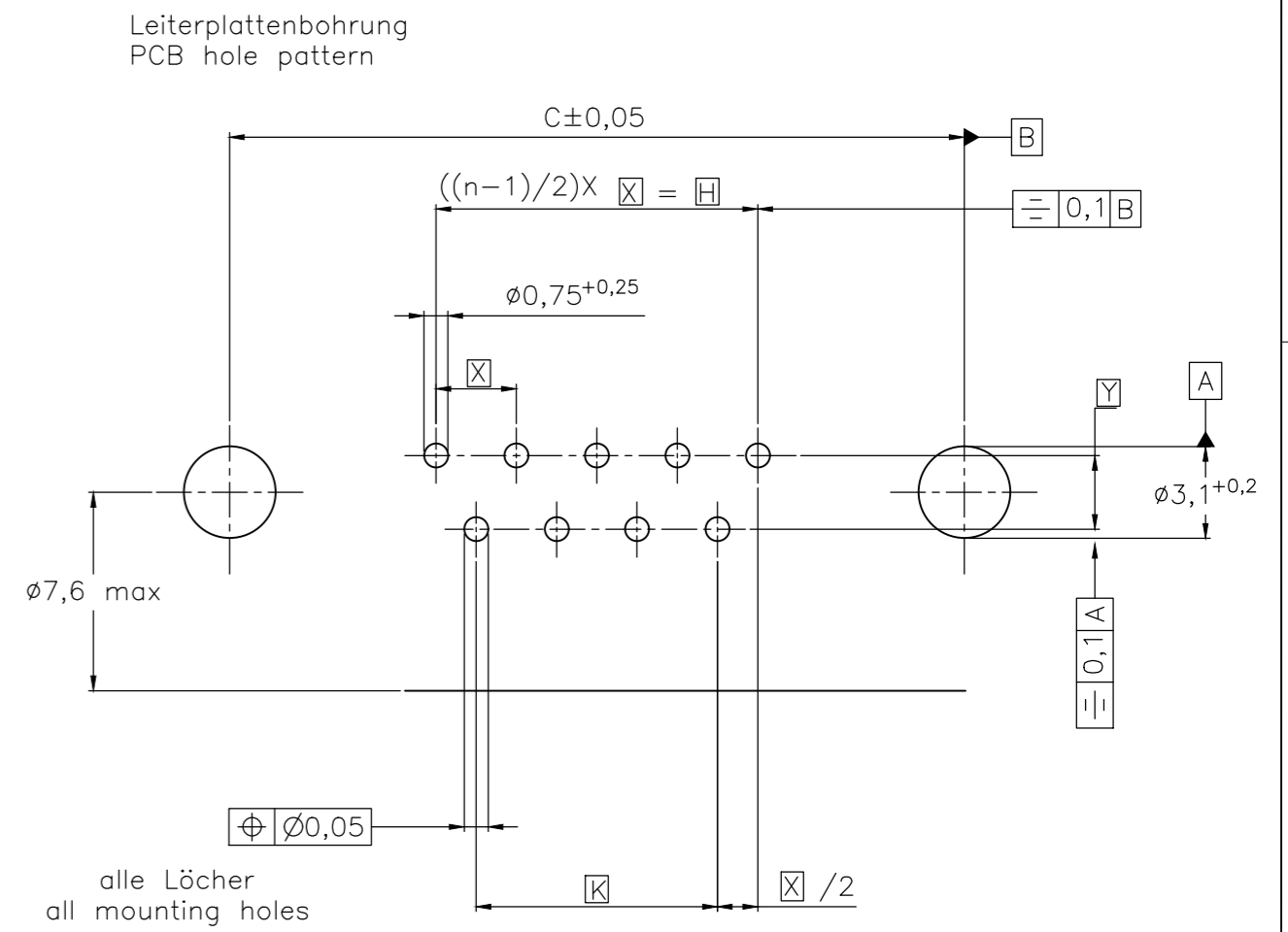
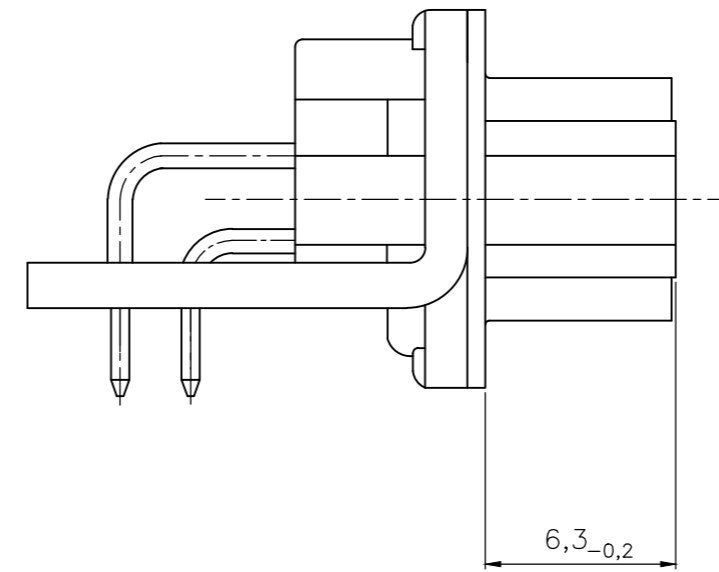
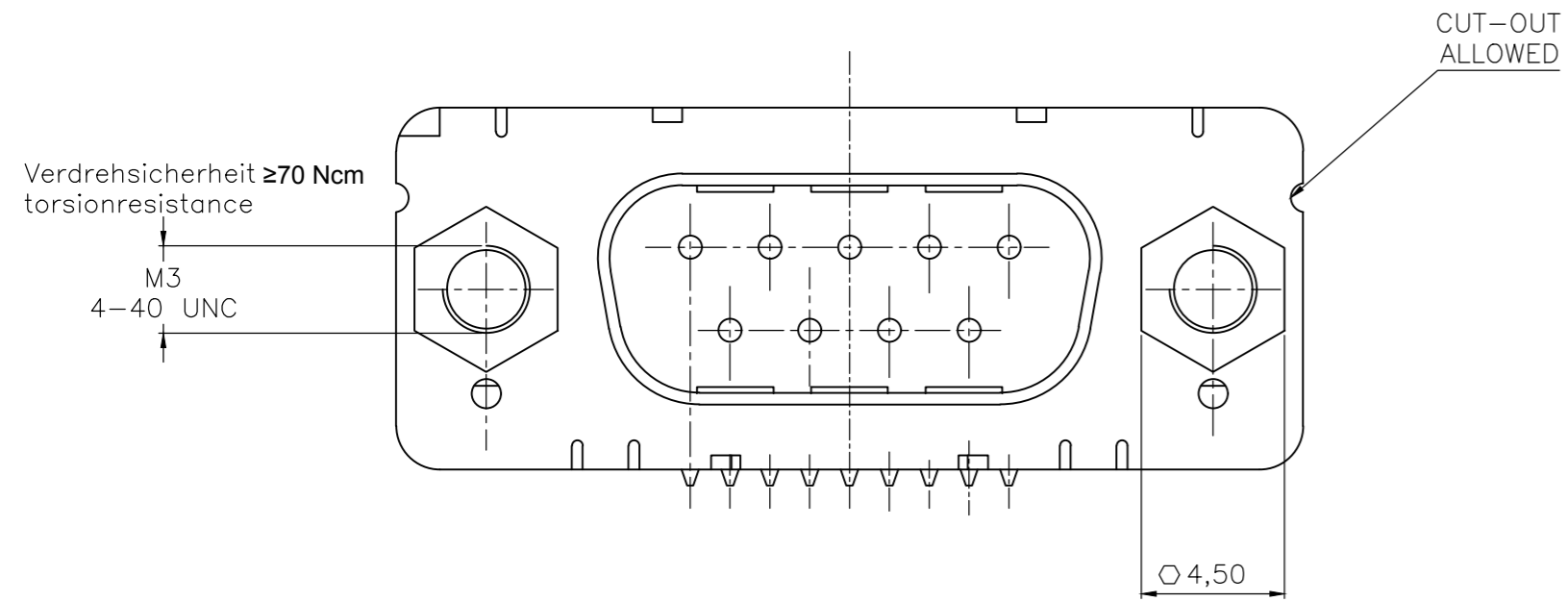
1) nach DIN 41652 T.2 und T.4  
 according to DIN 41652 T.2 and T.4

THIS DRAWING IS A CONTROLLED DOCUMENT. DIMENSIONING AND TOLERANCING PER ASME Y14.5M-2009		DWN GNANI JADAV A E	07JAN10			TE Connectivity	
DIMENSIONS: mm		CHK K.MALCZYK				NAME Sub-D 90° Lötanschluss Stiftheiste Einbauhöhe 3,6 mm D-Sub 90°solder version Pin connector mounting height 3,6 mm	
TOLERANCES UNLESS OTHERWISE SPECIFIED: 0 PLC ± - 1 PLC ± - 2 PLC ± - 3 PLC ± - 4 PLC ± - ANGLES ± -		APVD K.MALCZYK		PRODUCT SPEC		SIZE	RESTRICTED TO
MATERIAL		FINISH	WEIGHT 0	CAGE CODE A2 00779	DRAWING NO C=2-1393480-1	SCALE 2:1	SHEET 1 of 6
		CUSTOMER DRAWING		REV H			

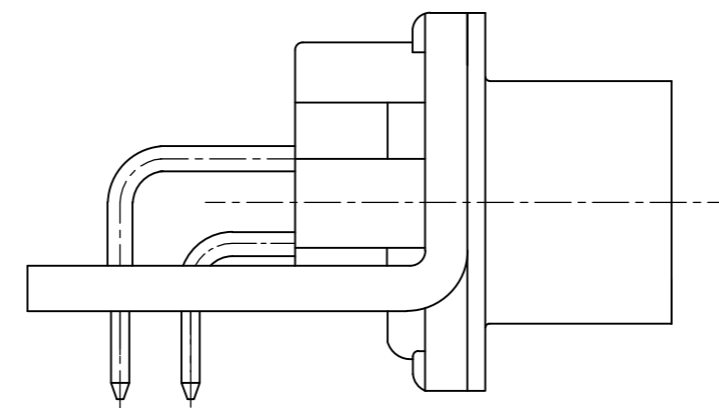
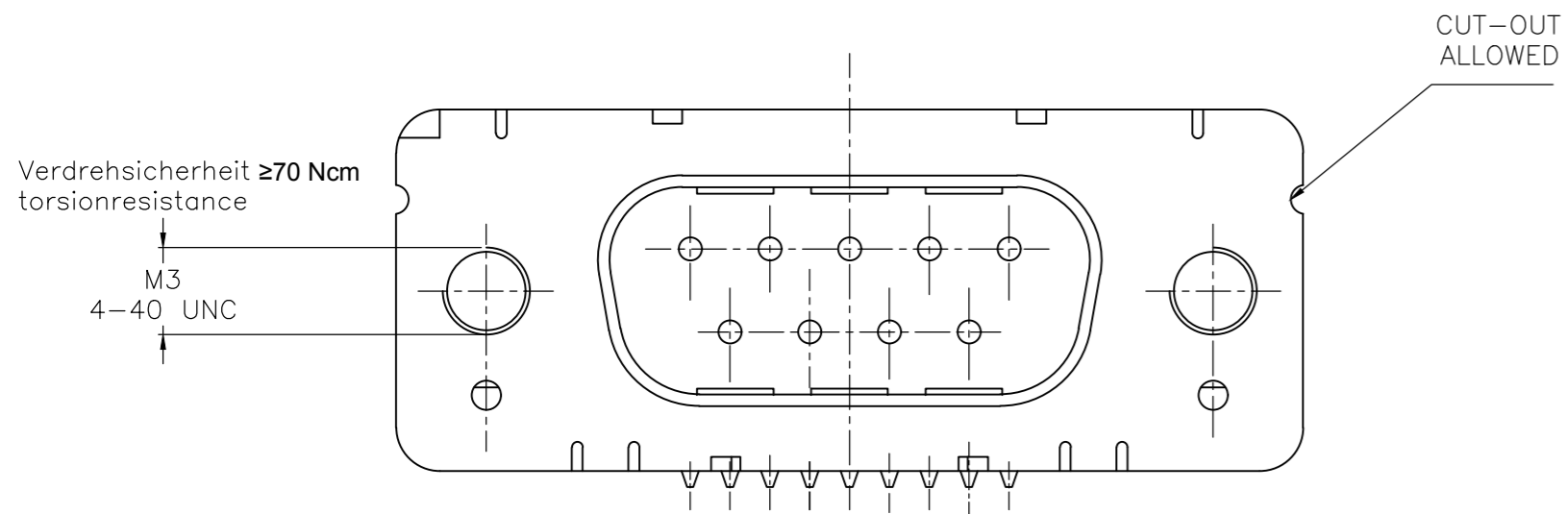
THIS DRAWING IS UNPUBLISHED. RELEASED FOR PUBLICATION  
 © COPYRIGHT - By - ALL RIGHTS RESERVED.

REVISIONS					
P	LTR	DESCRIPTION	DATE	DWN	APVD
-	-	SEE SHEET 1	-	-	-

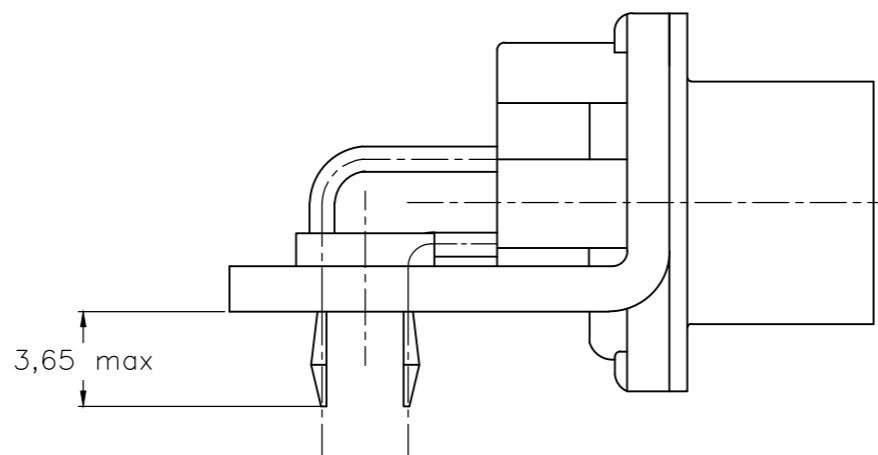
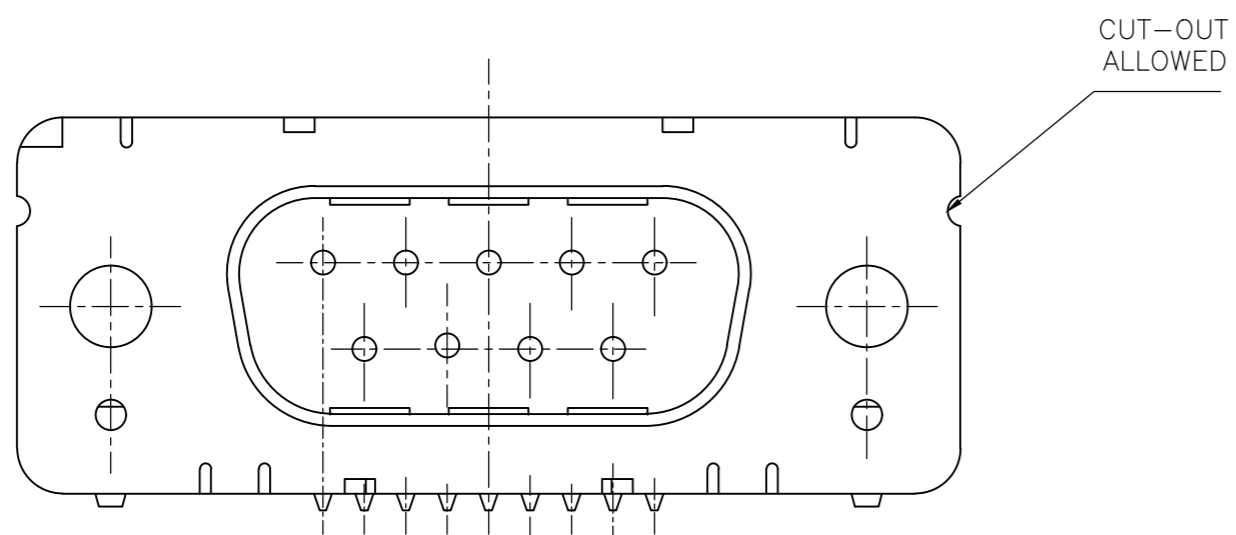
mit Gewindebolzen: M3 V23529-Bxx24-Cxxx-+  
 with thread lock 4-40 UNC V23529-Bxx25-Cxxx-+



mit Gewinde: M3 V23529-Bxx22-Cxxx-+  
 with thread 4-40 UNC V23529-Bxx23-Cxxx-+



mit Clipbefestigung: V23529-Bx22x-Cxxx-+  
 with snap-in



Mass Dimension	Polzahl n Number of contacts n			
	9	15	25	37
C	25	33,3	47,04	63,5
H	10,96	19,18	33,12	49,68
K	8,22	16,44	30,36	46,92
X	2,74	2,74	2,76	2,76
Y	2,54			

1) nach DIN 41652 T,2 UND T,4  
 according to DIN 41652 p,2 AND p,4

OLD PN: V23529-B\*\*\*\*-C\*\*\*-\*-7427

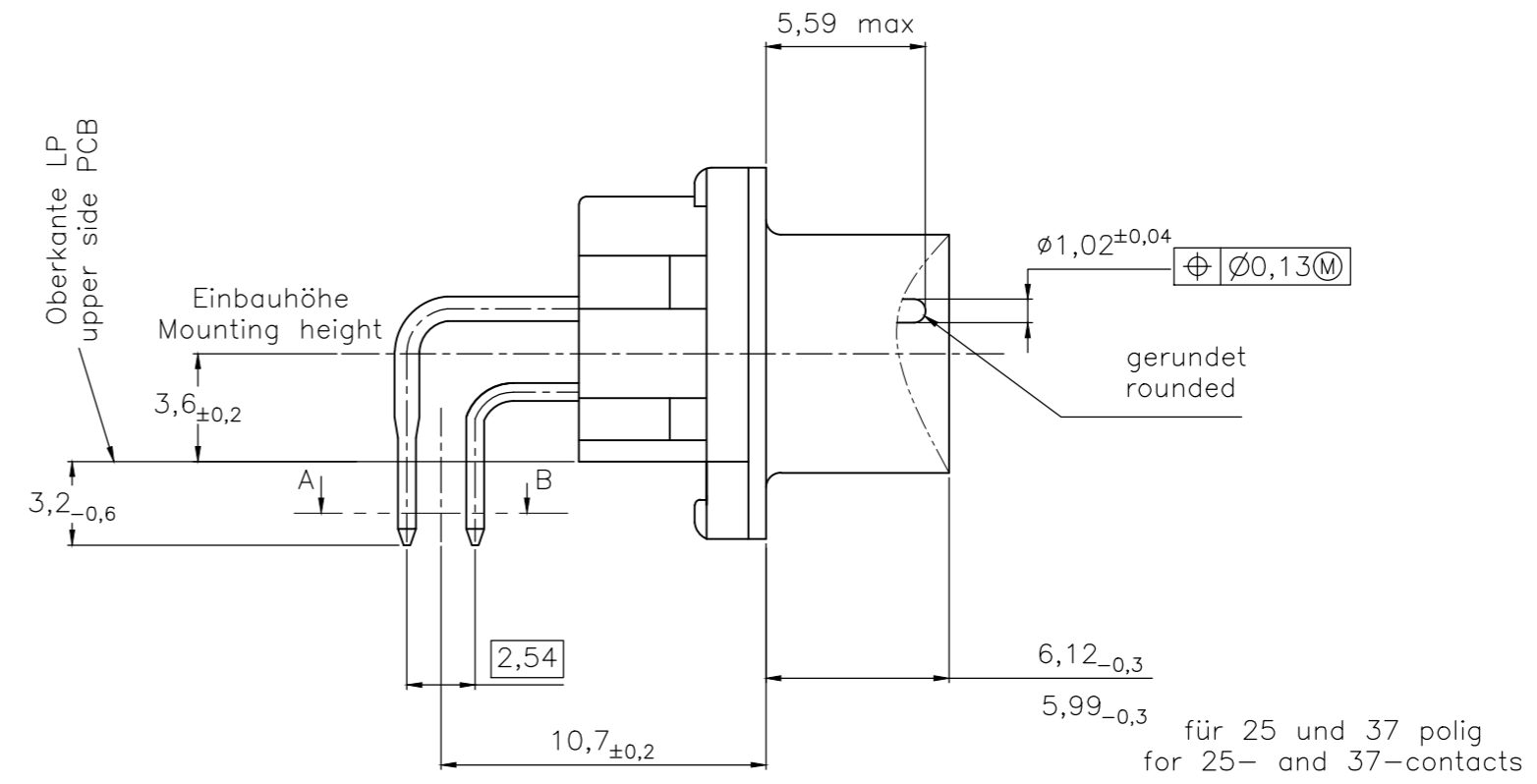
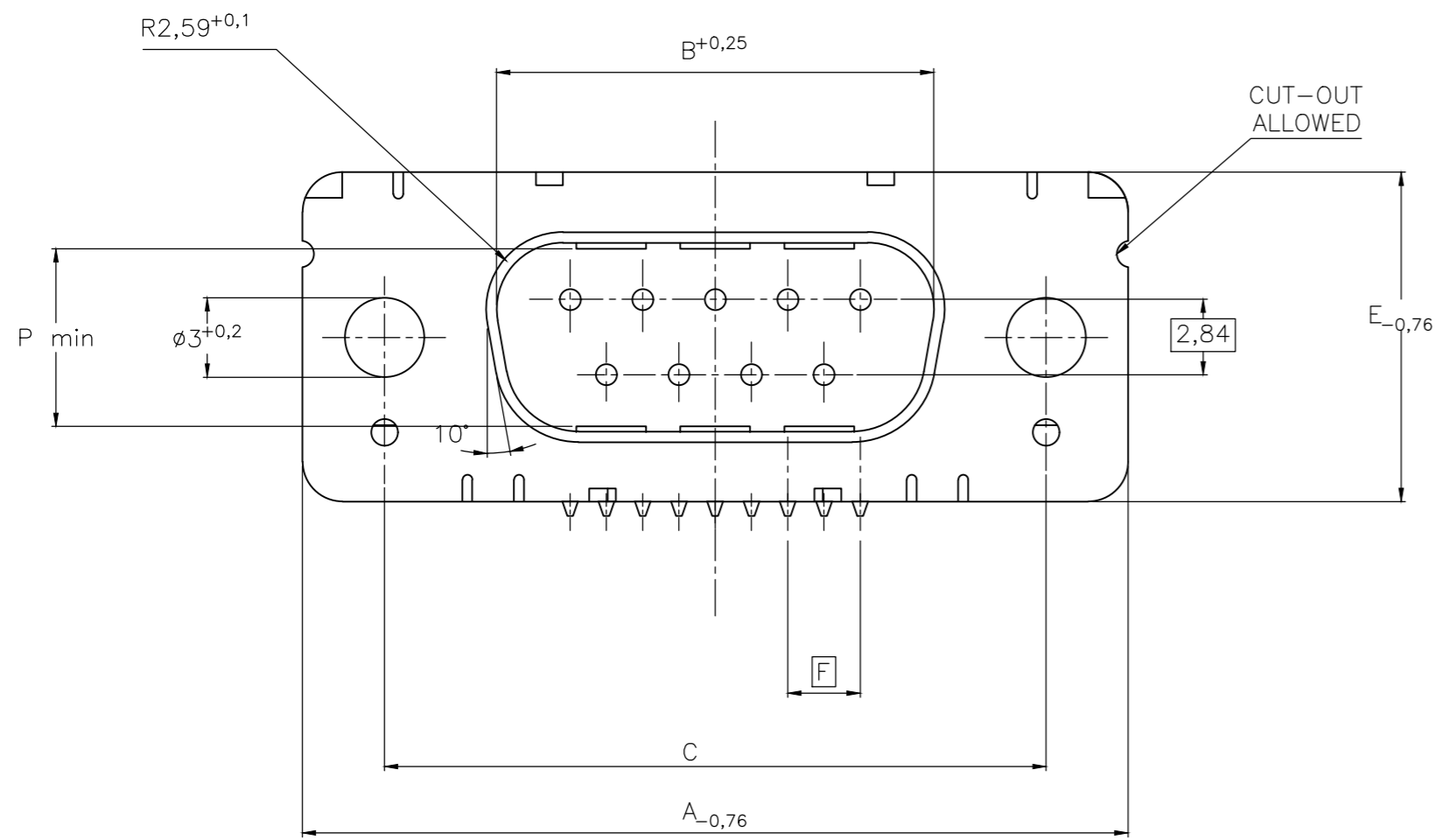
LP-Dicke 1,6±0,13mm, Loch 03,1+0,2  
 PC-board-thickness 1,6±0,13mm, Hole 03,1+0,2

THIS DRAWING IS A CONTROLLED DOCUMENT. DIMENSIONING AND TOLERANCING PER ASME Y14.5M-2009		DWN: GNANI JADAV A E CHK: K.MALCZYK APVD: K.MALCZYK	07JAN10			TE Connectivity	
DIMENSIONS: mm		TOLERANCES UNLESS OTHERWISE SPECIFIED:		NAME: Sub-D 90° Löttausführung Stiftleiste Einbauhöhe 3,6 mm D-Sub 90°solderversion Pin connector mounting height 3,6 mm		RESTRICTED TO	
MATERIAL: -		FINISH: -		APPLICATION SPEC: -		SCALE: 2:1	
WEIGHT: -		CUSTOMER DRAWING		SIZE: A2		SHEET: 2 of 6	
WEIGHT: -		CUSTOMER DRAWING		CAGE CODE: 00779		REV: H	
WEIGHT: -		CUSTOMER DRAWING		DRAWING NO: C=2-1393480-1		REV: H	

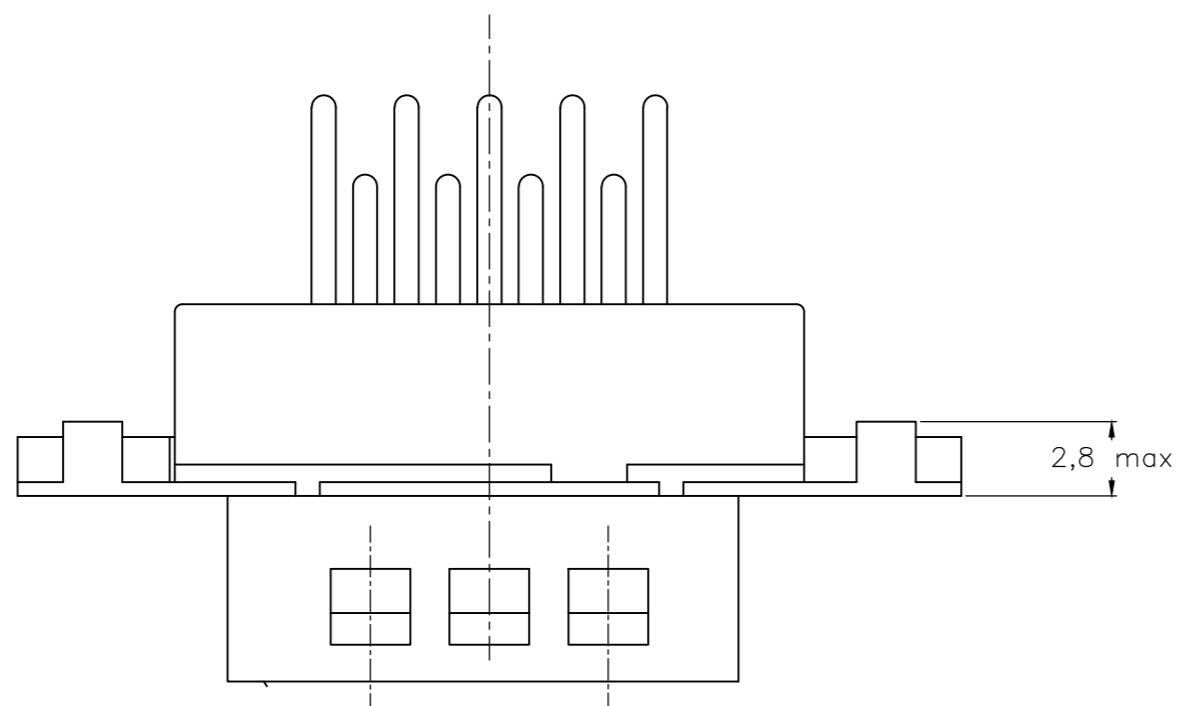
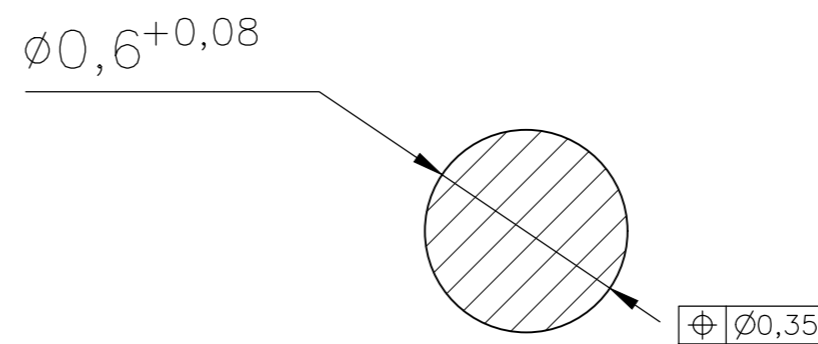
THIS DRAWING IS UNPUBLISHED. RELEASED FOR PUBLICATION  
 © COPYRIGHT - By - ALL RIGHTS RESERVED.

REVISIONS					
P	LTR	DESCRIPTION	DATE	DWN	APVD
-	-	SEE SHEET 1	-	-	-

Standardausführung ohne Winkel: V23529-B50x1-Cxxx-+  
 Standardversion without bracket



Schnitt AB des Lötanschlusses  
 Cross-section AB of solderpin (20:1)



Ordercode Sachnr	Contacts Polzahl	Mass/Dimension									
		A	B	C	D	E	F	M	N	P	
..-Cx09-+	09	31,19	16,79	25,0 <sup>+0,12</sup> <sub>-0,13</sub>	8,23	12,93	2,74	7,6	2	7,72	
..-Cx15-+	15	39,52	25,12	33,3 <sup>+0,15</sup> <sub>-0,1</sub>	8,23	12,93	2,74	15,2	4	7,69	
..-Cx25-+	25	53,42	38,84	47,04 <sup>+0,13</sup> <sub>-0,13</sub>	8,23	12,93	2,76	26,6	7	7,65	
..-Cx37-+	37	69,7	55,30	63,5 <sup>+0,13</sup> <sub>-0,13</sub>	8,23	12,93	2,76	41,8	11	7,65	

Anforderungsstufe/Performance level 1)

OLD PN: V23529-B\*\*\*\*-C\*\*\*-\*-7427

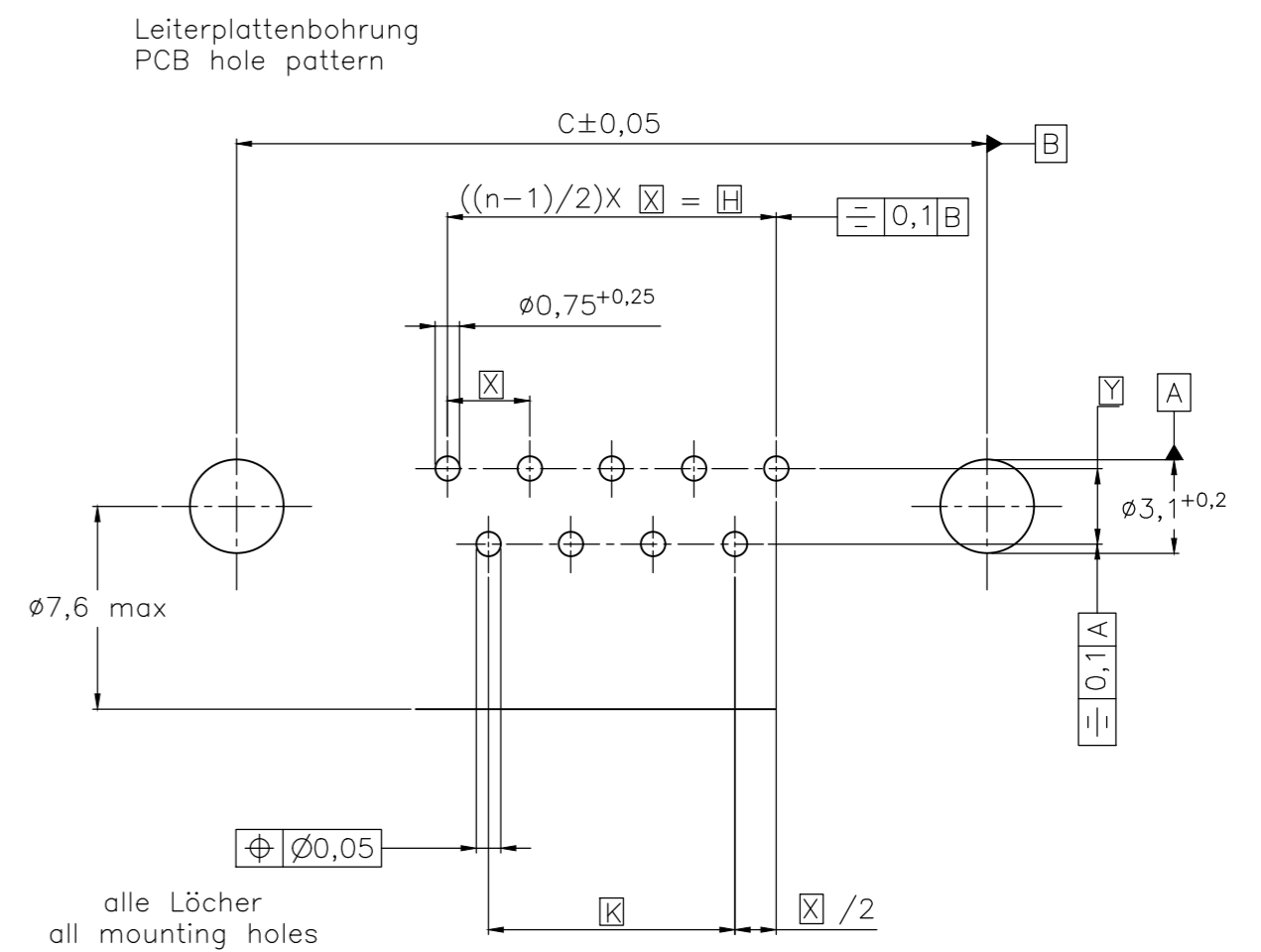
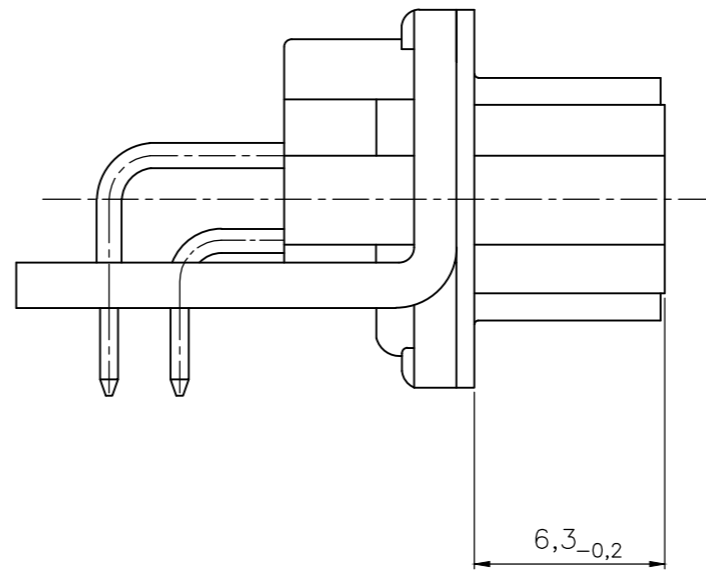
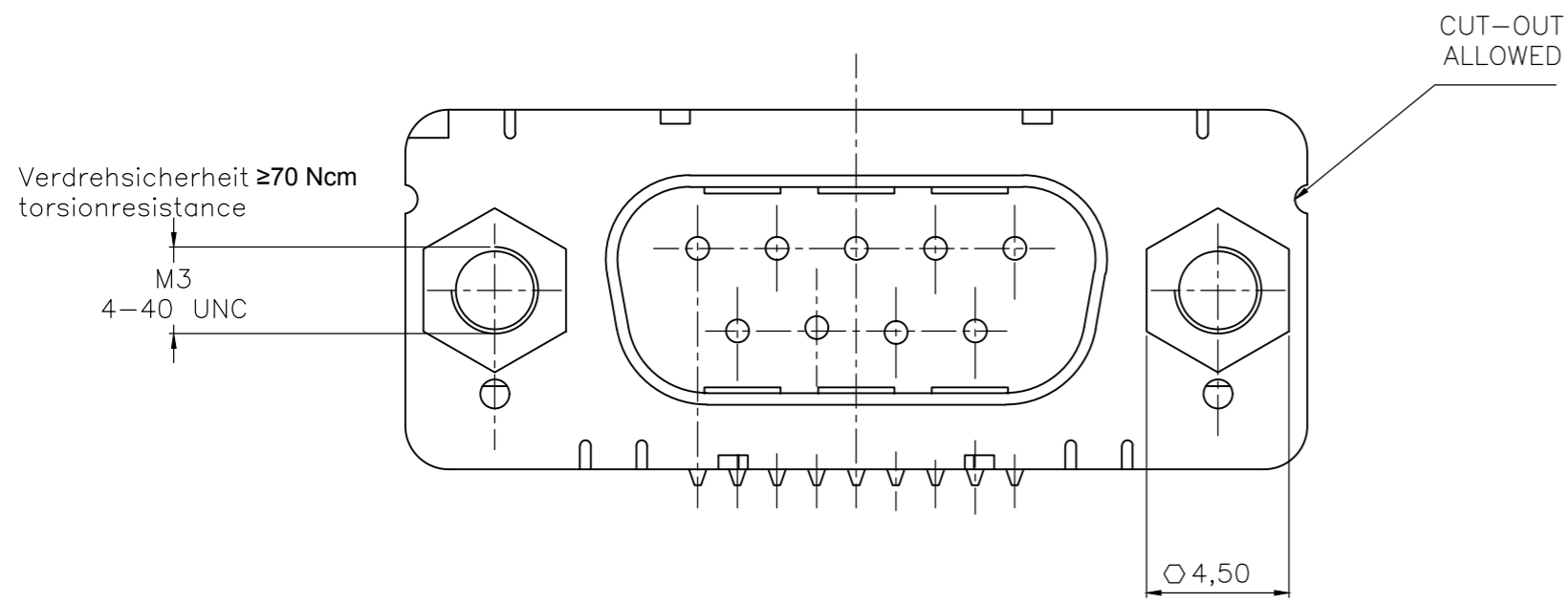
1) nach DIN 41652 T.2 und T.4  
 according to DIN 41652 T.2 and T.4

THIS DRAWING IS A CONTROLLED DOCUMENT. DIMENSIONING AND TOLERANCING PER ASME Y14.5M-2009		DWN 07JAN10 GNANI JADAV A E		
DIMENSIONS: mm		CHK K.MALCZYK		
TOLERANCES UNLESS OTHERWISE SPECIFIED:		APVD K.MALCZYK	NAME Sub-D 90° Lötanschluss Stiftleiste	
0 PLC ± -		PRODUCT SPEC -	Einbauhöhe 3,6 mm	
1 PLC ± -		APPLICATION SPEC -	D-Sub 90° solder version Pin connector	
2 PLC ± -		WEIGHT -	SIZE A2	RESTRICTED TO -
3 PLC ± -		CUSTOMER DRAWING	CAGE CODE 00779	DRAWING NO C=2-1393480-1
4 PLC ± -		SCALE 2:1	SHEET 3 of 6	REV H
ANGLES ± -				
FINISH -				

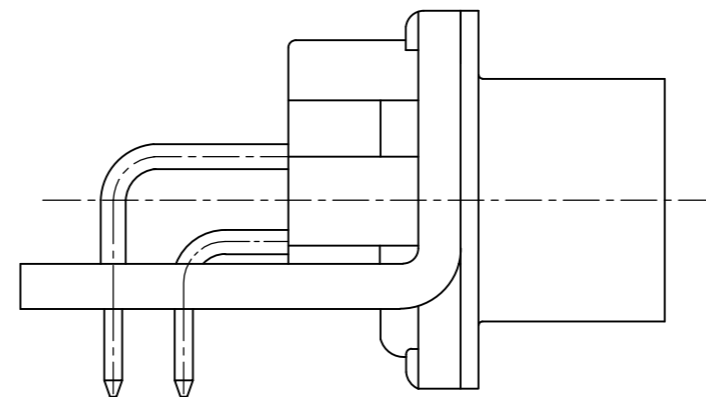
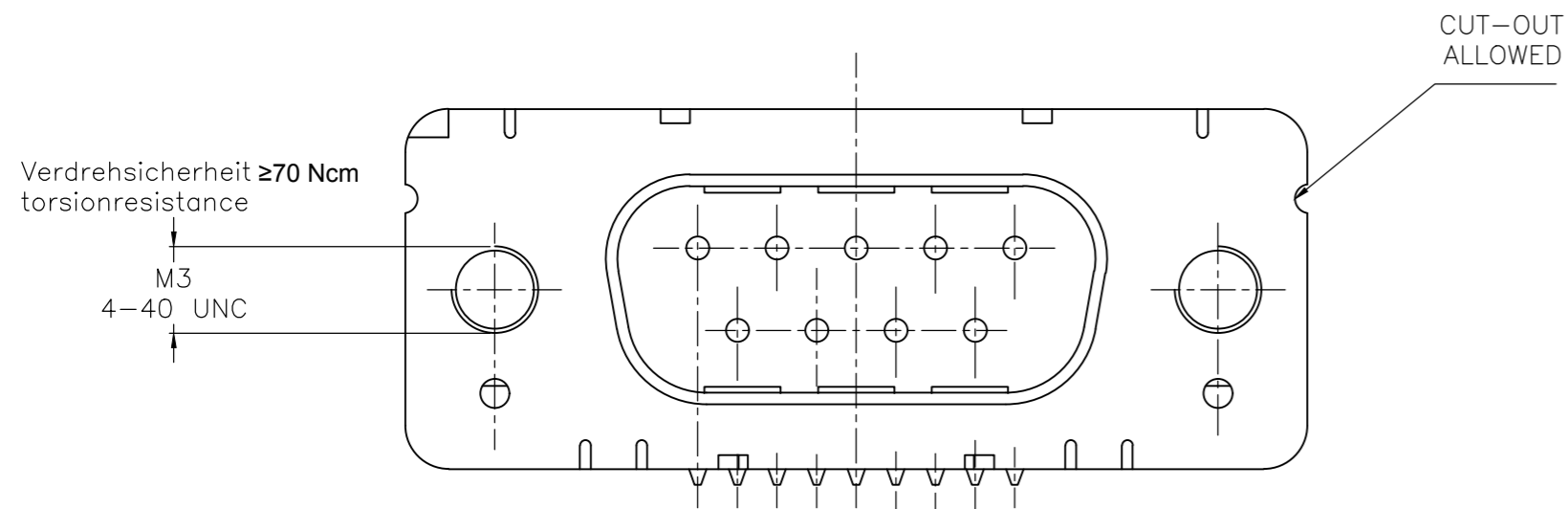
THIS DRAWING IS UNPUBLISHED. RELEASED FOR PUBLICATION  
 © COPYRIGHT - By - ALL RIGHTS RESERVED.

REVISIONS					
P	LTR	DESCRIPTION	DATE	DWN	APVD
-	-	SEE SHEET 1	-	-	-

mit Gewindebolzen: M3 V23529-B50x4-Cxxx-+  
 with thread lock 4-40 UNC V23529-B50x5-Cxxx-+



mit Gewinde: M3 V23529-B50x2-Cxxx-+  
 with thread 4-40 UNC V23529-B50x3-Cxxx-+



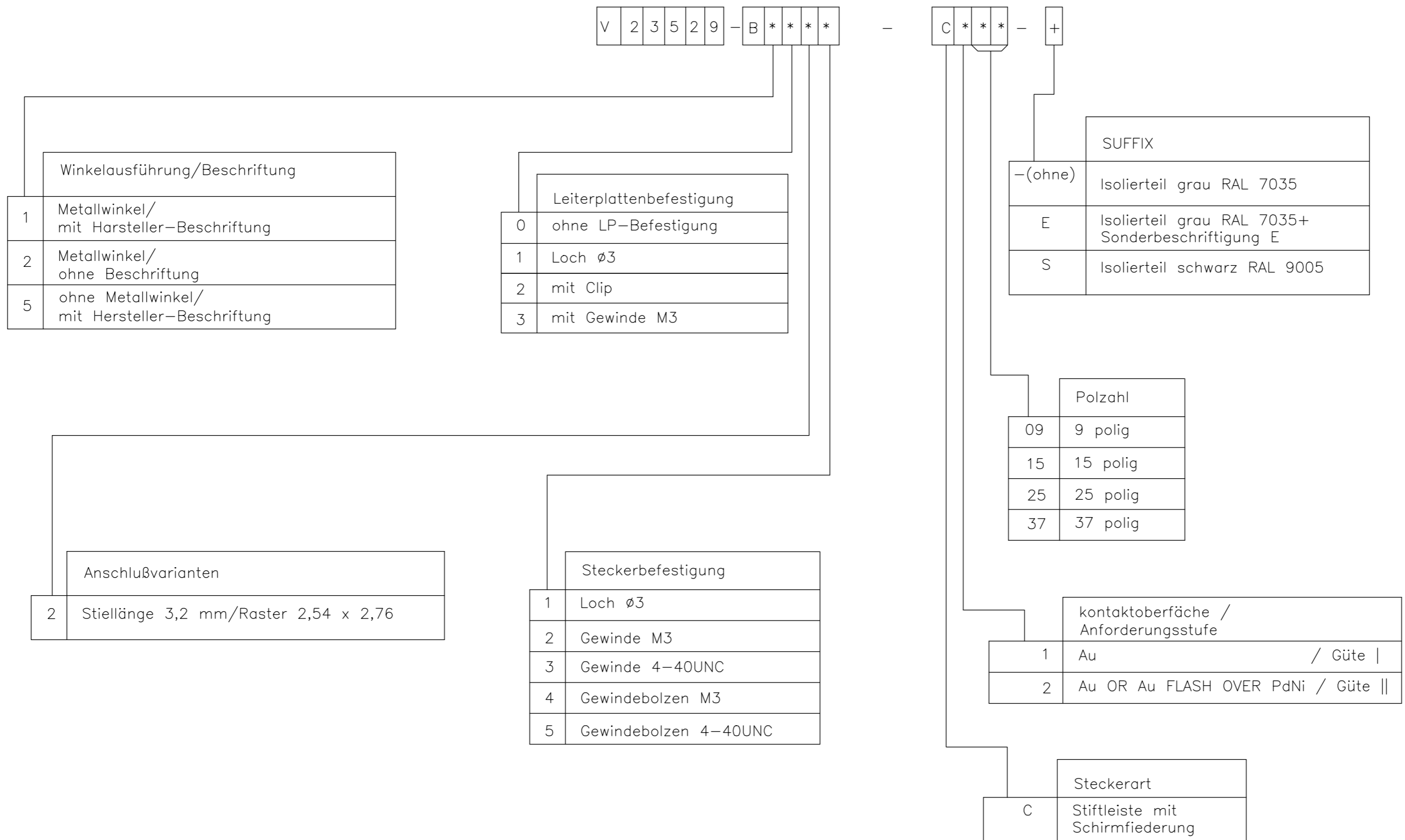
Mass Dimension	Polzahl n Number of contacts n			
	9	15	25	37
C	25	33,3	47,04	63,5
H	10,96	19,18	33,12	49,68
K	8,22	16,44	30,36	46,92
X	2,74	2,74	2,76	2,76
Y	2,54			

1) nach DIN 41652 T,2 UND T,4  
 according to DIN 41652 p,2 AND p,4

OLD PN: V23529-B\*\*\*\*-C\*\*\*-\*-7427

THIS DRAWING IS A CONTROLLED DOCUMENT. DIMENSIONING AND TOLERANCING PER ASME Y14.5M-2009		DWN 07JAN10 GNANI JADAV A E		
DIMENSIONS: mm		CHK K.MALCZYK		
TOLERANCES UNLESS OTHERWISE SPECIFIED:		APVD K.MALCZYK	Sub-D 90° Löt Ausführung Stiftleiste Einbauhöhe 3,6 mm D-Sub 90° solder version Pinconnector mounting height 3,6 mm	
0 PLC ± - 1 PLC ± - 2 PLC ± - 3 PLC ± - 4 PLC ± - ANGLES ± -		PRODUCT SPEC	SIZE	RESTRICTED TO
MATERIAL	FINISH	APPLICATION SPEC	CAGE CODE	DRAWING NO
-	-	WEIGHT	A2 00779	C=2-1393480-1
CUSTOMER DRAWING			SCALE	SHEET
			2:1	4 of 6
			REV	H

REVISIONS				
P	LTR	DESCRIPTION	DATE	APVD
-	-	SEE SHEET 1	-	-



1) nach DIN 41652 T.2 und T.4  
 according to DIN 41652 p.2 and p.4

OLD PN: V23529-B\*\*\*\*-C\*\*\*\*-7427

THIS DRAWING IS A CONTROLLED DOCUMENT. DIMENSIONING AND TOLERANCING PER ASME Y14.5M-2009		DWN GNANI JADAV A E	07JAN10	TE Connectivity	
DIMENSIONS: mm		CHK K.MALCZYK	APVD K.MALCZYK	NAME Sub-D 90° Löttausführung Stiftleiste Einbauhöhe 3,6 mm D-Sub 90°solder version Pin connector mounting height 3,6 mm	
		TOLERANCES UNLESS OTHERWISE SPECIFIED:		PRODUCT SPEC	
		0 PLC ± - 1 PLC ± - 2 PLC ± - 3 PLC ± - 4 PLC ± - ANGLES ± -		APPLICATION SPEC	
MATERIAL		FINISH		WEIGHT	
				SCALE 2:1 SHEET 5 of 6 REV H	
CUSTOMER DRAWING				SIZE CAGE CODE DRAWING NO RESTRICTED TO	
				A2 00779 C=2-1393480-1	

THIS DRAWING IS UNPUBLISHED. RELEASED FOR PUBLICATION  
 © COPYRIGHT - By - ALL RIGHTS RESERVED.

REVISIONS				
P	LTR	DESCRIPTION	DATE	APVD
-	-	SEE SHEET 1	-	-

Active part numbers. Contact TE CONNECTIVITY for other configuration availability

Old Part Number	TE CONNECTIVITY Part Number
V23529-B1121-C209	2-1393480-1
V23529-B1121-C215	2-1393480-2
V23529-B1121-C225	2-1393480-3
V23529-B1121-C237	2-1393480-4
V23529-B1122-C209	3-1393480-2
V23529-B1122-C215	3-1393480-3
V23529-B1122-C225	2-1392010-8
V23529-B1122-C237	3-1392010-6
V23529-B1123-C209	4-1393480-0
V23529-B1123-C215	4-1393480-1
V23529-B1123-C225	4-1393480-2
V23529-B1123-C237	4-1393480-3
V23529-B1125-C125	5-1393480-1
V23529-B1125-C209	5-1393480-2
V23529-B1125-C215	5-1393480-3
V23529-B1125-C225	5-1393480-4
V23529-B1125-C237	3-1392010-5
V23529-B1221-C109	5-1393480-8
V23529-B1221-C209	5-1393480-9

OBSOLETE  
 OBSOLETE  
 OBSOLETE  
 OBSOLETE  
 OBSOLETE


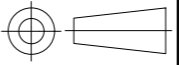
Old Part Number	TE CONNECTIVITY Part Number
V23529-B1221-C215	6-1393480-0
V23529-B1222-C209	7-1393480-4
V23529-B1222-C215	7-1393480-5
V23529-B1222-C225	7-1393480-6
V23529-B1222-C237	7-1393480-7
V23529-B1223-C209	8-1393480-5
V23529-B1223-C215	8-1393480-6
V23529-B1223-C225	8-1393480-7
V23529-B1223-C237	8-1393480-8
V23529-B1224-C209	9-1393480-4
V23529-B1224-C215	9-1393480-5
V23529-B1224-C225	9-1393480-6
V23529-B1225-C109	1393481-4
V23529-B1225-C209	1393481-5
V23529-B1225-C215	3-1392010-3
V23529-B1225-C225	1393481-6
V23529-B1225-C237	3-1392010-4
V23529-B2121-C209	1-1393481-0
V23529-B2221-C209	1-1393481-2

OBSOLETE  
 OBSOLETE  
 OBSOLETE  
 OBSOLETE

2173194-1 OBSOLETE

1) nach DIN 41652 T.2 und T.4  
 according to DIN 41652 p.2 and p.4

OLD PN: V23529-B\*\*\*\*-C\*\*\*-\*-7427

THIS DRAWING IS A CONTROLLED DOCUMENT. DIMENSIONING AND TOLERANCING PER ASME Y14.5M-2009		DWN 07JAN10 GNANI JADAV A E	 TE Connectivity	
DIMENSIONS: mm		CHK K.MALCZYK		
		APVD K.MALCZYK	Sub-D 90° LötAusführung Stifteleiste Einbauhöhe 3,6 mm D-Sub 90°solder version Pin connector mounting height 3,6 mm	
TOLERANCES UNLESS OTHERWISE SPECIFIED: 0 PLC ± - 1 PLC ± - 2 PLC ± - 3 PLC ± - 4 PLC ± - ANGLES ± -		PRODUCT SPEC	RESTRICTED TO	
MATERIAL	FINISH	APPLICATION SPEC	SIZE CAGE CODE DRAWING NO	
-	-	WEIGHT	A2 00779 C=2-1393480-1	
CUSTOMER DRAWING			SCALE 2:1 SHEET 6 of 6 REV H	