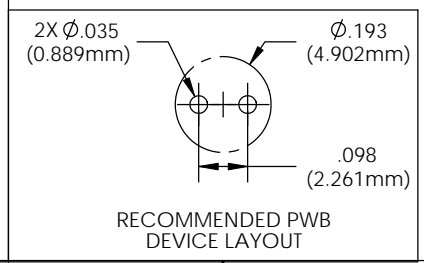
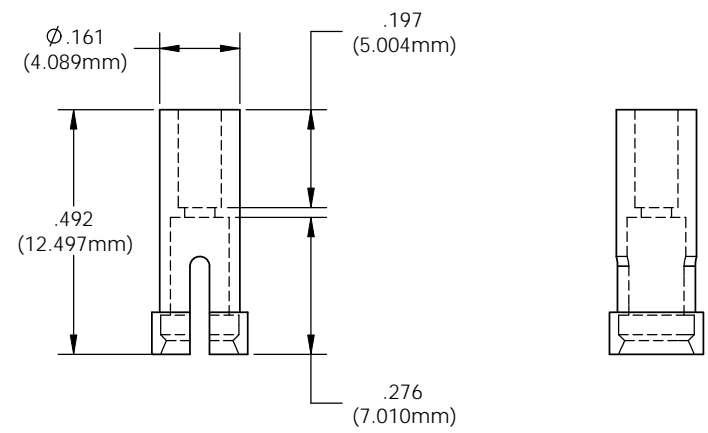
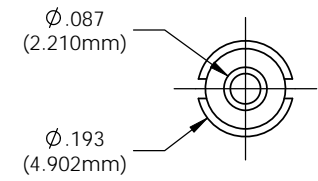
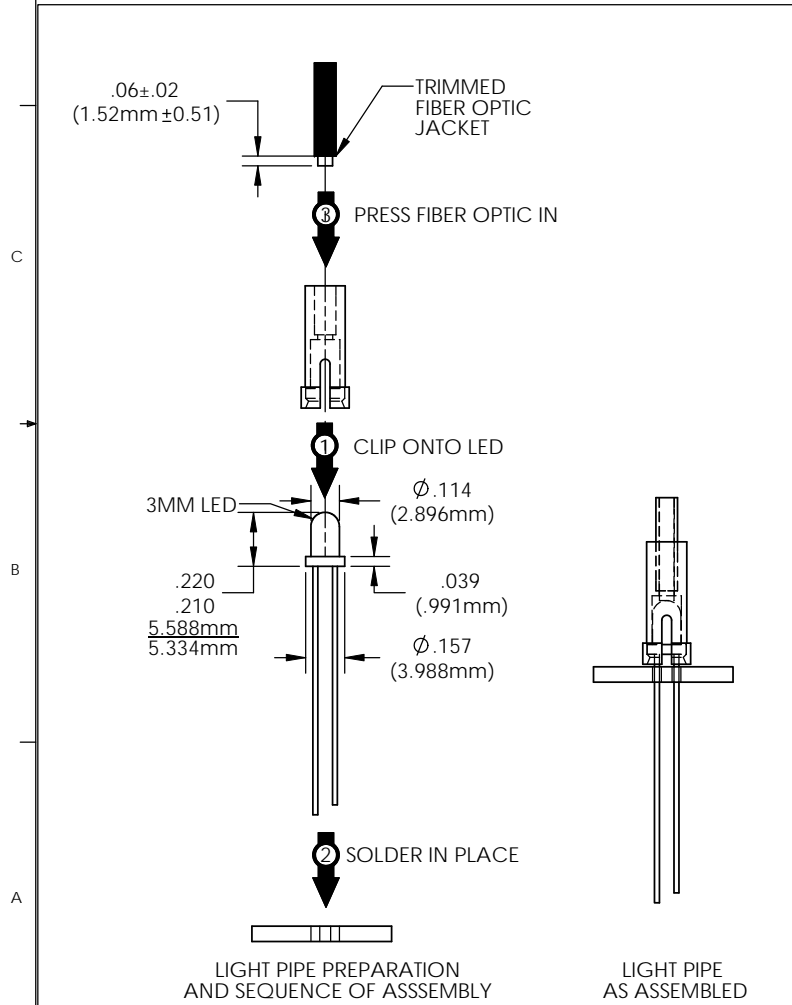


8 7 6 5 4 3 2 1

- NOTES
1. ROHS COMPLIANT.
 2. UL 94V-2 FLAMMABILITY RATING.
 3. -40°C TO 85°C OPERATING TEMPERATURE.
 4. SUITABLE FOR LIGHT PIPE WITH $\varnothing 2.2\text{MM}$ JACKET AND OPTICAL CORE NO GREATER THAN $\varnothing 1.5\text{MM}$.
 5. DO NOT WAVE SOLDER WITH THIS DEVICE.
 6. FOR BEST RESULTS USE ONLY NARROW VIEWING ANGLE NON-DIFFUSED LEDS WITH OUTPUT POWER GREATER THAN 100mcd.

REVISIONS				
ECN #	REV	DESCRIPTION	DATE	INITIALS
176	001	INITIAL RELEASE	8/3/10	KH
200	002	REVISED PER ECR 100610KH01	10/6/10	KH



<small>UNLESS OTHERWISE SPECIFIED DIMENSIONS ARE IN INCHES</small> ANGLES DECIMALS $\pm 1/2^\circ$.X $\pm .020$ FINISH .XX $\pm .010$.XXX $\pm .005$ 1.25 BREAK ALL CORNERS AND SHARP EDGES ON NEW	MATERIAL NYLON 6/6 UL 94-V2		VISUAL COMMUNICATIONS COMPANY, INC. 190 Bossick Boulevard, Suite 101 San Marcos, CA 92069 USA Phone (760) 560-1300 Fax (760) 560-1301 email vccsales@vccite.com		
	FINISH SEE NOTES		TITLE: THROUGH-HOLE LED MOUNT		
	APPROVAL DRAWN K.Howard CHECKED DPZ	DATE 8/3/10 8/10/10	SIZE B	DWG. NO. THR 22	REV 002
	DO NOT SCALE DRAWING		SCALE: 4:1	SHEET 1 OF 1	

8 7 6 5 4 3 2 1

Mouser Electronics

Authorized Distributor

Click to View Pricing, Inventory, Delivery & Lifecycle Information:

VCC:

THR 22 THR_22