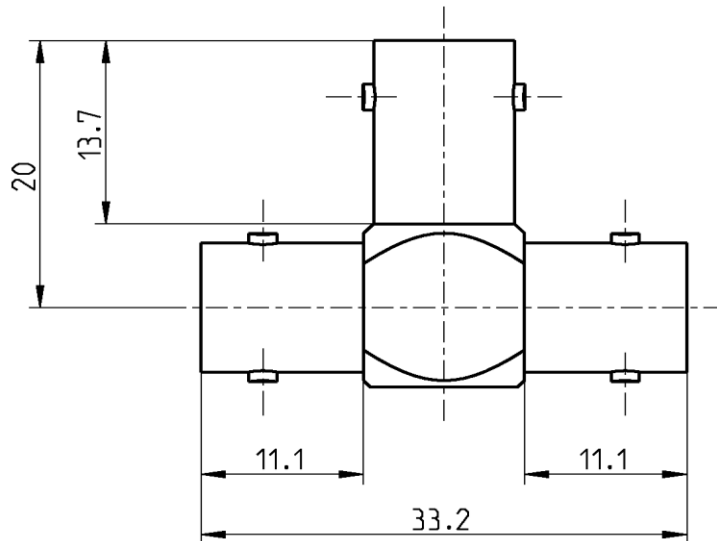
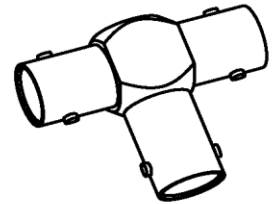


BNC 50 Ω Adaptor
Jack – Jack – Jack

51K301-K00N5



All dimensions are in mm; tolerances according to ISO 2768 m-H

Interface

According to DIN EN 61169-8

Documents

N/A

Material and plating

Connector parts

Center contact
Center contact
Outer contact
Body
Dielectric

Material

CuBe
Spring bronze
Brass
Brass
PTFE

Plating

AuroDur®, gold plated
AuroDur®, gold plated
Flash white bronze over silver(e.g. Optargen®)
Flash white bronze over silver(e.g. Optargen®)

Dieses Dokument ist urheberrechtlich geschützt • This document is protected by copyright • Rosenberger Hochfrequenztechnik GmbH & Co. KG

RFB00035/12.20/6.4

Technical Data Sheet

Rosenberger

BNC 50 Ω Adaptor
Jack – Jack – Jack

51K301-K00N5

Electrical data

Impedance	50 Ω
Frequency	DC to 10 GHz
Insulation resistance	$\geq 5 \times 10^3 \text{ M}\Omega$
Center contact resistance	$\leq 1.5 \text{ m}\Omega$
Outer contact resistance	$\leq 1 \text{ m}\Omega$
Test voltage	1500 V rms
Working voltage	400 V rms
Power handling (at 20 °C, sea level, VSWR 1.0)	$\leq 80 \text{ W @ 2 GHz}$

Mechanical data

Mating cycles	min. 500
Center contact captivation: axial	$\geq 15 \text{ N}$

Environmental data

Temperature range	-45°C to +85°C
Thermal shock	MIL-STD-202, Meth. 107, Cond. B
Corrosion	MIL-STD-202, Meth. 101, Cond. B
Vibration	MIL-STD-202, Meth. 204, Cond. B
Shock	MIL-STD-202, Meth. 213, Cond. G
Moisture resistance	MIL-STD-202, Meth. 106
RoHS	compliant

Tooling

N/A

Suitable cables

N/A

Weight

Weight 18 g/pce

While the information has been carefully compiled to the best of our knowledge, nothing is intended as representation or warranty on our part and no statement herein shall be construed as recommendation to infringe existing patents. In the effort to improve our products, we reserve the right to make changes judged to be necessary.

For the installation of the electrotechnical equipment, particular electrotechnical expertise is required.



Draft	Date	Approved	Date	Rev.	Engineering change number	Name	Date
Chr. Entfellner	10.07.08	Chr. Janßen	03.12.20	f00	20-1927	S. Huber-Siegl	03.12.20
Rosenberger Hochfrequenztechnik GmbH & Co. KG P.O.Box 1260 D-84526 Tittmoning Germany http://www.rosenberger.com/				Tel. : +49 8684 18-0 Email : info@rosenberger.com			Page 2 / 2

Mouser Electronics

Authorized Distributor

Click to View Pricing, Inventory, Delivery & Lifecycle Information:

[Rosenberger:](#)

[51K301-K00N5](#)