

Cutting tools for tubing

FESTO



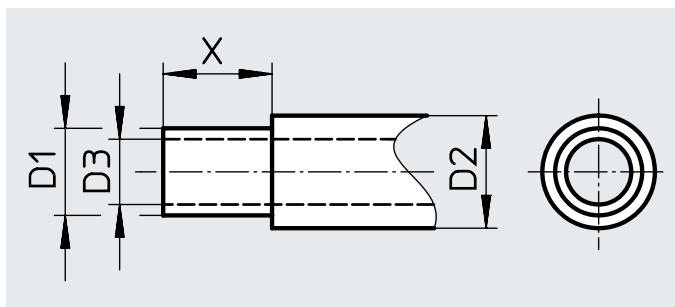
Data sheet

Tubing cutter PAN-VOS

For flame-retardant PAN-VO tubing

Note on materials:
RoHS-compliant

Colour: grey



Before the plastic tubing PAN-VO can be inserted into the push-in fitting QS-VO, the tubing's PVC sheath must be cut by length X.

The integrated stop in the tubing cutter PAN-VOS ensures that the sheath is always cut to the correct length X. The blade design prevents damage to the inner polyamide tubing.

Dimensions and ordering data								
Push-in connector QS-VO	D1 ∅	D2 ∅	D3 ∅	X	Weight [g]	Part no.	Type	
I.D. 4 mm	4	6	2.5	14.7±1	20	133180	PAN-VOS-4	
I.D. 6 mm	6	8	4	15.7±1	20	133181	PAN-VOS-6	
I.D. 8 mm	8	10	6	16.7±1	21	133182	PAN-VOS-8	
I.D. 10 mm	10	12	7.5	19.2±1	21	133183	PAN-VOS-10	
I.D. 12 mm	12	14	9	22.7±1	21	133184	PAN-VOS-12	

Disconnecting pliers ZDS

With blade for removing plastic tubing from barbed fittings.

Note on materials:
RoHS-compliant



Ordering data		
	Part no.	Type
for 3 mm tubing	9090	ZDS-PK-3
for 4 mm tubing	9522	ZDS-PK-4

Data sheet

Connecting pliers ZMS-PK-3/4

With blade for connecting plastic tubing to barbed fittings.

Note on materials:
RoHS-compliant



Ordering data	Part no.	Type
Connecting pliers	9341	ZMS-PK-3/4

Pipe cutter ZR

The pipe cutter ZR is used for cutting to length plastic piping PQ-PA with outside diameters of up to 28 mm. It is not suitable for tubing with metal casing.



Ordering data	Part no.	Type
Pipe cutter	194592	ZR

Pipe and tubing cutter ZRS

The pipe and tubing cutter ZRS is used for cutting to length plastic and nitrile rubber tubing with outside diameters of up to 20 mm, with or without textile insert. It is not suitable for tubing with metal casing. It also has an integrated retaining clip to prevent unauthorised opening.



Note on materials:
RoHS-compliant

Ordering data	Part no.	Type
Pipe and tubing cutter with 2 spare blades	7658	ZRS
10 spare blades for pipe and tubing cutter	218606	ZRS 10PACK