

Audible Signals - Intrinsically Safe ELECTRONIC SOUNDER



Intrinsically Safe > Electronic Sounder IS-S Series

Product overview

The IS electronic sounder has been approved for use in potentially explosive atmospheres for Group I (Mining) & Group II (Above Ground) applications and incorporates a high Ingress Protected IP66 enclosure.

This range is suitable for Fire, Security, Process Control and general signalling applications.

The sounder unit incorporates a Two stage alarm option and has a total of 32 selectable tones, selectable via a dip switch on the PCB and produces up to 105dB at 1 Meter.

A specially designed time saver base enables quick and easy installation of this unit with no extra cabling to be made to the head of the unit.

Connections are made to the base during the initial wiring phase which results in a faster more reliable installation. The sounder head simply twists & clicks into the pre-fixed base on commissioning avoiding any additional wiring & connections. Further details can be found on the installation sheet

This unit must be used in conjunction with an approved Zener Barrier or Galvanic Isolator. See page 2 for further information & ordering details.

Features/Certifications

- Approved by ATEX, IECEx
- Group I MI Ex ia I Ma
- Group II IGD Ex ia IIC T6 Ga Ex ia IIIC T85°C Da
- Zones 0, 1, 2, 20, 21 & 22
- Conforms to:
EN 60079-0:2012 + All:2013 (IEC 60079-0:2011)
EN-60079-11:2012 + (IEC 60079-11:2011)
- Diode Polarised & End of line resistor compatible
- White version available MOQ apply
- Dustproof & Weatherproof

IS-S Series > Ordering Information

Code No:	Voltage:	Tones:	Current:
IS-S-02	24v Dc ---	32	33mA

Kg 0.33

°C -40+55

IP 66

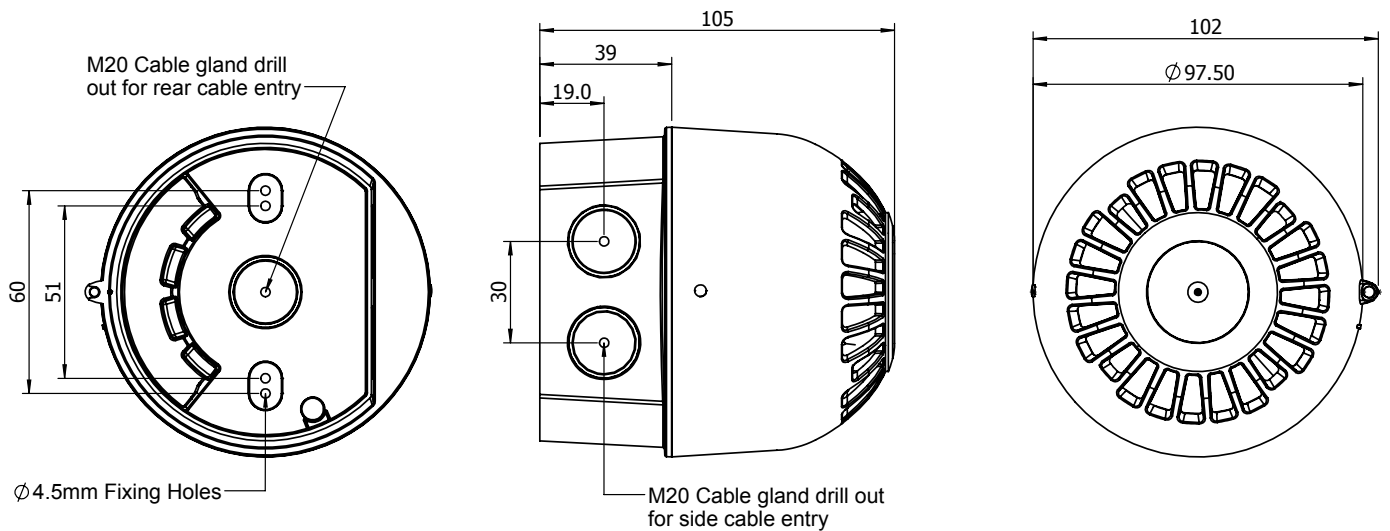
INDUSTRIAL

MARINE

FIRE

APPROVALS and
CONFORMITIES





Intrinsically Safe > Electronic Sounder IS-S Series

General Information

EX CODE:	Ex ia I Ma, Ex ia IIC T6 Ga, Ex ia IIIC T85C Da
CERTIFICATION:	ATEX (EMT17ATEX0011X) IECEx (EMT 17.0004X)
TYPE:	Electronic Sounder
SOUNDER:	2 Stage alarm with 32 Selectable tones
POWER RATING:	0.66 Watts via a suitable barrier
SOUND OUTPUT:	Up to 105 dB at 1 meter (Tone 18)
AMBIENT TEMPERATURE:	-40°C to +55°C
HUMIDITY:	>90% at 20°C

Mechanical Specifications

MATERIAL:	Flame Retardant Polycarbonate UL94 V2
ENCLOSURE COLOUR:	RED as standard White with a 90 off MOQ
WEIGHT:	0.33 Kg / 0.73 lb
DIMENSIONS:	Length: 104mm x 97.5mm / 4.09" x 3.84"
INGRESS PROTECTION:	IP 66

Electrical Specifications

POWER SUPPLY:	The unit must be powered via an approved Zener Barrier or Galvanic Isolator whose characteristics do not exceed U_o: 28v, I_o: 93mA, P_o: 660mW, Ci: 0, Li 0 The minimum value of U _o should not drop below 23.6v and the minimum value of I _o should not drop below 50mA.
TERMINATION:	0.55mm up to 2.5mm
CABLE ENTRY:	3 x M20.

Accessories

50224:	M20 Nylon Cable Gland >IP66 Cable OD 6-12mm
MTL7728+	Zener Barrier
MTL7778AC	Zener Barrier with Reverse Polarity