

NOTES:

1. MATERIAL

HOUSING : PBT, GLASS FILLED, UL RATED 94V-0, BLACK
 FRONT SHELL: CARBON STEEL
 CONTACTS, BOARDLOCKS AND INSERTS: BRASS

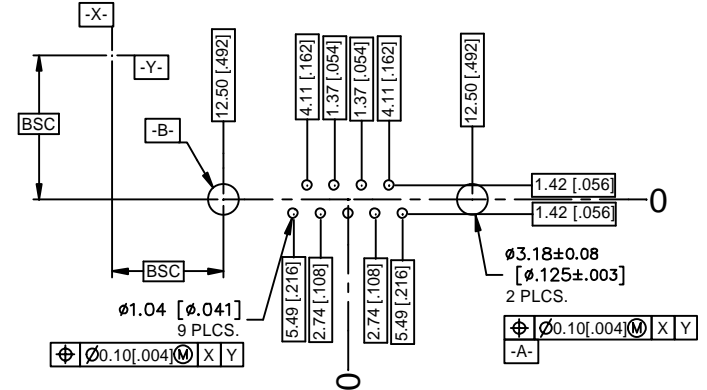
2. FINISH

FRONT SHELL: TIN PLATED.
 CONTACTS: GOLD FLASH IN MATING AREA OVER 2.54 um [.000100] MIN
 NICKEL ON ENTIRE CONTACT AREA.
 TIN PLATING ON SOLDER TAILS,
 BOARDLOCKS AND INSERTS: TIN PLATED

3. ELECTRICAL SPECIFICATION:

17-30 OHMS AT 30 MHz. TYP.
 22-37 OHMS AT 50 MHz. TYP.
 29-40 OHMS AT 100 MHz. TYP.

4. SCI, 56F404-001 AND DATE CODE MARKED ON THIS SURFACE.

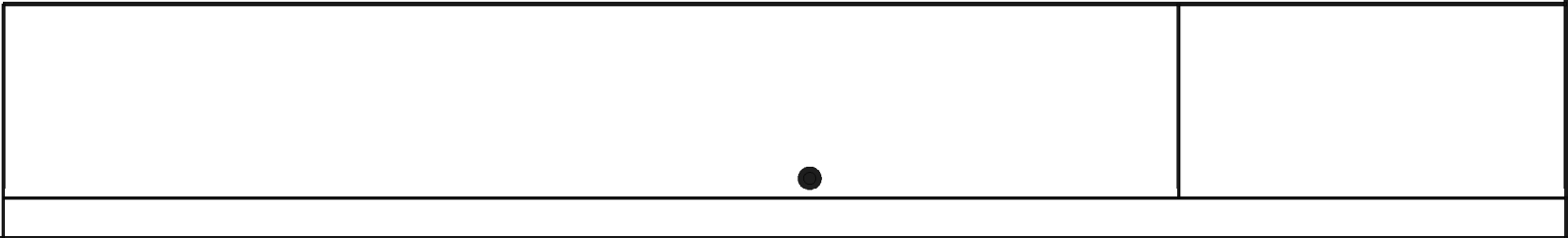
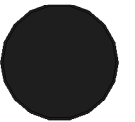
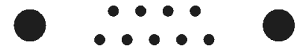


P.C. BOARD MOUNTING DIMENSIONS



																				03	02	01	00	REV. NO.	UNLESS OTHERWISE SPECIFIED DIMENSIONS ARE IN MILLIMETERS. [INCHES] DO NOT SCALE.	TOLERANCES UNLESS OTHERWISE SPECIFIED Dec. .x ± 0.3 [.012] Dec. .xx ± 0.13 [.005] Dec. .xxx ± Angles ±	SPECTRUM CONTROL INC. Dwn. P. Wells Date 05-16-07 Engr. D. Henry Sheet 1 of 1	FAIRVIEW PENNSYLVANIA RECEPTACLE ASSEMBLY 9 POSITION, RIGHT ANGLE 56F404-001		
																				CN 34787-CPD	CN 30315-CPD	CN 29381-CPD	CN 17537-CPD	CHANGE NOTICE					THIRD ANGLE PROJECTION	CODE IDENT. NO. 0LSP2

Quality Products From The Specialists In Electro-Magnetic Compatibility



Mouser Electronics

Authorized Distributor

Click to View Pricing, Inventory, Delivery & Lifecycle Information:

[API Technologies:](#)

[56F404-001](#)