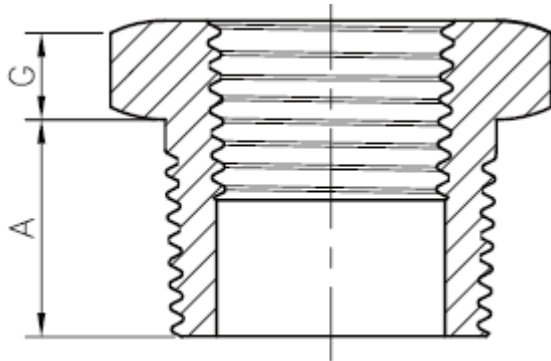
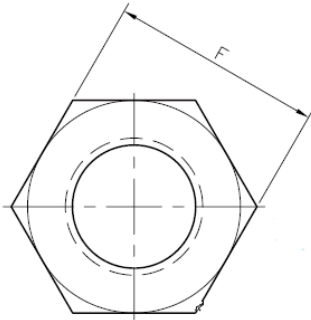


# Datasheet

## TM11- Hex Head Bushing



SIZE		A(Min)		F		G(Min)	
DN	NPS	mm	in	mm	in	mm	in
8	1/4"	11	0.43	16	0.63	3	0.12
10	3/8"	13	0.51	18	0.71	4	0.16
15	1/2"	14	0.55	22	0.87	5	0.2
20	3/4"	16	0.63	27	1.06	6	0.24
25	1"	19	0.75	36	1.42	6	0.24
32	1-1/4"	21	0.83	46	1.81	7	0.28
40	1-1/2"	21	0.83	50	1.97	8	0.31
50	2"	22	0.87	65	2.56	9	0.35
65	2-1/2"	27	1.06	75	2.95	10	0.39
80	3"	28	1.1	90	3.54	10	0.39
100	4"	32	1.26	115	4.53	13	0.51