

5

4

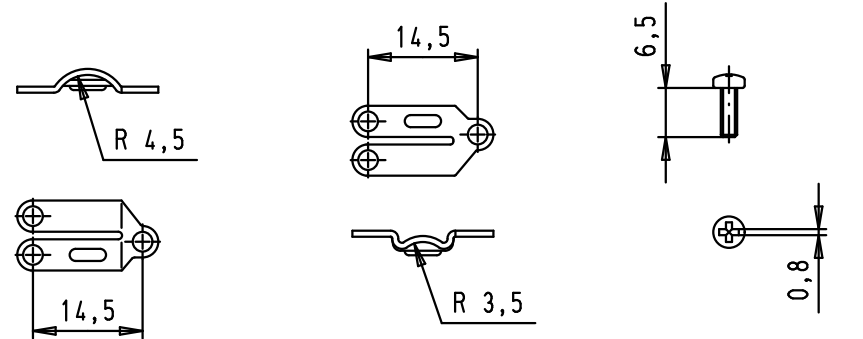
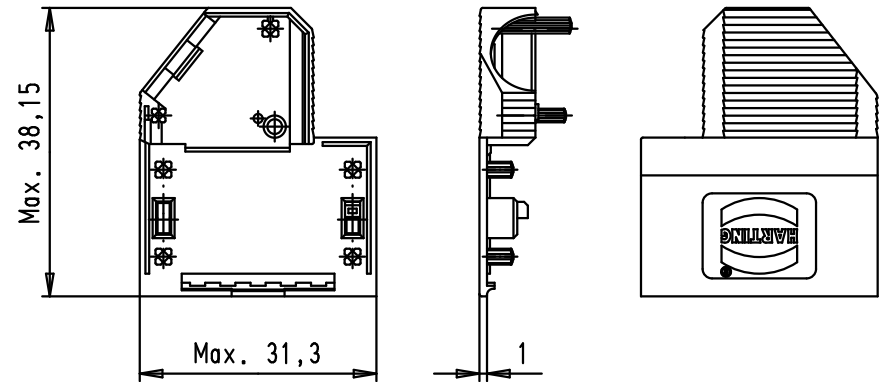
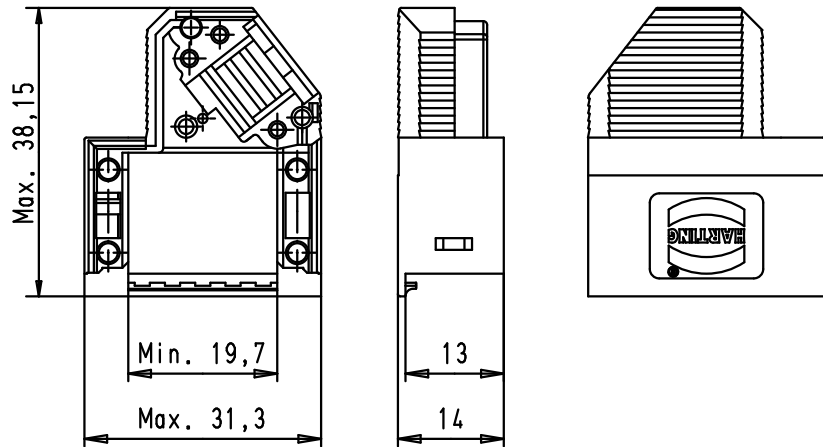
3

2

1

Hood lower part

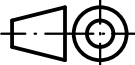

Hood upper part



Strain relief 1

Strain relief 2

Flathead screws

			Dot.	Name	 All Dim. in mm Orig. Size DIN A 4	D-Sub hoods 09 poles not shielded	Maßstab/ Scale 1:1	
			Detail.	27/02/03				SH
			Insp.					
			Stand.					
EC01696	19/04/10	SC	HARTING EURL F-95972 Paris				TB 09 67 009 0571	Blatt/ Page 1 / 1
34793	11/01/08	PK						
31392	27/02/03	SH						
Mod.	Dot.	Name				Sub.		

D

C

B

A

Mouser Electronics

Authorized Distributor

Click to View Pricing, Inventory, Delivery & Lifecycle Information:

[HARTING:](#)

[09670090571](#)