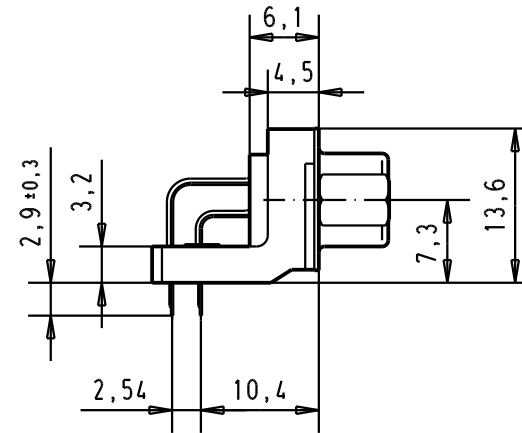
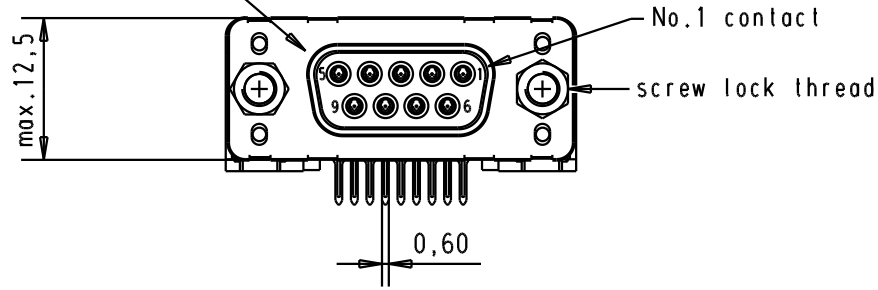
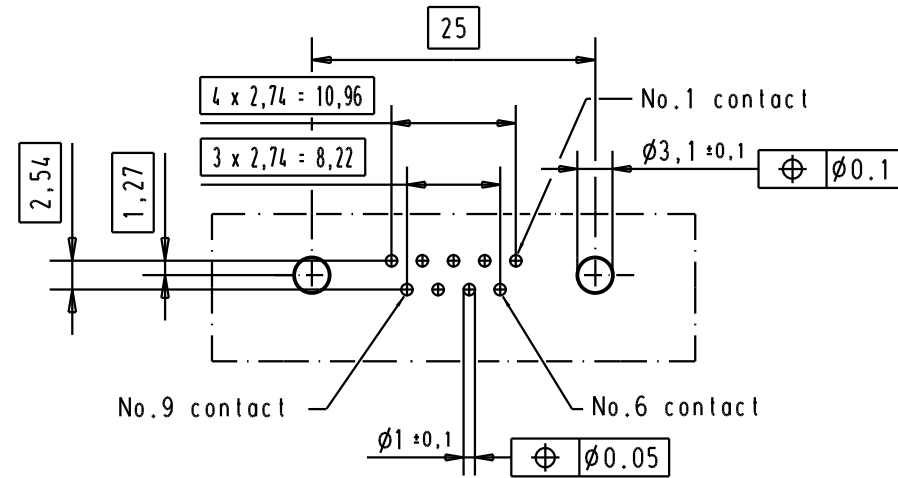
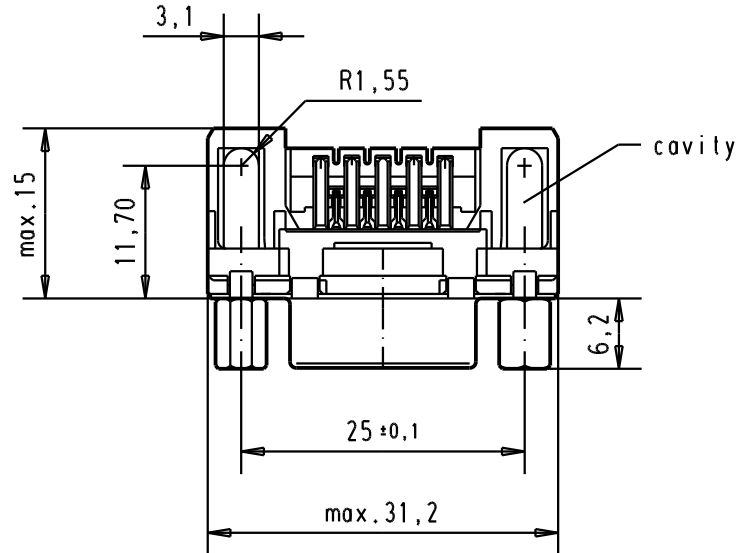




Mating face according to : MIL-C-24308 / DIN 41652 / CECC 75301-802



Printed board layout component side



A

						Dat.	Name	 All Dim. in mm Orig. Size DIN A 4	D-Sub 09 poles standard angle female, solder pin with screw lock and hole	Maßstab/ Scale 1.5:1	
						Detail.	27/nov/00				ALSPACE
						Insp.					
09 66 112 3603	4-40 UNC	1	31892	05/05/04	JH	Stand.					
09 66 112 6603	4-40 UNC	2	29773	18-APR-02	CV	HARTING EURL F-95972 Paris					
09 66 112 7603	4-40 UNC	3	27960	27/nov/00	ALSPACE						
Part number	Screw lock thread	Performance level	Mod.	Dat.	Name				TB 0966112x60x Sub.	Blatt/ Page 3	

Mouser Electronics

Authorized Distributor

Click to View Pricing, Inventory, Delivery & Lifecycle Information:

[HARTING:](#)

[09661126603](#) [09661127603](#)